



# SERVICE INSTRUCTION

SI-33-01  
Revision 0

## Strobe Light Connections

### SUBJECT / REASON / DESCRIPTION:

This Service Instruction provides instructions for checking and rewiring the strobe power supply connections to the wing tip flash tubes.

Wires 0511 and 0510 may have been "pinned" incorrectly. The strobes will function correctly, however the flash tube life expectancy may be reduced.

### COMPLIANCE:

Compliance is optional

### EFFECTIVITY:

All FBA-2C1 & 2C2 aircraft  
FBA-2C3 SN 300 to 310.

### APPROVAL:

This modification has been approved by FAC Engineering and TCCA where applicable.

### MANPOWER REQUIREMENTS:

It is estimated this modification will take an experienced mechanic approximately 1-hour to complete including time necessary to open, and close the aircraft.

## WARRANTY

This Service Bulletin is covered under warranty up to the maximum number of man-hours indicated in the Manpower Requirement section upon submission of a Warranty Claim Form to FAC Customer Service (fax 705-378-4240).

## SPECIAL TOOLS / EQUIPMENT:

None

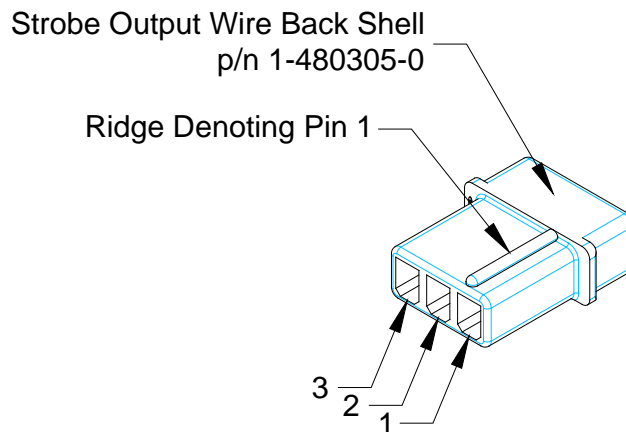
## PARTS LIST (BILL OF MATERIALS):

## WEIGHT & BALANCE:

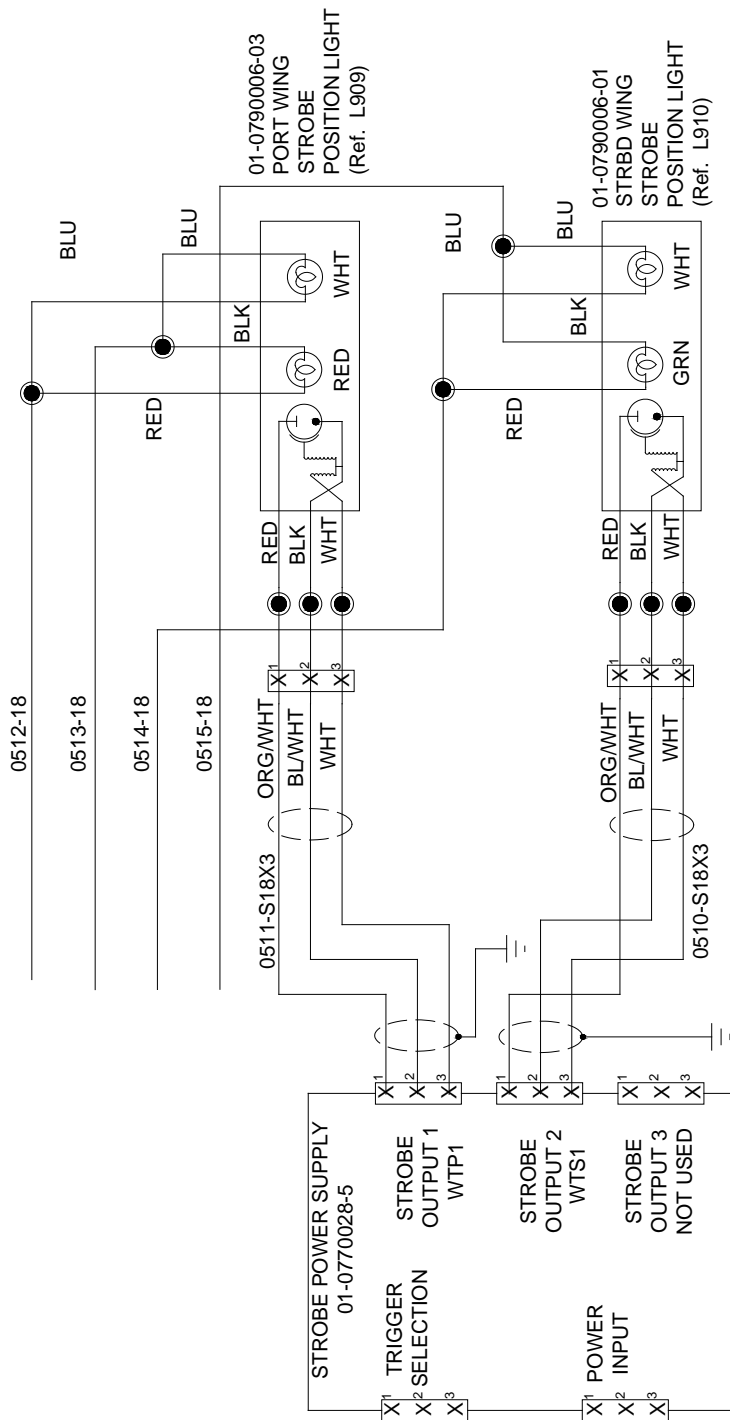
## DRAWINGS/MANUALS:

## INSTRUCTIONS:

1. Remove port aft interior cabin roof liner to gain access to the strobe power supply.
2. The strobe output wires, (0510 & 0511), are connected to "ALT", (i.e. they are connected to outputs 1 & 2).
3. Verify that the 18 AWG shielded cables are connected as follows: Org/Wht = 1, Blu/Wht = 2 and Wht = 3. Note, the #1 pin is denoted by a raised ridge on the back shell and/or by an embossed "1", see Figure 1.
4. If not, remove wires from the "Commercial "Mate n Lok" back shell and re-pin as required. Refer to Figure 2 below for correct wiring.
5. Service Hint: A very small "jeweler's" standard screw driver may be used to release the "catch tang" of the pins.
6. Reconnect the wires and function the system.
7. Reinstall the port aft cabin roof liner.



**Figure 1 Strobe Power Output Wires Back Shell**



**Figure 2 Strobe Output Connections**

**LOG BOOK CERTIFICATION:**

Make an appropriate entry indicating Service Instruction SI-33-01 Rev 0 accomplished, strobe connections checked.