



SERVICE INSTRUCTION

SI-32-06
Revision 0

TITLE: Cantilever Step Installation

SUBJECT / REASON / DESCRIPTION:

Aircraft equipped with floats may be outfitted with either a long or short step. The long step requires an additional 4th strut for support. The short step is installed using a reinforced step extrusion and does not require the 4th strut.

The purpose of this service instruction is to convert from the long step installation to the short step installation.

COMPLIANCE:

Compliance is optional.

EFFECTIVITY:

All FBA-2C1 and FBA-2C2 aircraft equipped with:
Aerocet 3400, 3500, or 3500L floats
Wipaïre 3450 floats

APPROVAL:

This modification has been approved by FAC Engineering and TCCA where applicable.

MANPOWER REQUIREMENTS:

It is estimated that the modification will take approximately 3 hours. This excludes labor necessary to open and close the aircraft, and work is performed by experienced personnel.

SPECIAL TOOLS / EQUIPMENT:

N/A.

Found Aircraft Canada Inc.

R.R.#2, 95 Airport Rd., Parry Sound, Ontario, Canada, P2A 2W8
T (705) 378-0530 F (705) 378-0594

www.foundair.com

SI-32-06 Rev 0

17 Jul 2006

Page 1 of 8

PARTS LIST (BILL OF MATERIALS):

Kit **FAC-SI-32-06A Rev 0**. Kit for aircraft equipped with **AEROCET** floats.
Cost of kit available upon request.

P/N	Description	QTY
U1089	Step Reinforcement	2
Q503	Step Assy (Port)	1
Q504	Step Assy (Stbd)	1
245-162	Plug	4
AN4-7A	Bolt	2

Kit **FAC-SI-32-06B Rev 0**. Kit for aircraft equipped with **WIPAIRE** floats.
Cost of kit available upon request.

P/N	Description	QTY
U1089	Step Reinforcement	2
Q501	Step Assy (Port)	1
Q502	Step Assy (Stbd)	1
U929	Spacer	2
AN3-26A	Bolt	2
AN960-10	Washer	2
MS21042-3	Nut	2

WEIGHT & BALANCE:

Aircraft Equipped with AEROCET floats:

Removal of original steps	Weight = 12 lbs.	Arm = 21"
Removal of step struts	Weight = 4 lbs.	Arm = 60"
Installation of new steps	Weight = 13 lbs.	Arm = 21"

Aircraft Equipped with WIPAIRE floats:

Removal of original steps	Weight = 15 lbs.	Arm = 21"
Removal of step struts	Weight = 4 lbs.	Arm = 60"
Installation of new steps	Weight = 14 lbs.	Arm = 21"

DRAWINGS/MANUALS:

N/A

Found Aircraft Canada Inc.

R.R.#2, 95 Airport Rd., Parry Sound, Ontario, Canada, P2A 2W8
T (705) 378-0530 F (705) 378-0594

www.foundair.com

SI-32-06 Rev 0

17 Jul 2006

Page 2 of 8

IMPLEMENTATION INSTRUCTIONS:

Aircraft Equipped with Aerocet Floats.

1. Remove port and starboard steps – see Figure 1. Retain spacers installed at forward struts. The steps will not be used again. Retain hardware.
2. Remove Step Strut, port and starboard – see Figure 1 & 2. Retain hardware. Struts will not be used.
3. Remove Step Strut Bracket (U913 and U914), port and starboard – see Figure 2.
4. Locate steps, Q503 and Q504, on struts and mark hole locations for diagonal and aft strut mounting holes.
5. Drill mounting and access holes in steps – see Figure 3.
6. Touch up exposed metal edges with primer and paint.
7. Install steps – see Figure 3.
8. If aircraft is equipped with Aerocet 3400 Amphibious floats, reinstall hydraulic line cover plates as shown in Figure 4.
9. Complete the enclosed letter of confirmation and return via Fax or mail to FAC after implementation of service instruction.

Aircraft Equipped with Wipaire Floats.

1. Remove port and starboard steps – see Figure 1. The steps will not be used again. Retain hardware.
2. Remove Step Strut, port and starboard – see Figure 1 & 2. Struts and hardware will not be used.
3. Remove Step Strut Bracket (U913 and U914), port and starboard – see Figure 2.
4. Locate steps, Q501 and Q502 on struts and mark hole locations for diagonal and aft strut mounting holes.
5. Drill mounting and access holes in steps – see Figure 5.
6. Touch up exposed metal edges with primer and paint.
7. Install steps – see Figure 5.
8. Complete the enclosed letter of confirmation and return via Fax or mail to FAC after implementation of service instruction.

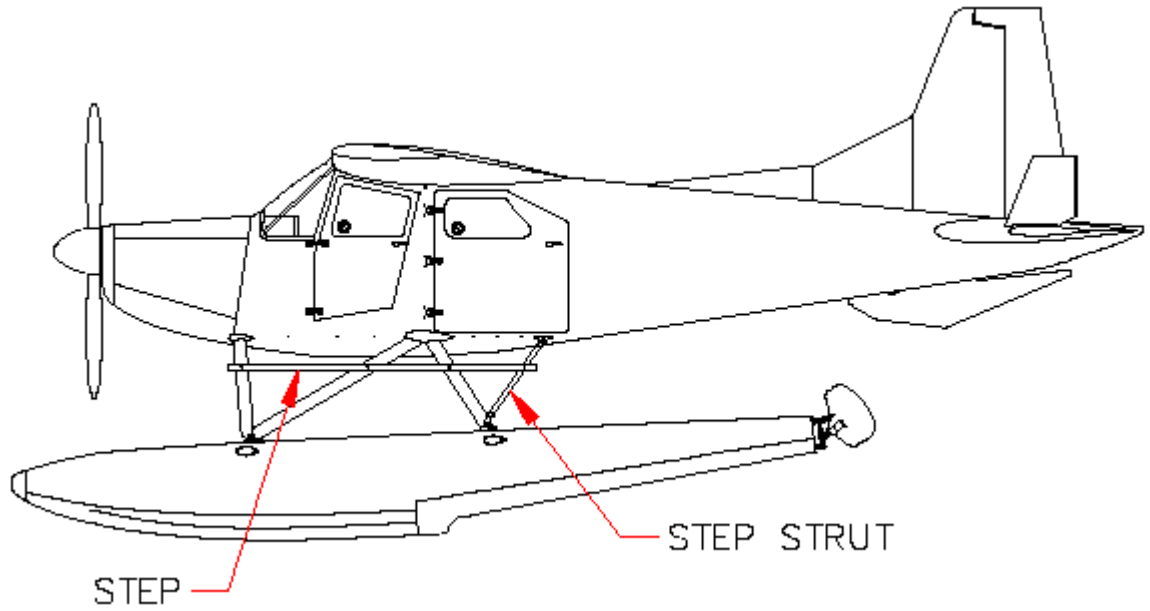


Figure 1

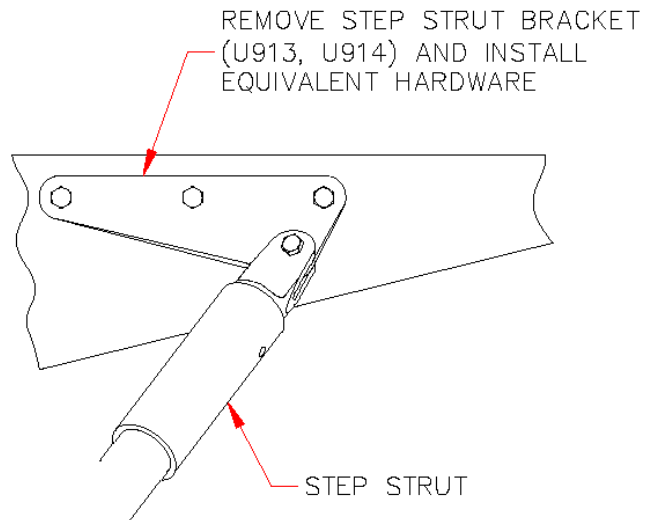


Figure 2

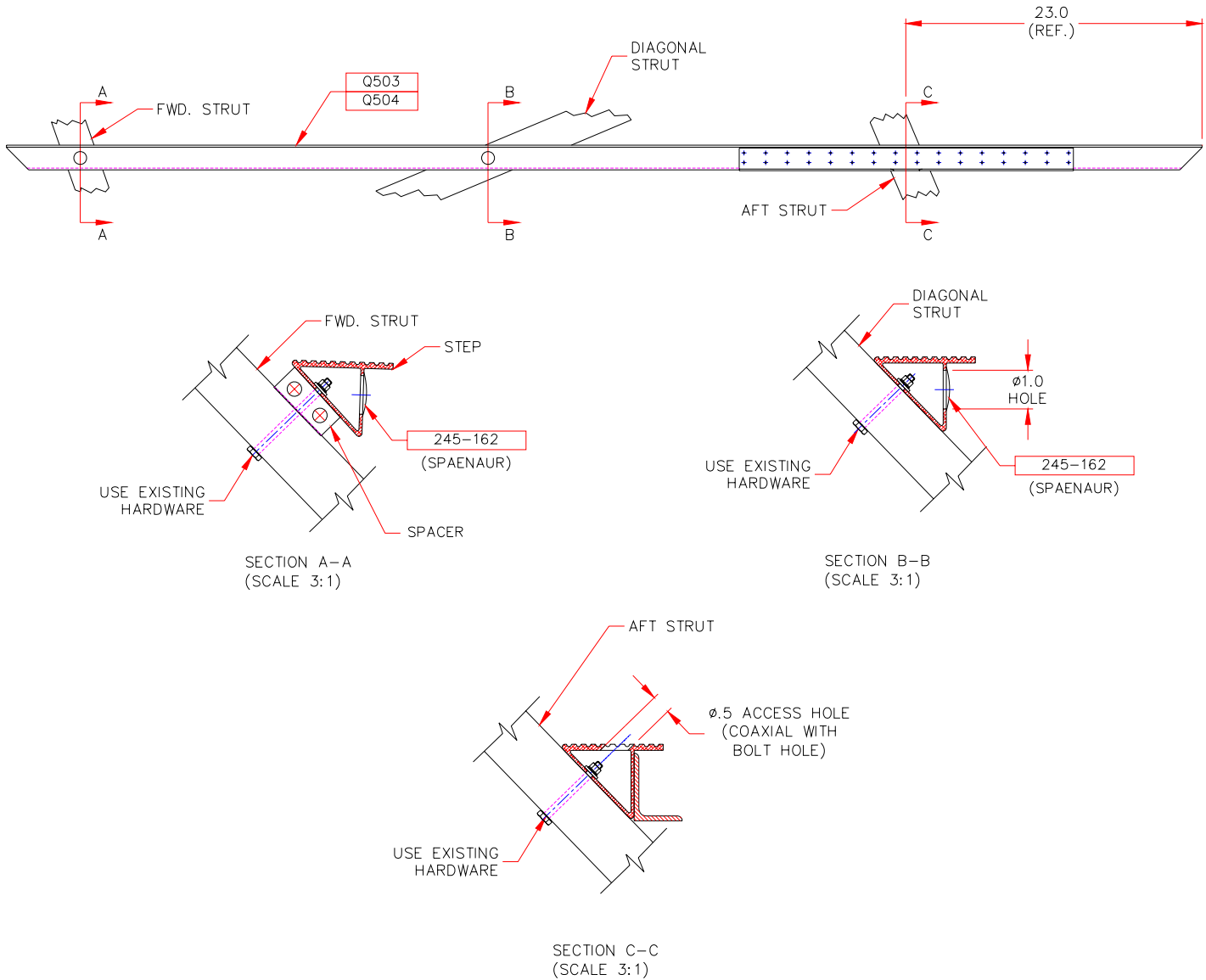


Figure 3
(Aerocet Float Step)

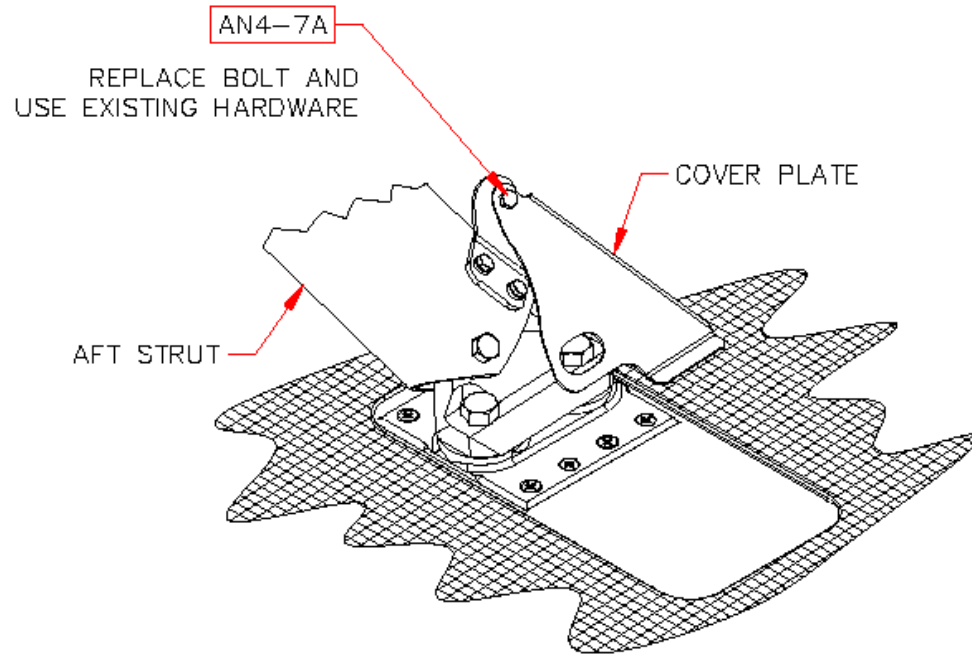
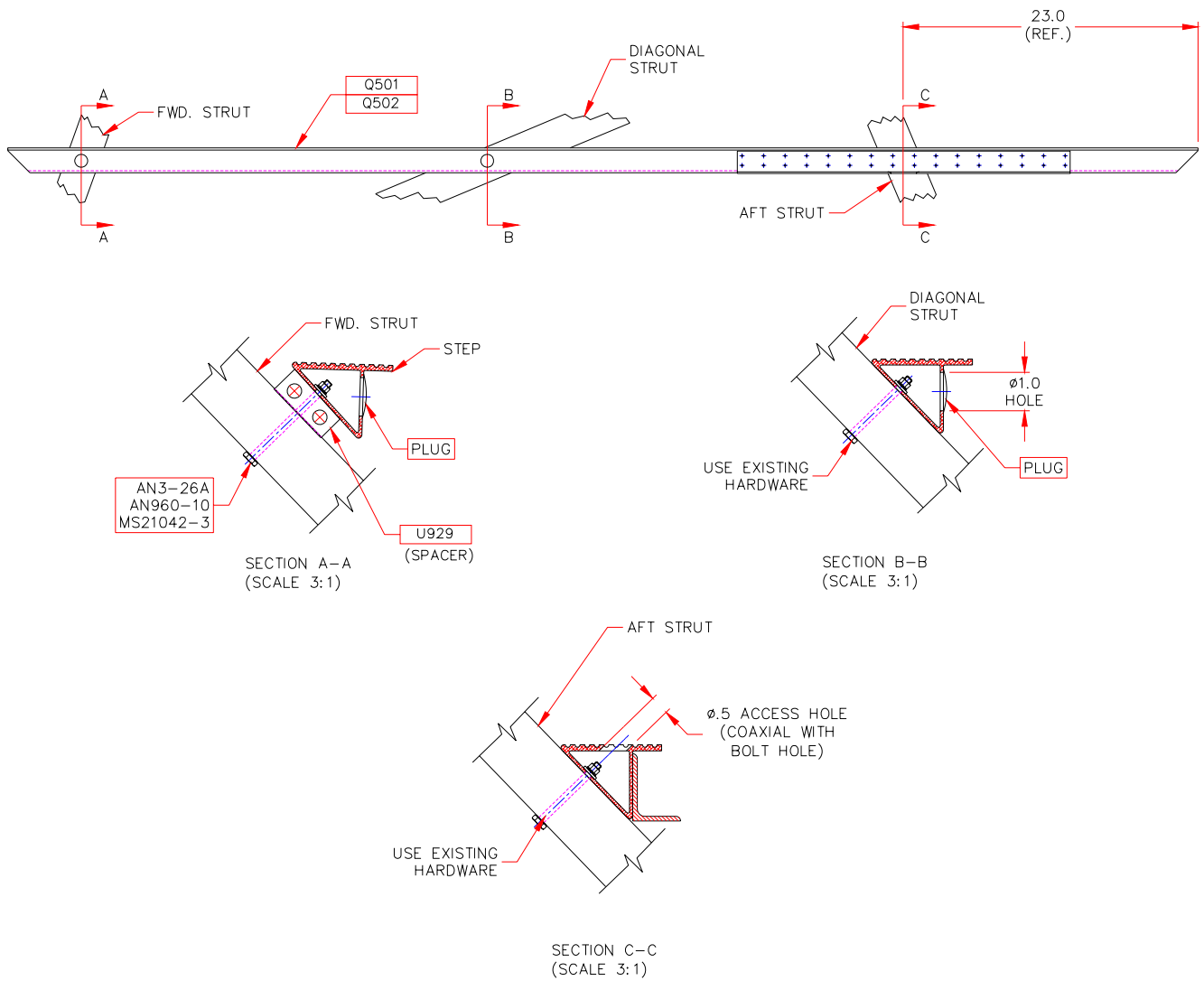


Figure 4
(Aerocet 3400 Floats Only)



**Figure 5
(Wipaire Float Step)**

LOG BOOK CERTIFICATION:

Complete an entry in the log book stating “SI-32-06 Rev 0, Cantilever Step Installation completed”.