



# SERVICE INSTRUCTION

SI-26-01  
Revision 1

**TITLE: Console Mounted Fire Extinguisher**

## **SUBJECT / REASON / DESCRIPTION:**

A new model of fire extinguisher has been chosen as part of the standard equipment in the FBA-2C1 aircraft. It is a H<sub>3</sub>R Inc, Model RT A600 Halon blend, 1.6 lbs. unit and it is mounted on the starboard side of the control console above the trim wheel.

Revision 1 is to correct the absence of the -44 Adel clamps from the "Kit BoM".

## **COMPLIANCE:**

**Compliance is optional.**

## **EFFECTIVITY:**

Optional from aircraft S/N 28 to S/N 54  
Standard equipment S/N 55 on

## **APPROVAL:**

This modification has been approved by FAC Engineering and TCCA where applicable.

## **MANPOWER REQUIREMENTS:**

It is estimated that the modification will take an experienced technician approximately 2 hours to complete, excluding the labor necessary to open and close the aircraft.

## **SPECIAL TOOLS / EQUIPMENT:**

No special tools required.

## PARTS LIST (BILL OF MATERIALS):

Kit FAC-SI-26-01

Part Number	Description	QTY.
RT A600	Fire Extinguisher	1
F1181	Mounting Tube	1
X955	Placard	2
Q373	Placard	1
AN525-832R9	Screw	2
NAS1149FN332P	Washer	2
MS21051L08	Nut Plate	1
MS21059L08	Nut Plate	1
MS21919WDG44	Adel Clamp	2

Cost of kit available upon request.

## WEIGHT & BALANCE:

Removal of old fire extinguisher      weight   - 4.6 lbs                      arm   17.8 inch

Installation of new fire extinguisher   weight   + 1.6 lbs.                      arm   -3.3 inch

## DRAWINGS/MANUALS:

N/A

## IMPLEMENTATION INSTRUCTIONS:

1. Remove two existing rivets on the starboard (right hand) side of the console as shown on Figure 1, area A and B.
2. Drill an 11/64" diameter hole in place of removed rivets.
3. Install two nut plates on the inside of the console with MS210470AD3 rivets or with CCR274SS Blind Nut Plate Rivets.
4. Install F1181 Mounting tube and RT A600 Fire Extinguisher as shown in Figure 2. Do not fully tighten the screws. Leave screws loose in order to adjust horizontal position of the fire extinguisher.
5. Adjust horizontal position of the fire extinguisher by sliding it forward or aft, see Figure 3 for location. If adjustment is required, ensure that the F1181 Mounting Tube is moved with the fire extinguisher such as the bottom of the fire extinguisher is pressed against stop tabs of the mounting tube
6. Tighten screws.
7. Perform a function check of the new fire extinguisher to ensure it can be easily removed and installed without binding.

---

**Found Aircraft Canada Inc.**

R.R.#2, Site 12, Box 10 ; Parry Sound, Ontario, Canada; P2A 2W8  
T (705) 378-0530 F (705) 378-0594

[www.foundair.com](http://www.foundair.com)

**SI-26-01 Rev 1**

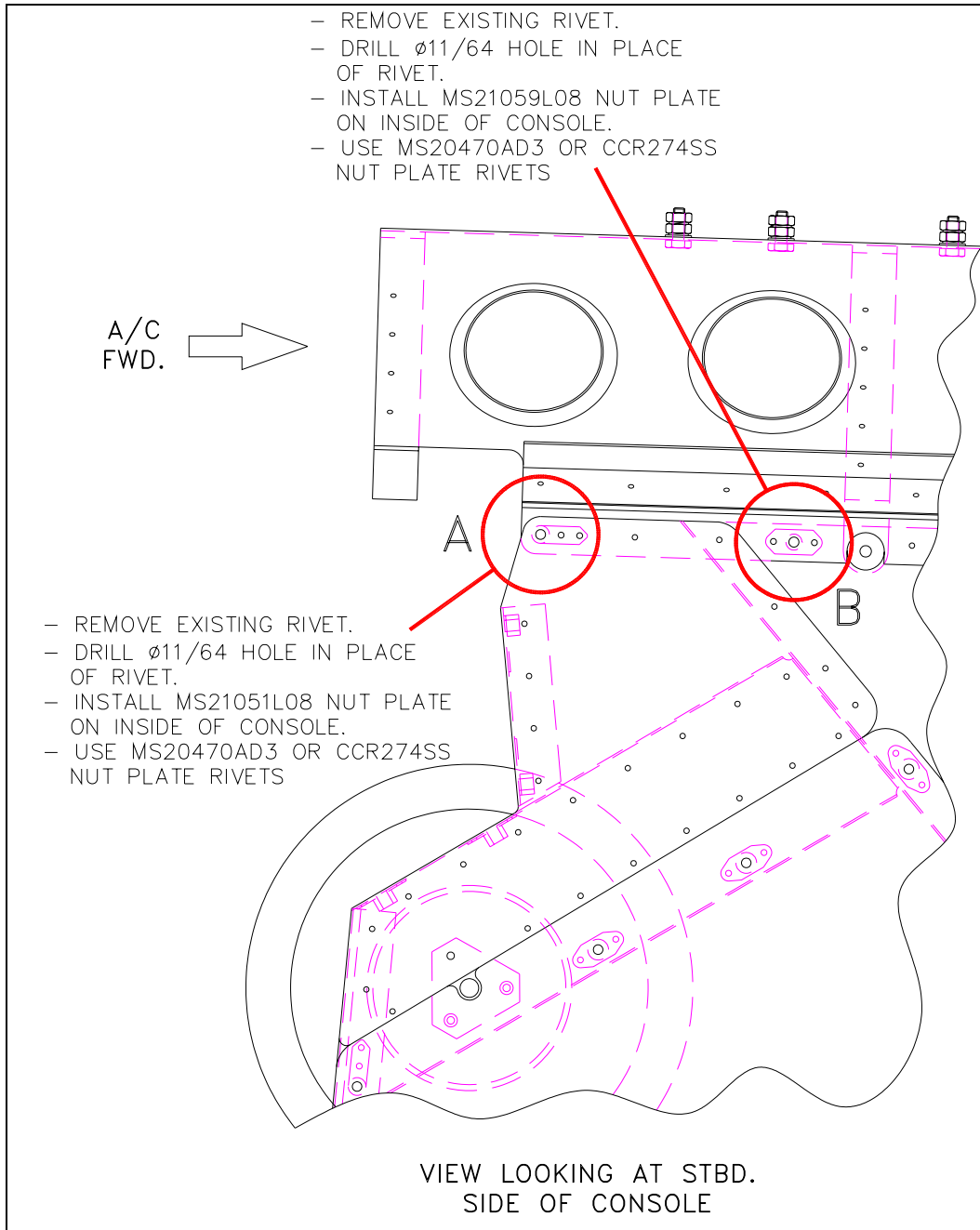
18 November 2004

**Page 2 of 6**

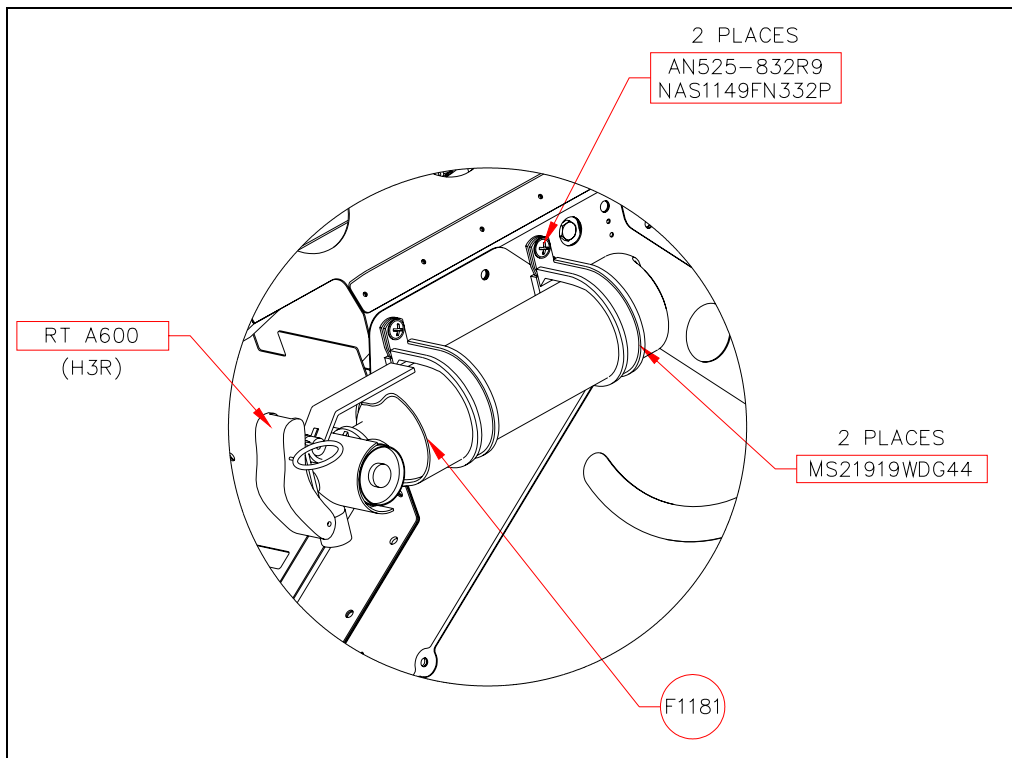
8. Install placard p/n Q373 over existing fire extinguisher silk-screened text on the instrument panel, see Figure 4. Note: Location of silk-screening may vary depending on the instrument panel configuration.
9. Remove fire extinguisher placards (x2) from forward door panels and install new placard(s) p/n X955.
10. The old fire extinguisher and bracket assembly may be removed from under the left forward pilot seat.

**LOG BOOK CERTIFICATION:**

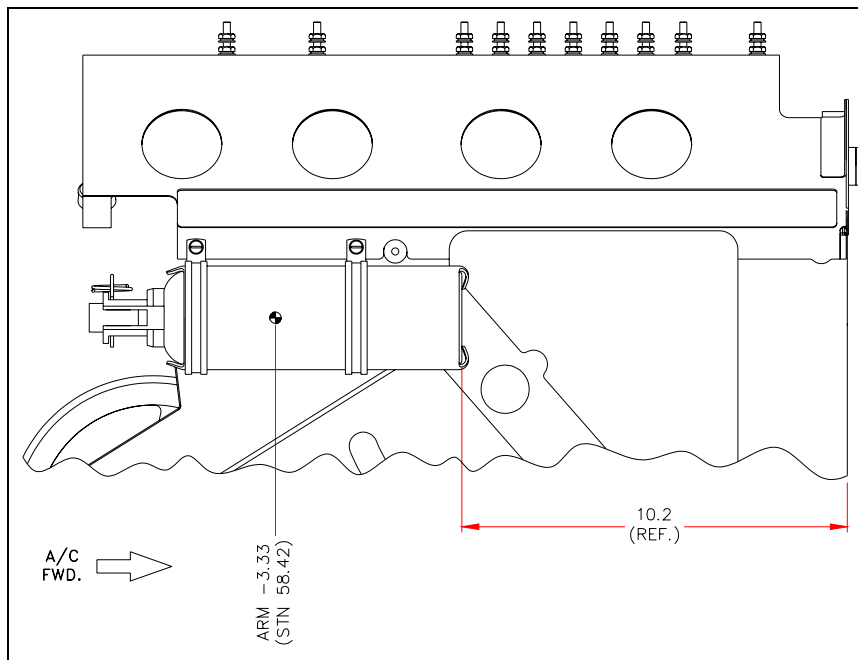
1. Revise the W & B and Equipment List to reflect the change in equipment and weights.
2. Complete a Log Book entry stating “Service Instruction SI-26-01 Rev 0, Console Mounted Fire Extinguisher Installation” accomplished.



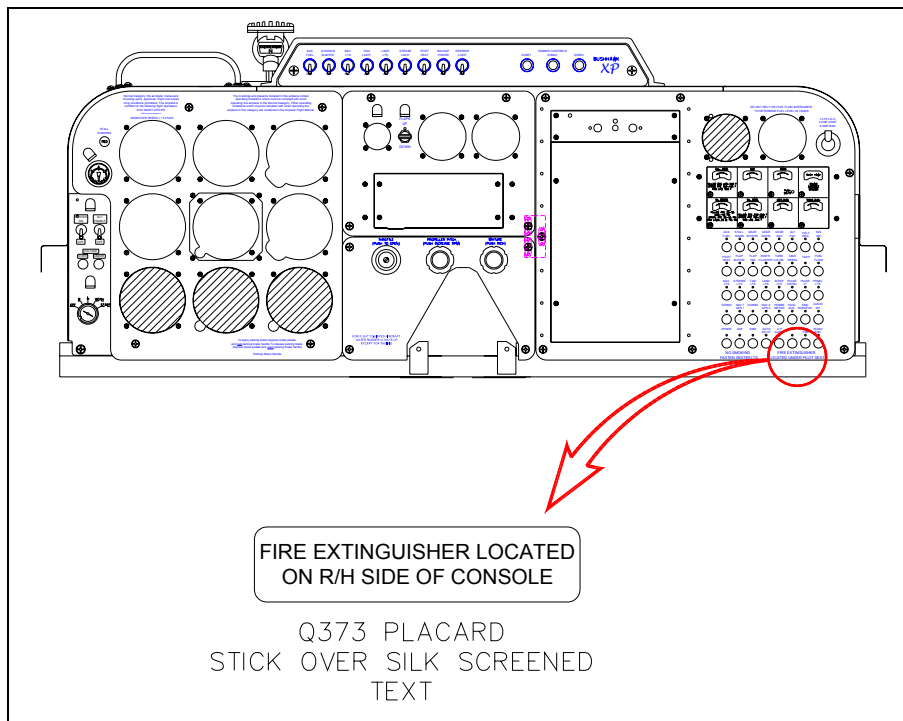
**FIGURE 1**



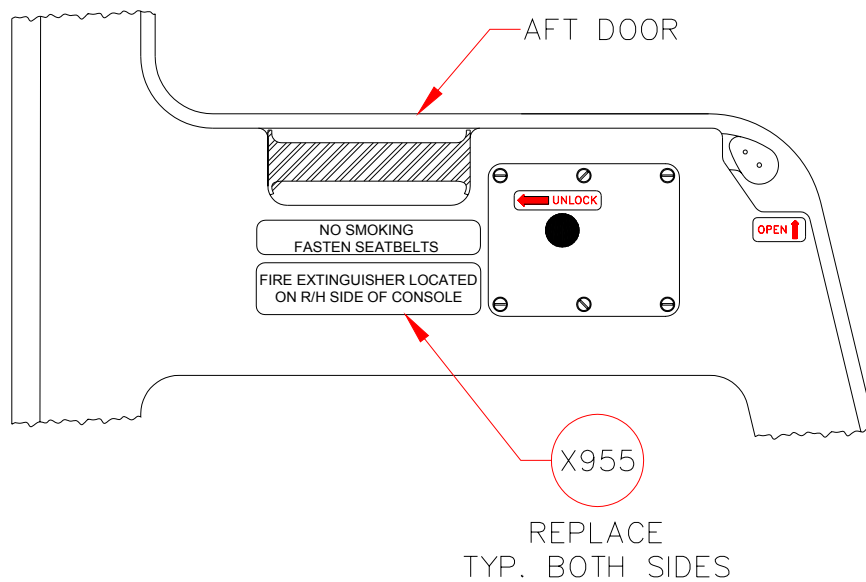
**FIGURE 2**



**FIGURE 3.**



**FIGURE 4.**



**FIGURE 5.**