



SERVICE INSTRUCTION

SI-25-01
Revision 0

TITLE: Optional Rosen Sunvisors

SUBJECT / REASON / DESCRIPTION:

Two optional sunvisors may be installed in the cockpit. The sunvisor kit consists of two tinted lenses which are mounted to the fuselage cross tube at the top of the windshield. The lenses are mounted on adjustable arms that allow the pilot to position them to minimize glare and then stow them when not needed.

COMPLIANCE:

Compliance is optional.

EFFECTIVITY:

Optional from aircraft S/N 28 on

APPROVAL:

This modification has been approved by FAC Engineering and TCCA where applicable.

MANPOWER REQUIREMENTS:

It is estimated that the modification will take an experienced technician approximately 1 hour to complete.

SPECIAL TOOLS / EQUIPMENT:

No special tools required.

PARTS LIST (BILL OF MATERIALS):

Kit FAC-SI-25-01 Rev 0

Part Number	Description	QTY.
RCS 300-1	Rosen Sunvisor Kit	1
K579	Mounting Kit	2

The kit consists of two sunvisors.
Cost of kit available upon request.

WEIGHT & BALANCE:

Weight: 1.8 lbs. (for 2 sunvisors)
Arm: 11 in.

DRAWINGS/MANUALS:

Not applicable

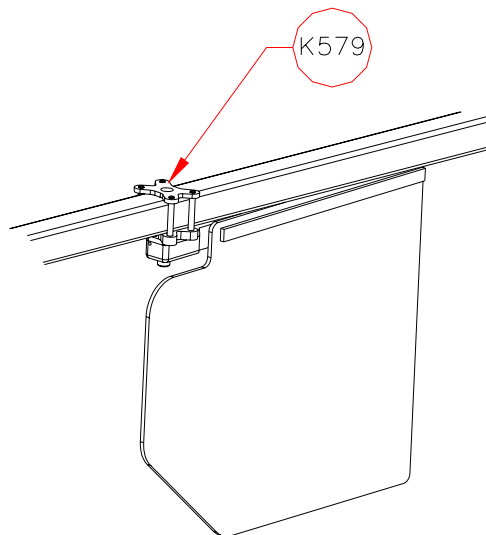
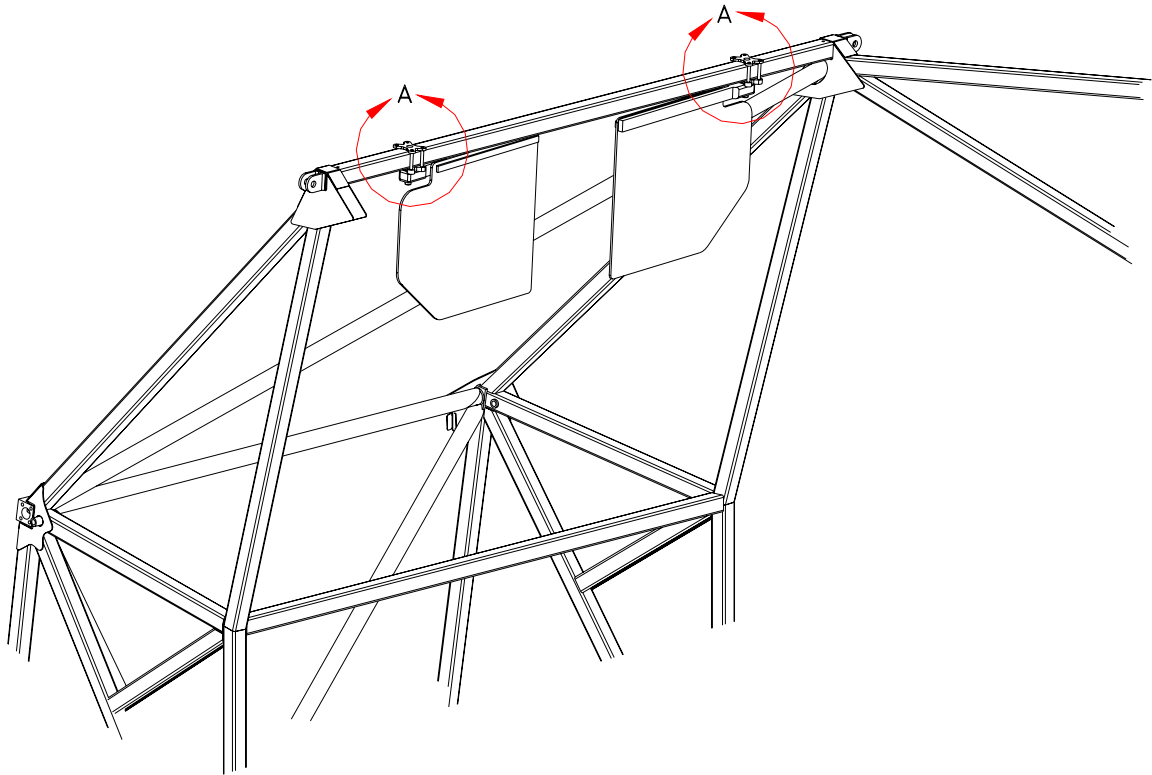
IMPLEMENTATION INSTRUCTIONS:

The sunvisors are clamped to the square cross tube at the top of the windshield using the hardware supplied in the kit as shown in Figure 1.
Use a thread lock such as “Locktite 248” or equivalent on the mounting screws to ensure a secure installation.

Complete the enclosed letter of confirmation and return via Fax or mail to FAC after implementation of service instruction.

LOG BOOK CERTIFICATION:

1. Revise the W & B and Equipment List to reflect the change in equipment and weights.
2. Complete a Log Book entry stating “Service Instruction SI-25-01 Rev 0, Rosen Sunvisor Installation” accomplished.



DETAIL 'A'
PILOT SIDE SHOWN

FIGURE 1