



SERVICE INSTRUCTION

SI-21-01
Revision 0

TITLE: Aft Cabin Air Vents

SUBJECT / REASON / DESCRIPTION:

This service instruction allows for the installation of air vents in the aft cabin for passenger comfort. The system consists of an air scoop on the bottom of each wing and an eyeball-type swivel vents above each aft doors.

COMPLIANCE:

Compliance is optional.

EFFECTIVITY:

This option may be installed on aircraft S/N 31 and S/N 33 onward.

APPROVAL:

This modification has been approved by FAC Engineering and TCCA where applicable.

MANPOWER REQUIREMENTS:

8 Hours

SPECIAL TOOLS / EQUIPMENT:

N/A

PARTS LIST (BILL OF MATERIALS):

Kit # FAC-SI-21-01 Rev 1

Cost of kit available upon request.

Qty Total	Qty/Kit	Part Number	Description
2	2	Y75	Doubler , Passenger Air Inlet
2	2	Y77	Inlet Screen
1	1	Y79	Air Inlet Flange, Port
1	1	Y80	Air Inlet Flange, Strbd
2	2	Y81	Air Scoop
2	2	Y87	Doubler, Skin
2	2	05-00787	Eyeball Swivel Vent
12	0	AN525-832R7	Screw
6	0	MS21047L08	Nut Plate
8	0	MS24693-S50	Screw
		Rivets	See Fig 3 & 4
		PRC 1422 B 1/2	Sealant

WEIGHT & BALANCE:

Total System Weight 1.0 lbs

System Arm 44.2"

Moment 45 in-lbs

DRAWINGS/MANUALS:

Not applicable

IMPLEMENTATION INSTRUCTIONS:

All work shall be completed in accordance with standard aircraft practices as defined by AC 43-13 and the instructions given in this service document.

1. Figure 1 shows the general arrangement for the "Aft Air Vent System".
2. Reference figure 2; Remove two interior panels -15 and -16 above the cargo doors and the two inboard aft most wing access panels W499. Retain hardware.
3. Reference figure 3; Using skin doubler Y87 as a template, locate and cut the cutouts/holes in the lower wing panels for the inlet scoop.

Found Aircraft Canada Inc.

R.R.#2, Site 12, Box 10 ; Parry Sound, Ontario, Canada; P2A 2W8
T (705) 378-0530 F (705) 378-0594

www.foundair.com

SI-21-01

04 Aug 04

Page 2 of 8

4. Reference figure 4: Using the air inlet flanges Y79/Y80 as templates locate and install the MS21047LO8 flange nut plates using 3/32 countersunk rivets.

Caution; Use care locating and drilling off the upper nut-plate between the angle and the lightening holes.

5. Ref figure 5; Seal holes as indicated with PRC-1422, B1/2 or equivalent. In the case of the larger lightening holes of the riblet and aft spar, seal the holes with Orcotape P/N OT-6 or equivalent. This tape may also be used on smaller holes if desired.
6. Ref figure 1 install Y79 and Y80 air inlet flanges using AN525-832R7 screws
7. Temporarily install the interior panels -15 and -16 and back mark the air vent anchor nut holes and air vent hole through wing access panel opening. Remove interior panels and drill the holes for the air vent and air vent attach screws.

Re-install interior panels -15 and -16 using retained hardware.

8. Install air vents using MS24693-S50 screws.
9. Ref figure 1. Install internal wing doublers Y87 using 3/32 countersunk rivets. Install internal nut plates, screens and air scoops using AN525-832R7 screws.
10. Install wing access panels W499 using retained hardware
11. Make an log book entry stating “ Service Instruction SI-21-01, Aft Cabin Air Vents” accomplished.

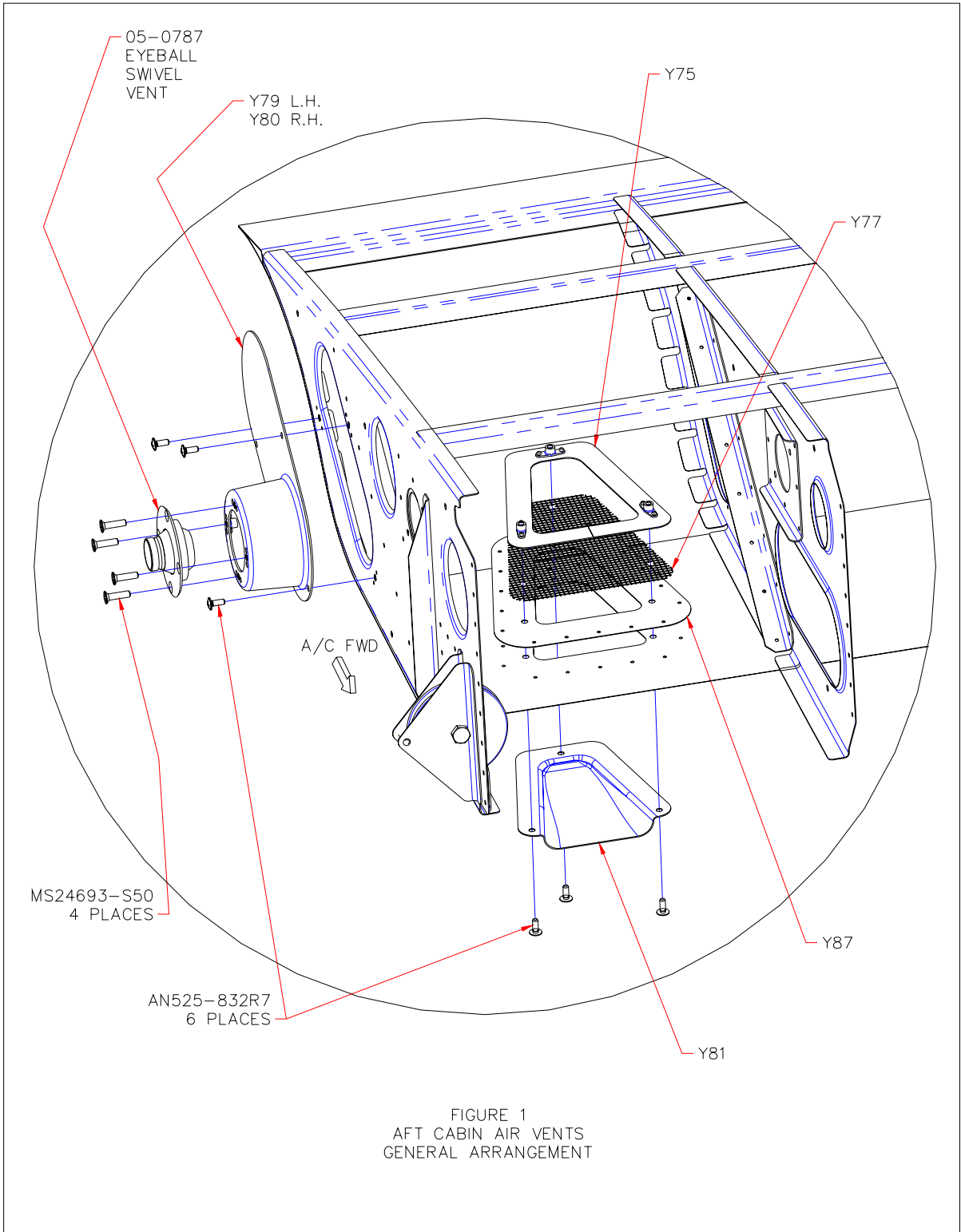
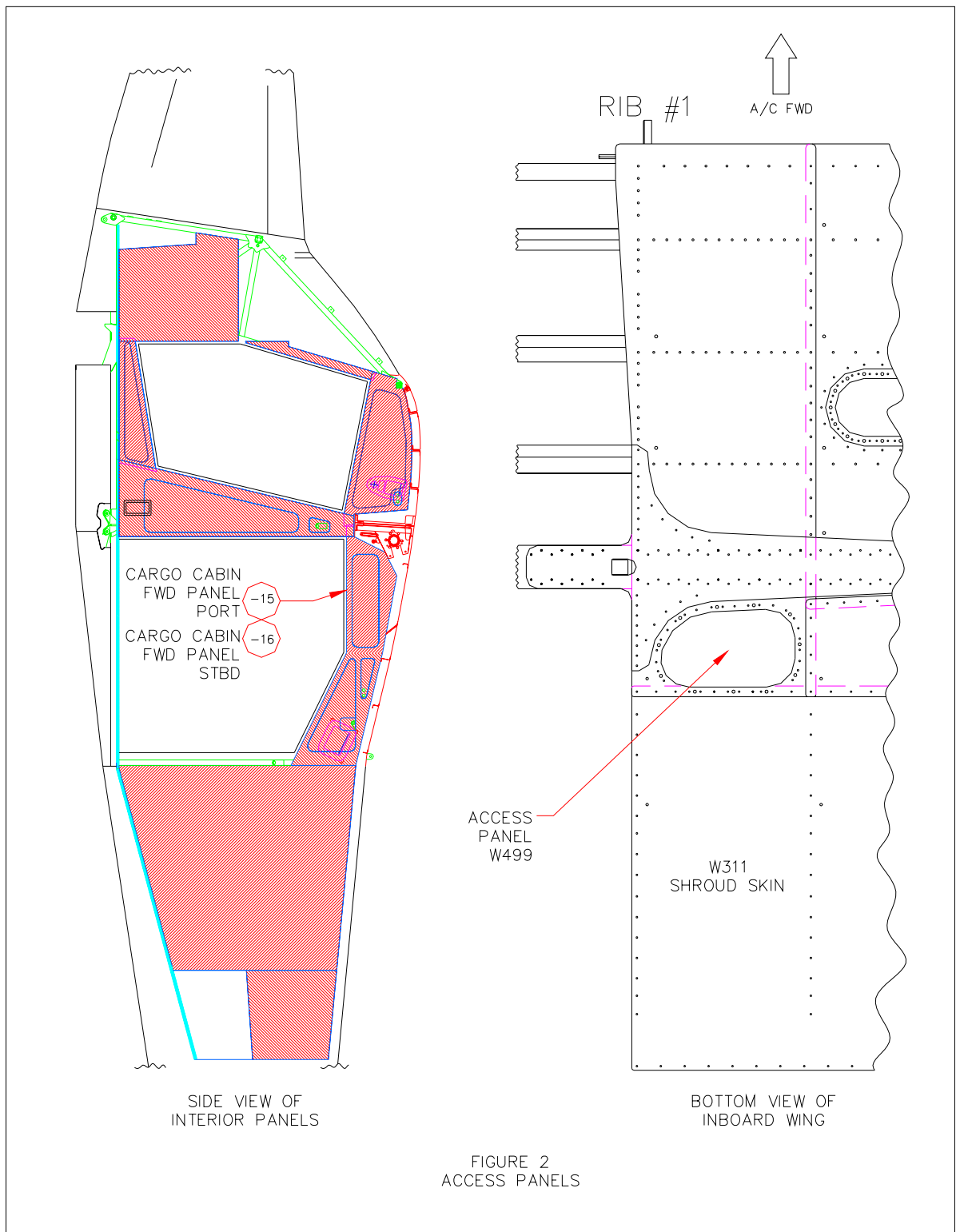
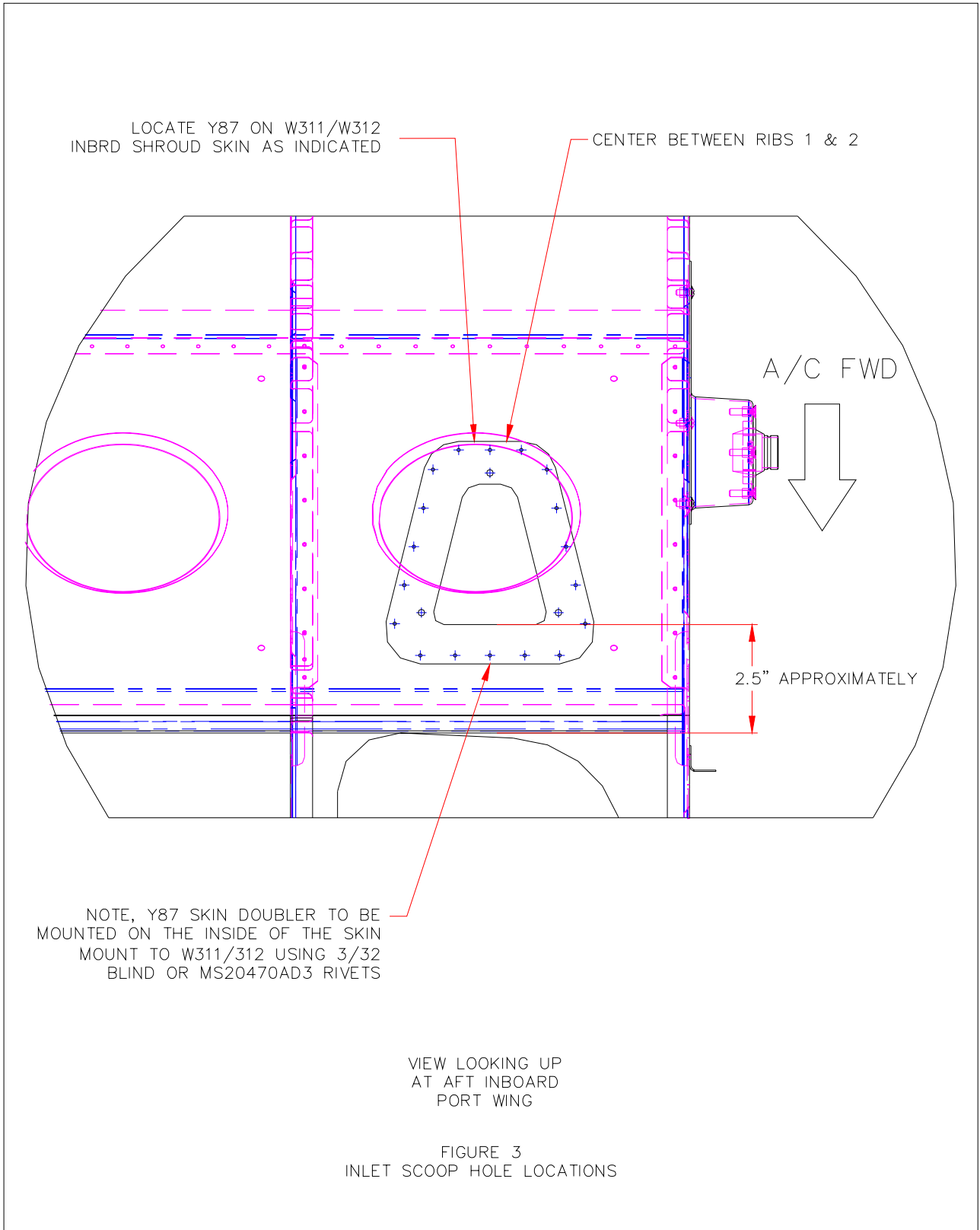
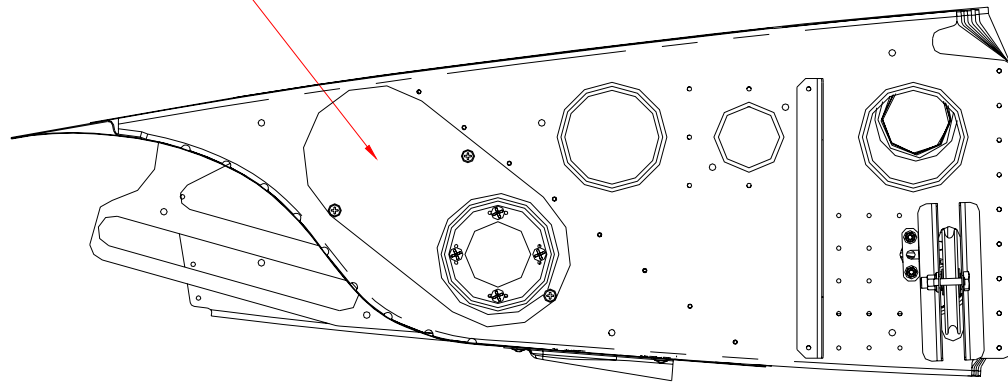


FIGURE 1
AFT CABIN AIR VENTS
GENERAL ARRANGEMENT



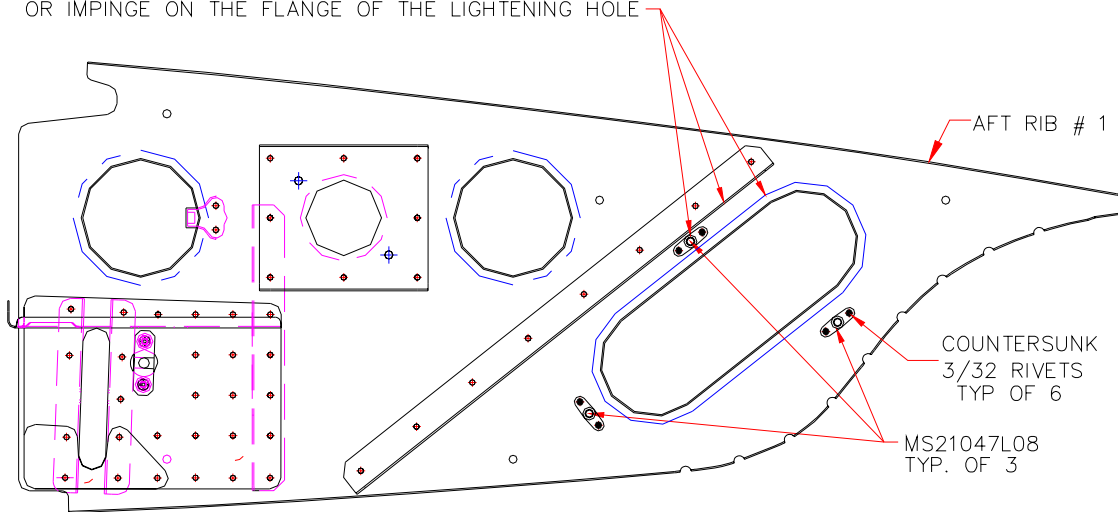


Y79 PORT
Y80 STRBD



VIEW LOOKING UP
AT AFT INBOARD
PORT WING

NOTE THE MINIMAL SEPARATION BETWEEN THE ANGLE
AND THE EDGE OF THE LIGHTENING HOLE BE CAREFUL
WHEN LOCATING THIS HOLE NOT TO DAMAGE THE ANGLE
OR IMPINGE ON THE FLANGE OF THE LIGHTENING HOLE



VIEW LOOKING UP
AT AFT INBOARD
PORT WING

FIGURE 4
AIR INLET FLANGE
MOUNTING HOLE LOCATIONS

