

Chapter 26

FIRE PROTECTION

FBA-2C1, FBA-2C2, FBA-2C3
FBA-2C4, FBA-2C3T, FBA-2C4T

Found Aircraft Canada
Maintenance Program FAC2-M200

INTENTIONALLY LEFT BLANK

LIST OF EFFECTIVE PAGES			
Chapter	Section	Page No.	Date
26	26-Title	1	January 23, 2012
		2	January 23, 2012
	26-LOEP	1	January 23, 2012
		2	January 23, 2012
	26-TOC	1	January 23, 2012
		2	January 23, 2012
	26-20	1	July 28, 2008
		2	July 28, 2008
		3	July 28, 2008
		4	July 28, 2008

FBA-2C1, FBA-2C2, FBA-2C3
FBA-2C4, FBA-2C3T, FBA-2C4T

Found Aircraft Canada
Maintenance Program FAC2-M200

INTENTIONALLY LEFT BLANK

FBA-2C1, FBA-2C2, FBA-2C3
FBA-2C4, FBA-2C3T, FBA-2C4T

Found Aircraft Canada
Maintenance Program FAC2-M200

INTENTIONALLY LEFT BLANK

26 FIRE PROTECTION

26-20 FIRE EXTINGUISHER

The fire extinguisher is located in one of two designated locations. First, located in the flight compartment mounted under the pilot's seat. Second, mounted on the right hand side of the control console above the trim wheel.

The fire extinguisher mounted under the pilot's seat is an ABC 2 1/2 lb. dry chemical fire extinguisher. To use the fire extinguisher unclip the latch at the neck of the extinguisher and pull the extinguisher from the mounting latch.

The fire extinguisher mounted on the side of the console is a 2B:C 1.6 lb. Halon unit (H₃R Inc. Model RT A600). To use the fire extinguisher simply pull the unit out of its mounting tube. Unlatching is not required.

Reverse the procedure to install the extinguisher.

26-20-01 Under Seat Fire Extinguisher

The fire extinguisher latch is attached to a mounting bracket which is secured to the pilot's seat with four clamps. To remove the mounting bracket remove the fire extinguisher then remove the four clamps which secure the bracket to the seat frame. To install the mounting bracket place the bracket in location and secure the four clamps, then reinstall the fire extinguisher.

See Figure 26-20-01 for details.

CAUTION: If the pilot and copilot seat is switched, ensure that the fire extinguisher is moved to the pilot's side.

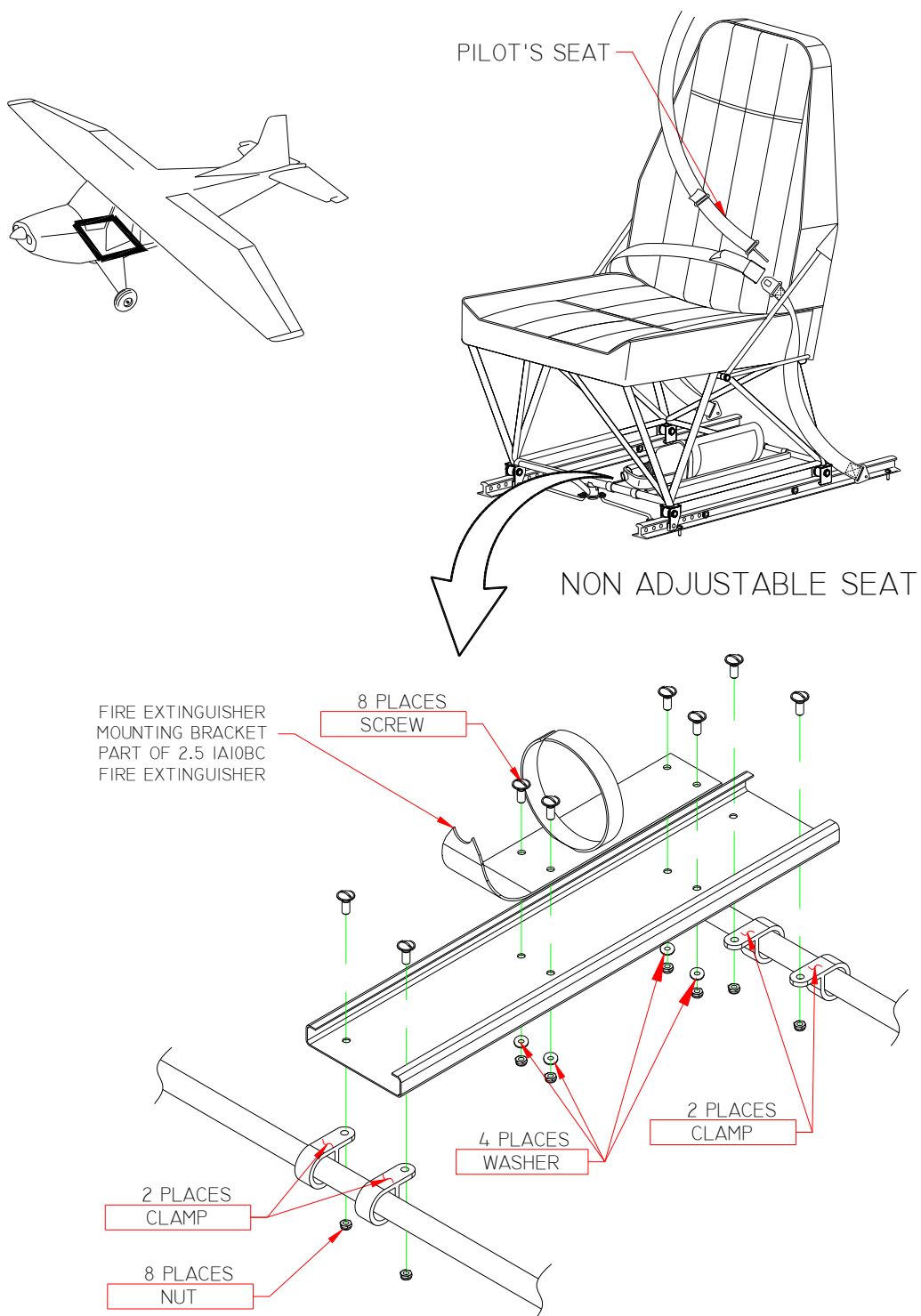


Figure 26-20-01: Fire Extinguisher Mounting Bracket, Under Seat

26-20-02 Console Mounted Fire Extinguisher

The fire extinguisher mounted on the side of the console is a H₃R Inc Model RT A600 unit. It is a disposable, non-rechargeable unit. It is filled with 1211/1301 Halon mixture with gross weight of 1.6 lb. The unit has a 2B:C U/L rating and is intended for use on Class B (flammable liquid) and Class C (energized electrical equipment) type fires. The fire extinguisher has a discharge range of 6-8 ft. with discharge time of 10-12 sec.

Removal and Installation

To remove the fire extinguisher, pull the unit out of its mounting tube.

To install the fire extinguisher, gently spread holding tabs and insert the unit into the mounting tube.

Weight & Balance

Gross Weight = 1.6 lb.

Arm = -3.33 in.

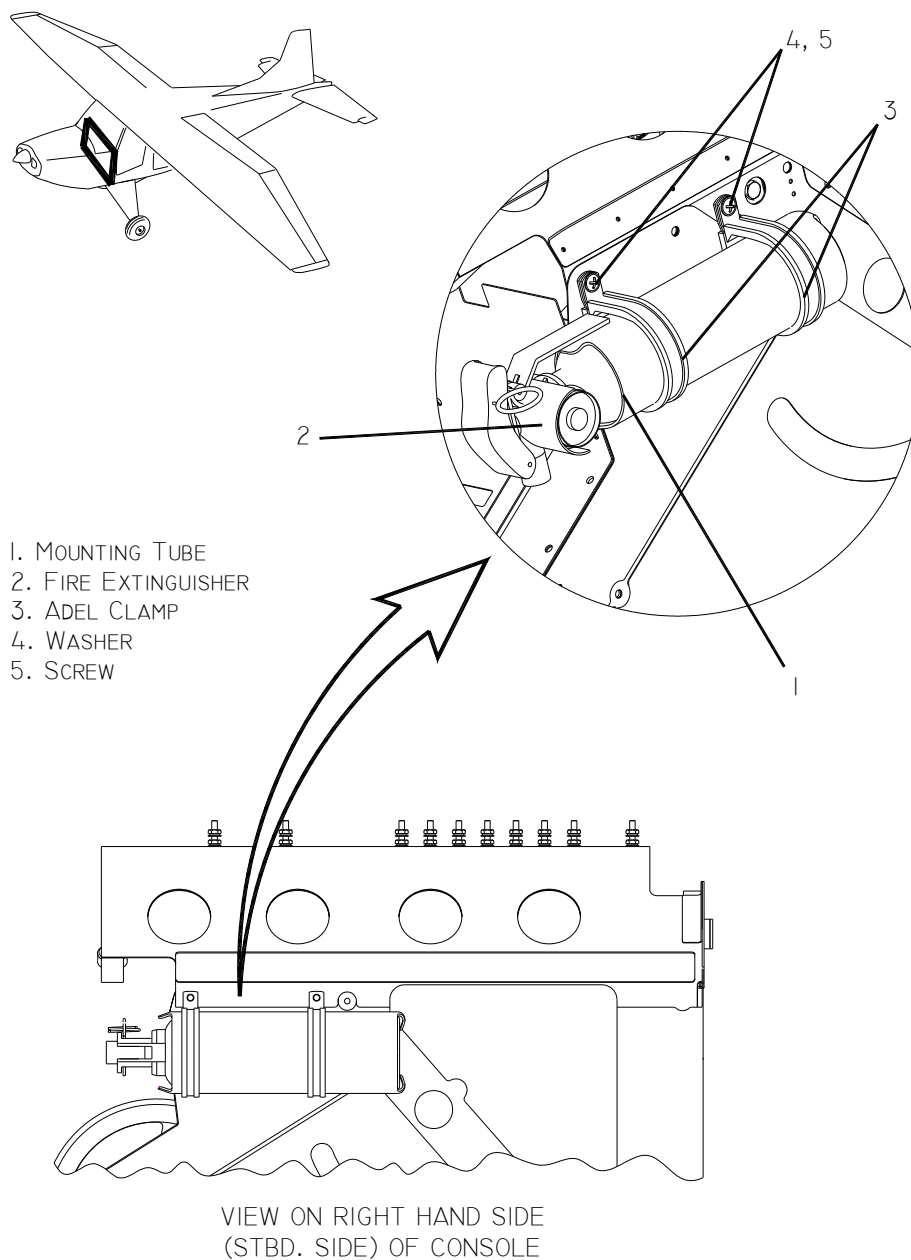


Figure 26-20-02: Fire Extinguisher Installation