

# CHAPTER 79

# ENGINE OIL

### List of Effective Pages

Chapter / Section	Page No.	Date
79-00	1	Jul 14, 2011
	2	Jul 14, 2011
79-21	1	Jul 14, 2011
	2	Jul 14, 2011
	3	Jul 14, 2011
	4	Jul 14, 2011
	5	Jul 14, 2011
	6	Jul 14, 2011
	7	Jul 14, 2011
	8	Jul 14, 2011
	9	Jul 14, 2011
	10	Jul 14, 2011
	11	Jul 14, 2011
	12	Jul 14, 2011
	13	Jul 14, 2011
	14	Jul 14, 2011
	15	Jul 14, 2011
	16	Jul 14, 2011
	17	Jul 14, 2011
	18	Jul 14, 2011
	19	Jul 14, 2011
	20	Jul 14, 2011
	21	Jul 14, 2011
	22	Jul 14, 2011

Chapter / Section	Page No.	Date

Figure And Index Number	GROUP <b>Oil Cooler</b>		Effect.	Vendor Ident.	Units Per Assy
	MAJOR ASSEMBLY	<b>2C1 &amp; 2C2 Oil Cooler &amp; Duct</b>			
	PART No.	DESCRIPTION			
1-	No Number	Oil Cooler & Duct Installation			
-1	P231	Oil Cooler Duct Nozzle			1
-2	P233	Oil Cooler Duct Diffuser			1
-3	P178-2	Aft Cover, Port			1
-4	P235	Oil Cooler Duct Clip			1
-5	P237	Oil Cooler Duct Retainer			1
-6	QS200M-52	Hose Clamp			2
-7	SCAT14	SCAT Hose, 3.5" Dia.			6"
-8	20009 A	Oil Cooler		NKC	1
-9	MS21042-08	Self Locking Nut, No. 8			5
-10	AN960-8L	Washer, No. 8 Thin			4
-11	AN525-832R9	Screw, Washer Head, No. 8			4
-12	AN525-832R12	Screw, Washer Head, No. 8			1
-13	AN960-8	Washer, Flat, No. 8			2
-14	892-361	Peel & Stick Neoprene/EPT/SBR/ Blend		SPN	1
-15	892-373	Peel & Stick Neoprene/EPT/SBR/ Blend		SPN	1
-16	MS24694-S54	Screw, Countersunk Head, 100°			3
-17	MS21044-N3	Nut, Self Locking, 3/16" Dia.			3
-18	AN960-10	Washer, Flat, No. 10			9
-19	DW10SS	Countersunk Washer		LEA	3
-20	AN3-6A	Bolt, No. 10			3

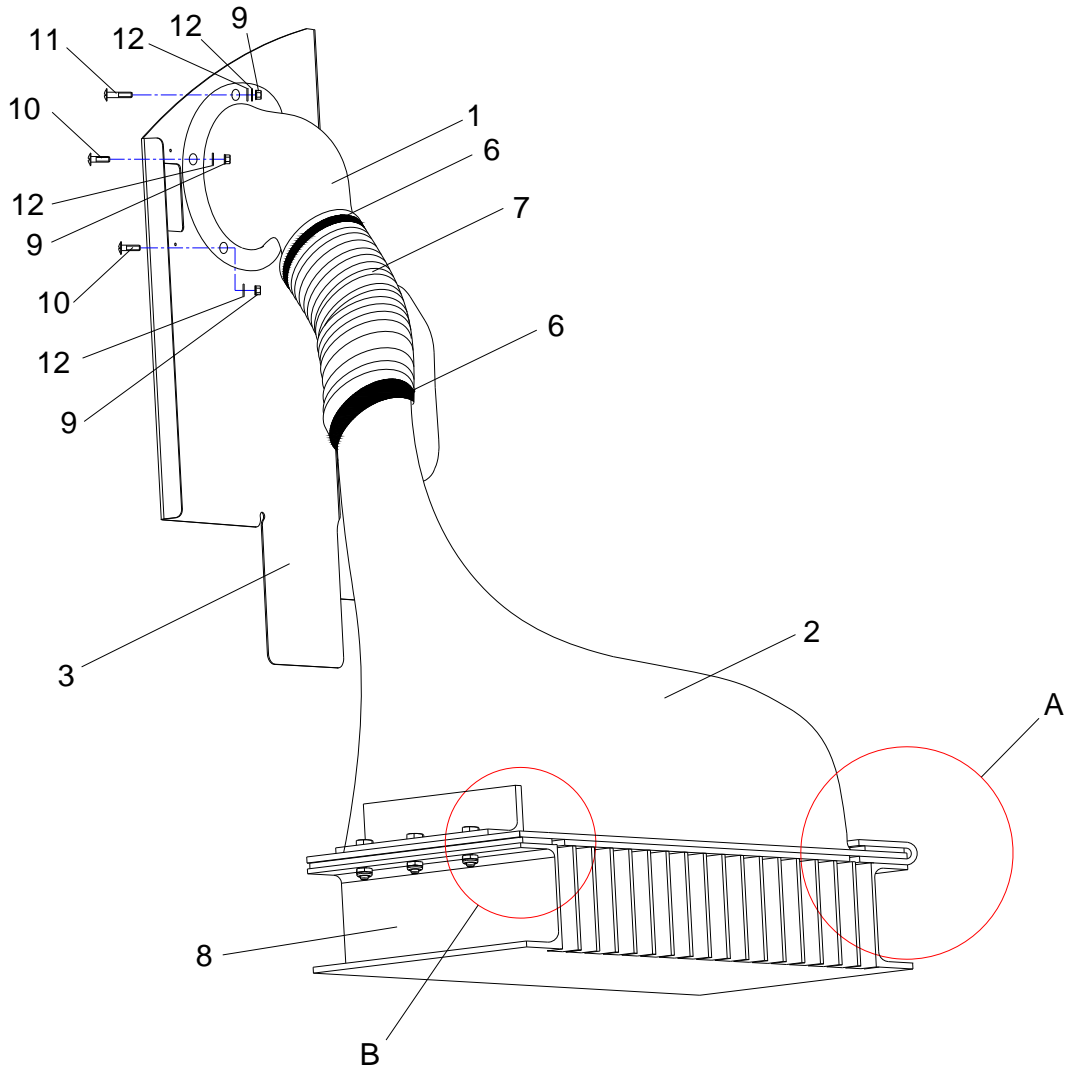
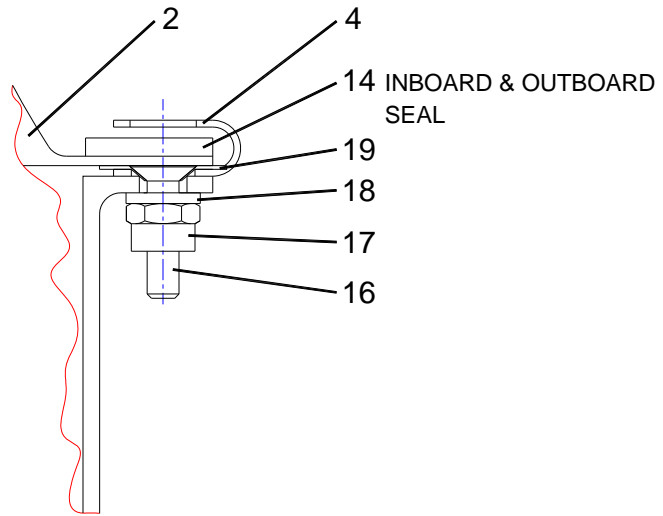
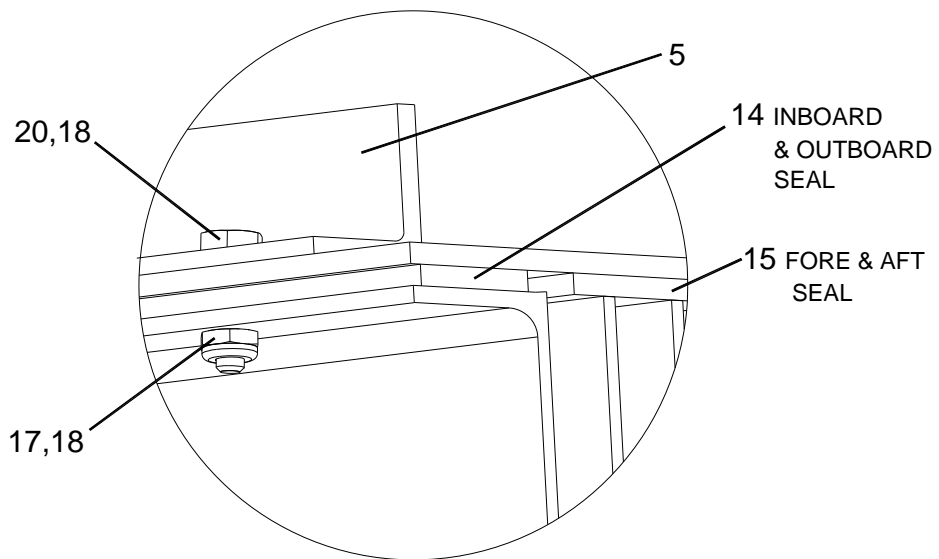


Figure 1 (Sheet 1)  
2C1 & 2C2 Oil Cooler & Duct Work



DETAIL A



DETAIL B

Figure 1 (Sheet 2)  
2C1 & 2C2 Oil Cooler & Duct Work

INTENTIONALLY LEFT BLANK

Figure And Index Number	GROUP <b>Oil Cooler</b>		Effect.	Vendor Ident.	Units Per Assy
	MAJOR ASSEMBLY <b>20 Tube Oil Cooler &amp; Duct Installation (2C1 &amp; 2C2)</b>				
	PART No.	DESCRIPTION			
2-	No Number	Oil Cooler & Duct Installation			
-1	P319	Oil Cooler Duct Nozzle	56*		1
-2	P321	Oil Cooler Duct Diffuser	56*		1
-3	P178-2	Aft Cover, Port Issue 7	56*		1
-4	P235	Oil Cooler Duct Clip			1
-5	P237	Oil Cooler Duct Retainer			1
-6	QS 200M 60H	4" Hose Clamp			2
-7	SCAT16	SCAT Hose, 4.0" Dia.			6"
-8	20662A	Oil Cooler	56*	NKC	1
-9	MS21042-08	Self Locking Nut, No. 8			5
-10	AN960-8L	Washer, No. 8 Thin			4
-11	AN525-832R9	Screw, Washer Head, No. 8			4
-12	AN525-832R12	Screw, Washer Head, No. 8			1
-13	AN960-8	Washer, Flat, No. 8			2
-14	892-361	Peel & Stick Neoprene/EPT/SBR/ Blend		SPN	1
-15	892-373	Peel & Stick Neoprene/EPT/SBR/ Blend		SPN	1
-16	MS24694-S54	Screw, Countersunk Head, 100°			3
-17	MS21042-3	Nut, Self Locking, 3/16" Dia.			3
-18	AN960-10L	Washer, Flat, No. 10			9
-19	DW10SS	Countersunk Washer		LEA	3
-20	AN3-4A	Bolt, No. 10			3
		*Or earlier S/N aircraft if Service Instruction SI-79-01 implemented			

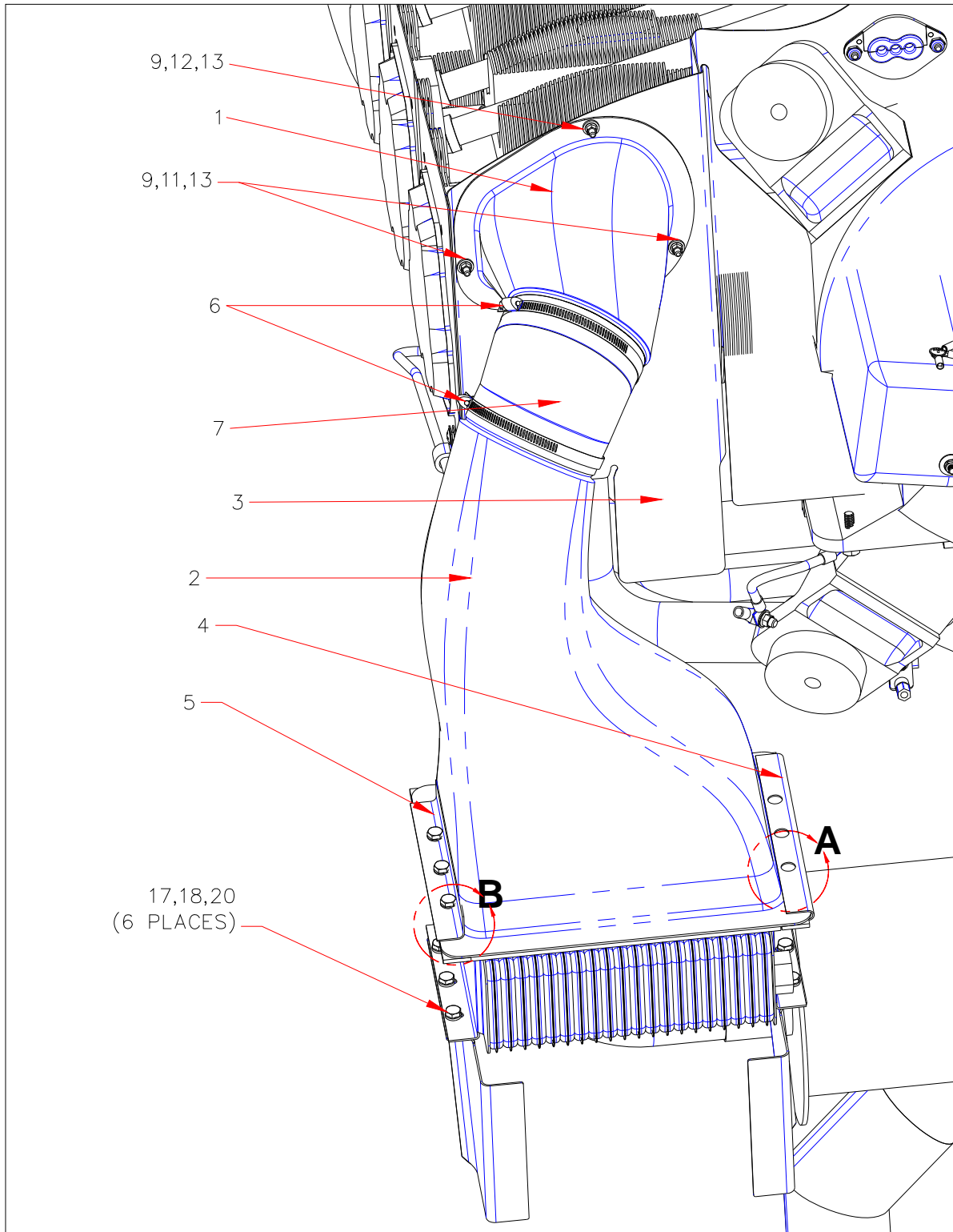
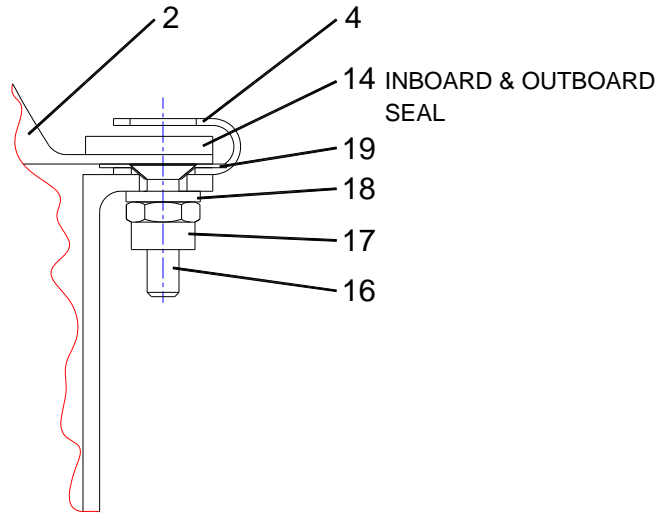
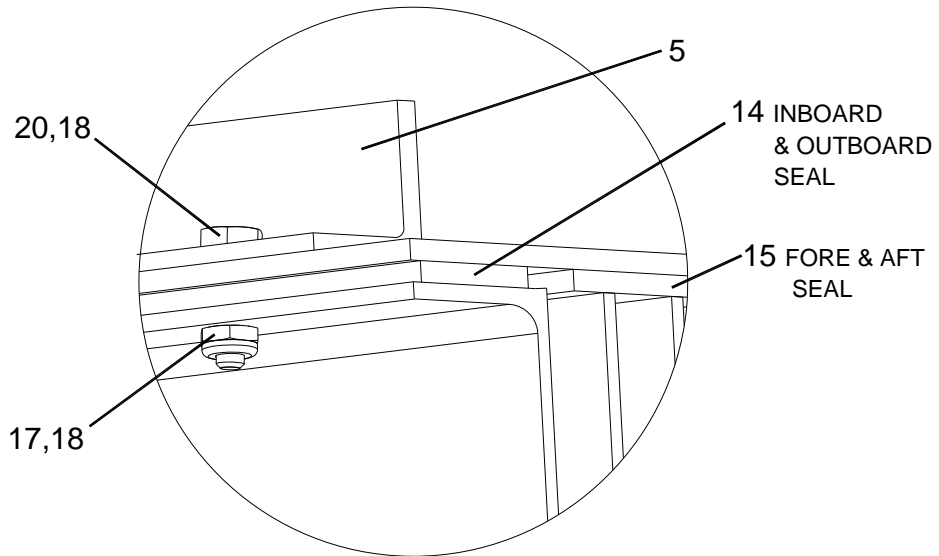


Figure 2 (Sheet 1)  
2C1 & 2C2 Oil Cooler & Duct Work





DETAIL A



DETAIL B

Figure 2 (Sheet 2)  
2C1 & 2C2 Oil Cooler & Duct Work

INTEINTIONALLY LEFT BLANK

Figure And Index Number	GROUP <b>Oil Cooler</b>		Effect.	Vendor Ident.	Units Per Assy
	MAJOR ASSEMBLY <b>2C3 &amp; 2C4 Oil Cooler &amp; Duct</b>				
	PART No.	DESCRIPTION			
1-	No Number	Oil Cooler Hoses			
-1	MS20822-8D	90° Elbow			2
-2	AE6208H0221-000	Flex Line			1
-3	AN816-8D	Adapter			2
-4	AE6208H0271-000	Flex Line			1
-5	20662A	20 Tube Oil Cooler			1

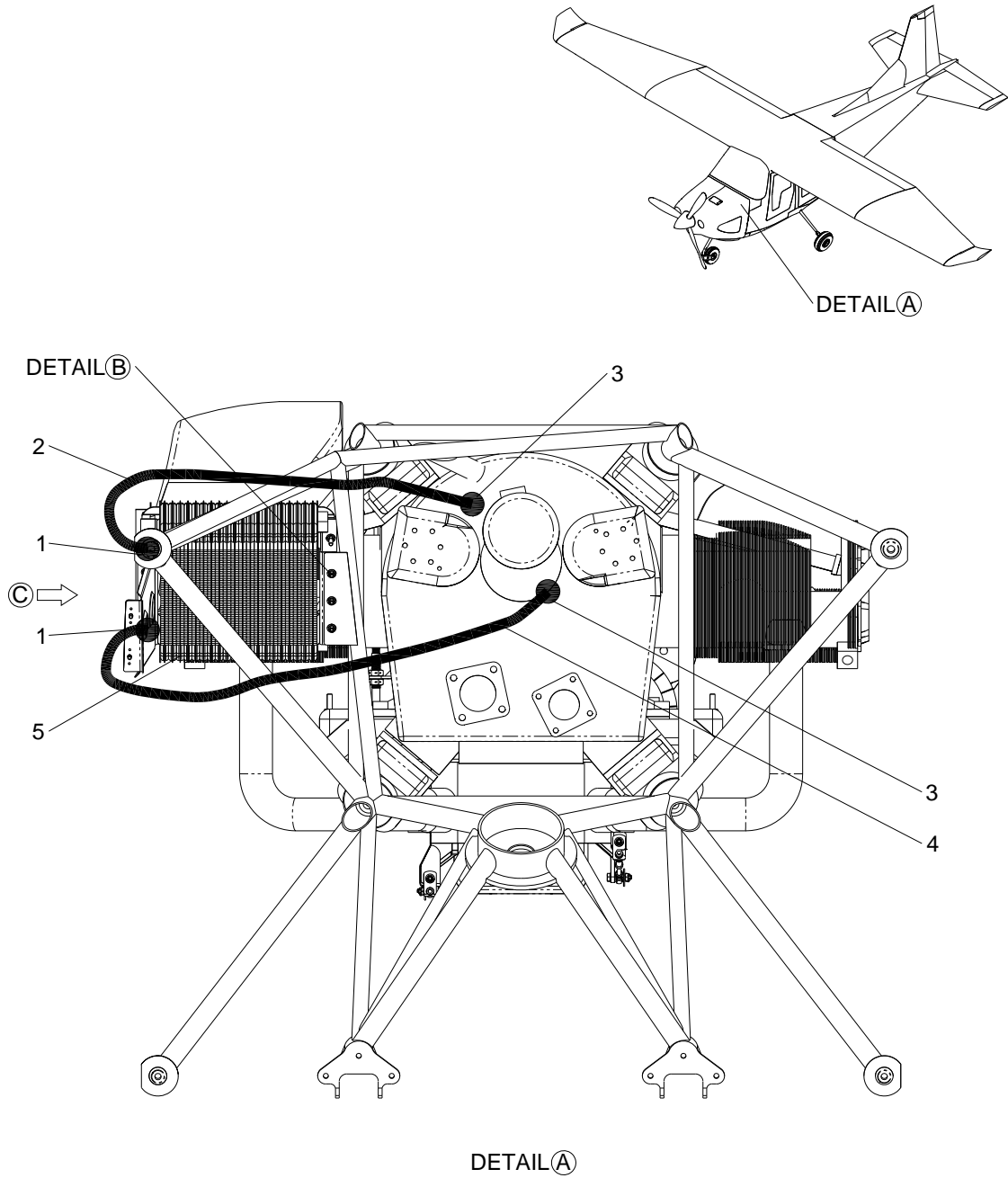
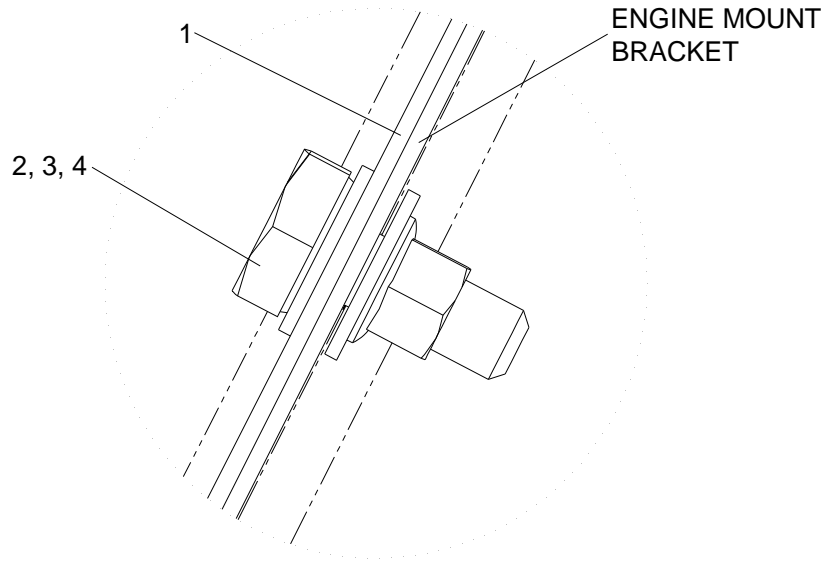
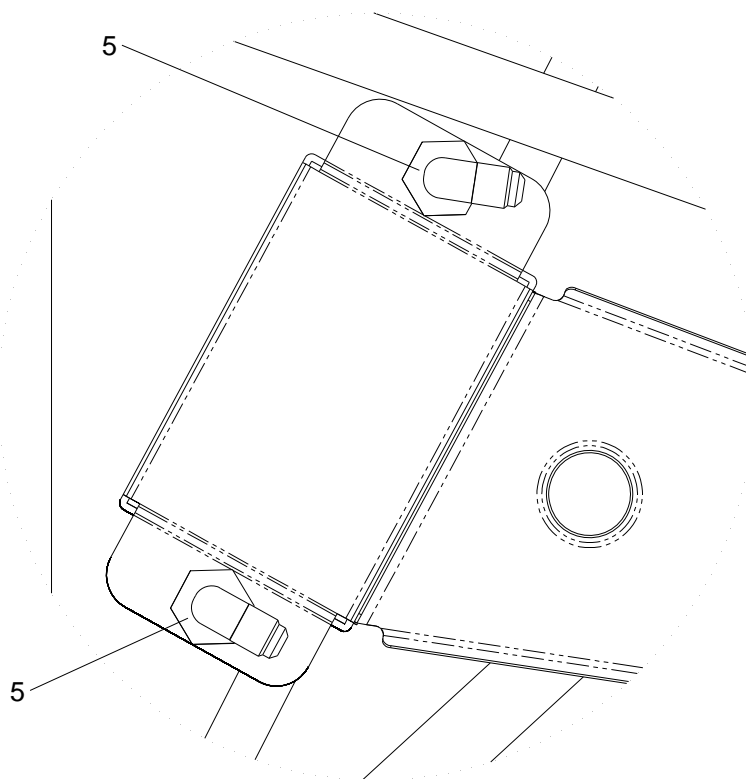


Figure 1  
2C3 & 2C4 Oil Cooler Hoses

Figure And Index Number	GROUP		Effect.	Vendor Ident.	Units Per Assy
	MAJOR ASSEMBLY				
	PART No.	DESCRIPTION			
2-	No Number	Oil Cooler Installation			
-1	20662A	20 Tube Oil Cooler			1
-2	AN3-4A	Bolt			3
-3	AN96010L	Washer			6
-4	MS21042-3	Nut			3
-5	MS20822-8D	90° Elbow			2



DETAIL B



DETAIL C

Figure 2  
2C3 & 2C4 Oil Cooler Installation

Figure And Index Number	GROUP <b>Oil Cooler</b>		Effect.	Vendor Ident.	Units Per Assy
	MAJOR ASSEMBLY <b>2C3 &amp; 2C4 Oil Cooler &amp; Duct</b>				
	PART No.	DESCRIPTION			
3-	No Number	Oil Cooler Installation			
-1	P2323	Oil Cooler Bracket			1
-2	P2303	Outboard Oil Cooler Bracket			1
-3	20662A	20 Tube Oil Cooler			1

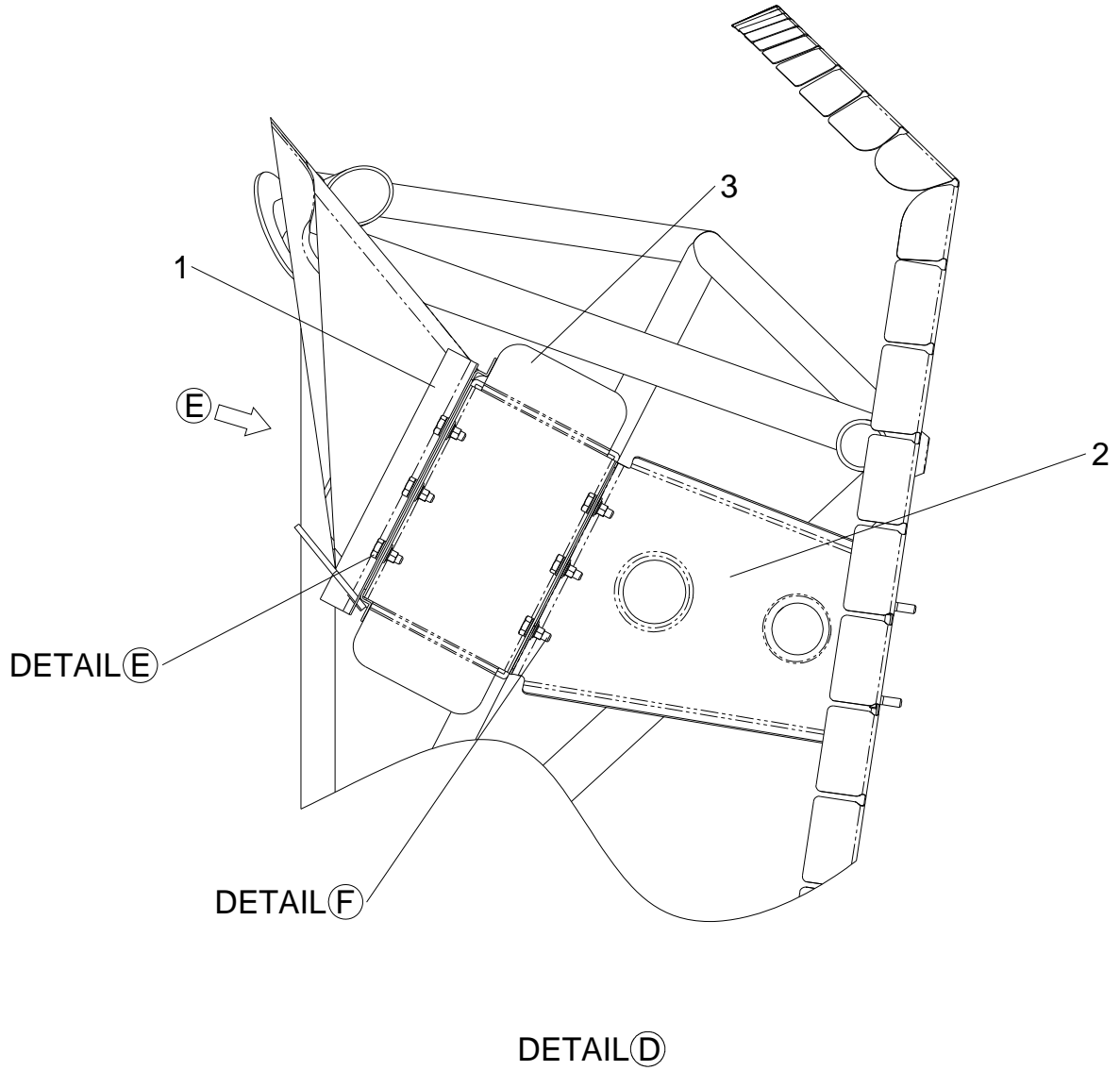
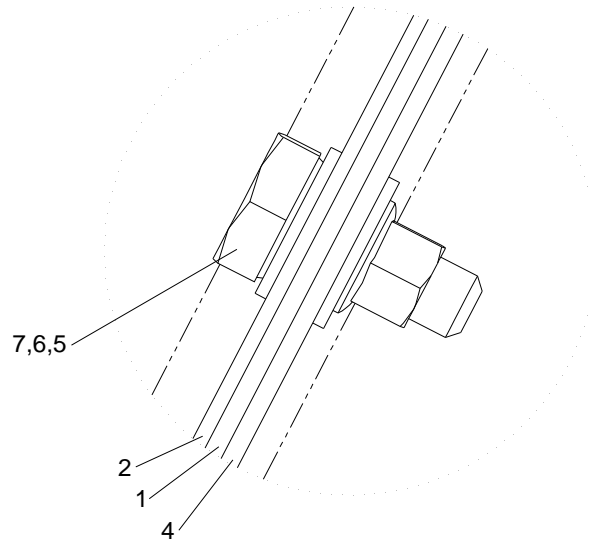


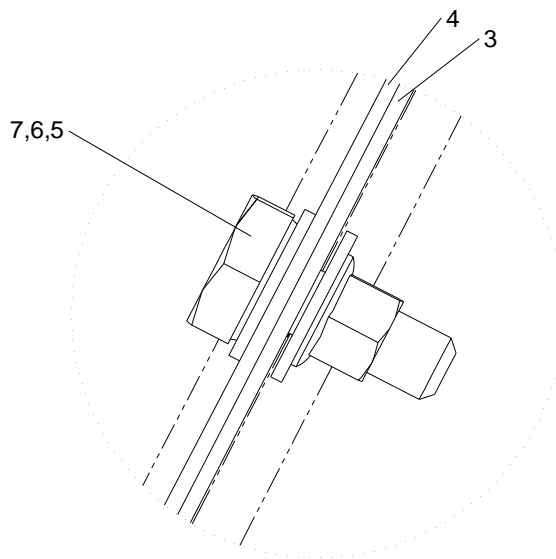
Figure 3  
2C3 & 2C4 Oil Cooler Installation



Figure And Index Number	GROUP <b>Oil Cooler</b>		Effect.	Vendor Ident.	Units Per Assy
	MAJOR ASSEMBLY <b>2C3 &amp; 2C4 Oil Cooler &amp; Duct</b>				
	PART No.	DESCRIPTION			
4-	No Number	Oil Cooler Installation			
-1	P2331	Oil Cooler Plenum			1
-2	P2323	Oil Cooler Angle			1
-3	P2303	Outboard Oil Cooler Bracket			1
-4	20662A	20 Tube Oil Cooler			1
-5	AN3-4A	Bolt			6
-6	AN960-10L	Washer			12
-7	MS21042-3	Nut			6



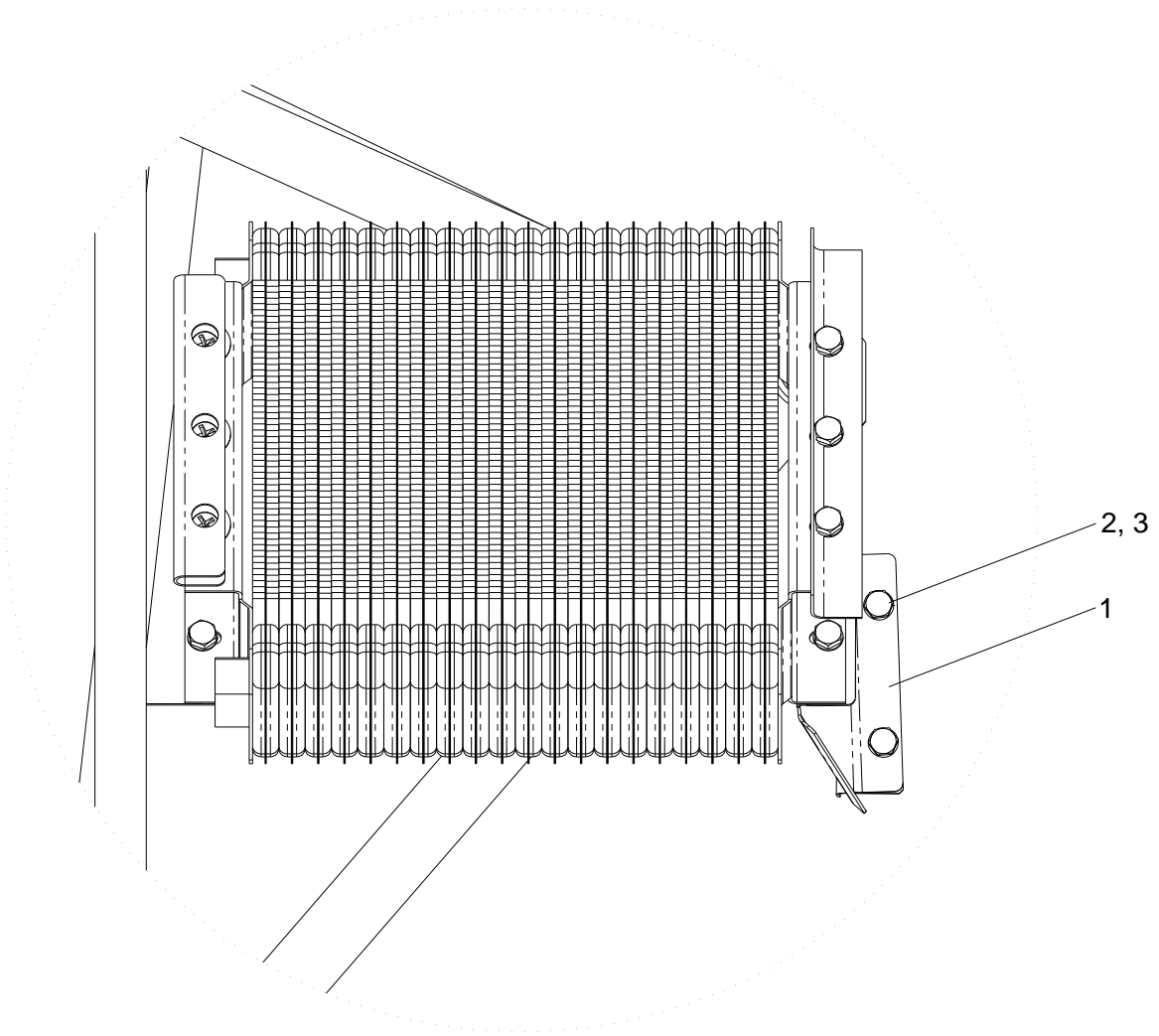
DETAIL F



DETAIL G

Figure 4  
2C3 & 2C4 Oil Cooler Installation

Figure And Index Number	GROUP <b>Oil Cooler</b>		Effect.	Vendor Ident.	Units Per Assy
	MAJOR ASSEMBLY <b>2C3 &amp; 2C4 Oil Cooler &amp; Duct</b>				
	PART No.	DESCRIPTION			
5-	No Number	Oil Cooler Installation			
-1	P2303	Outboard Oil Cooler Bracket			1
-2	AN3-4A	Bolt			2
-3	AN960-10L	Washer			2



DETAIL (E)

Figure 5  
2C3 & 2C4 Oil Cooler Installation

Figure And Index Number	GROUP <b>Oil Cooler</b>		Effect.	Vendor Ident.	Units Per Assy
	MAJOR ASSEMBLY <b>2C3 &amp; 2C4 Oil Cooler &amp; Duct</b>				
	PART No.	DESCRIPTION			
6-	No Number	Plenum Build Up			
-1	P2331	Oil Cooler Plenum			1
-2	P2641	Baffle Tape Retainer			2
-3	01661-00414	Avdel Rivet			8
-4	AN960-4	Washer			8
-5		Chafe Tape			

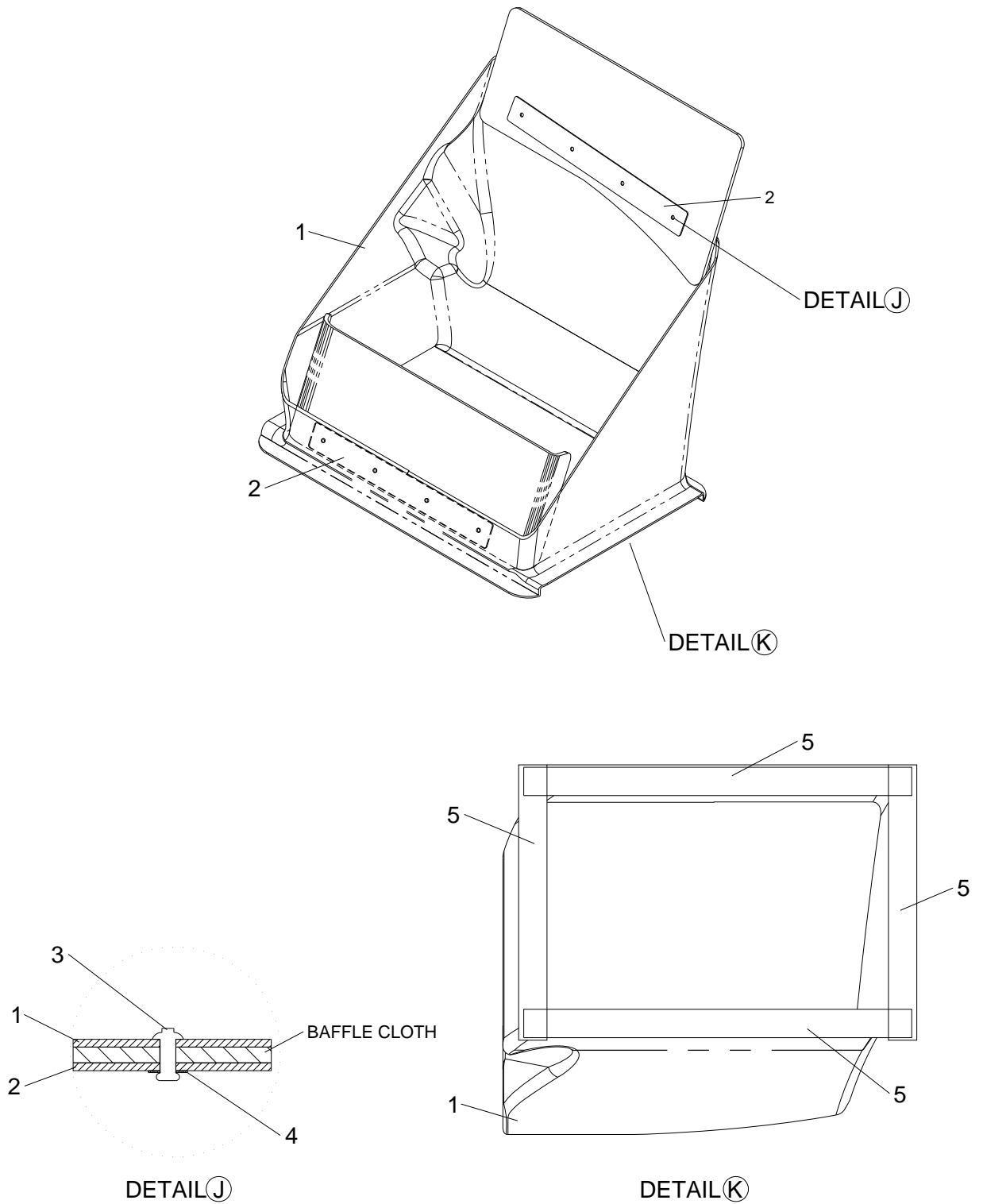


Figure 6  
2C3 & 2C4 Plenum Build Up

Figure And Index Number	GROUP <b>Oil Cooler</b>		Effect.	Vendor Ident.	Units Per Assy
	MAJOR ASSEMBLY <b>2C3 &amp; 2C4 Oil Cooler &amp; Duct</b>				
	PART No.	DESCRIPTION			
7-	No Number	Oil Cooler Duct Installation			
-1	P2331	Oil Cooler Plenum			1
-2	P2333	Oil Cooler Clip			1
-3	DW10SS	Stainless Steel C/S Washer			3
-4	AN960-10L	Washer			3
-5	MS21042-3	Nut			3
-6	MS24694-S51	Countersunk Screw			3
-7	20662A	20 Tube Oil Cooler			1

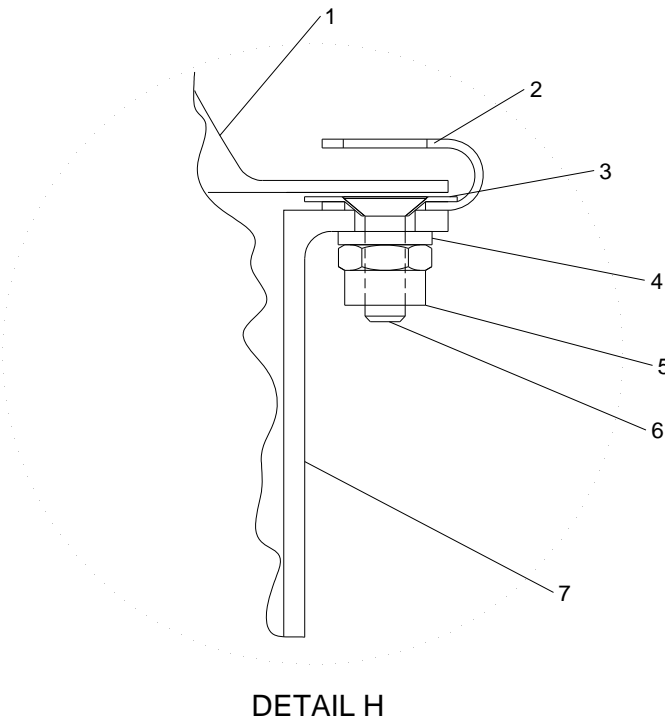
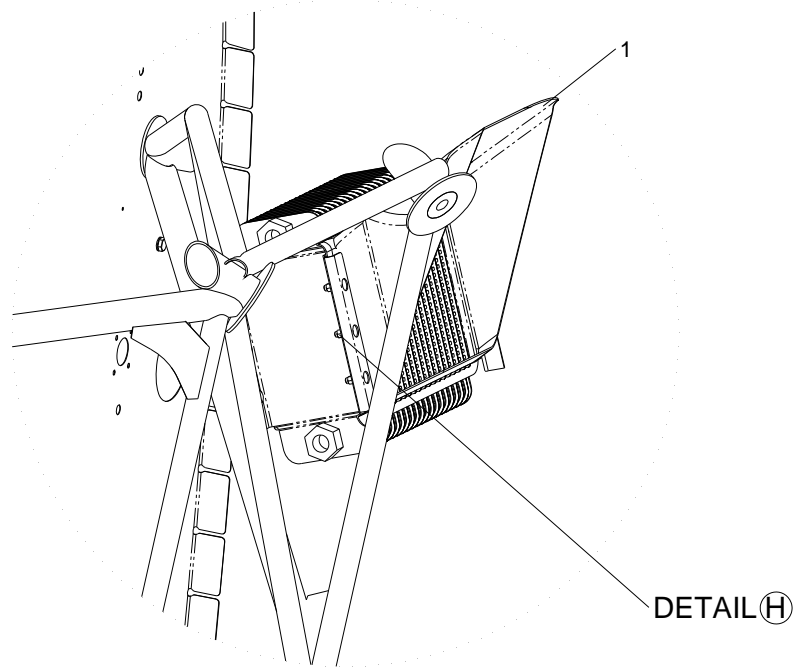


Figure 7  
2C3 & 2C4 Oil Cooler Duct Installation