

# CHAPTER 78

# ENGINE EXHAUST



Figure And Index Number	GROUP <b>Engine Exhaust</b>		Effect.	Vendor Ident.	Units Per Assy
	MAJOR ASSEMBLY <b>2C1 &amp; 2C2 Exhaust System</b>				
	PART No.	DESCRIPTION			
1-		2C1 & 2C2 Exhaust Manifold Assembly			
-1	P250-1	Collector (LH)			1
-2	P250-2	Collector (RH)			1
-3	P285	Exhaust Clamp Assembly			1
-4	AN4-10A	Bolt			1
-5	AN960-416	Washer			2
-6	MS21045L4	Nut			1

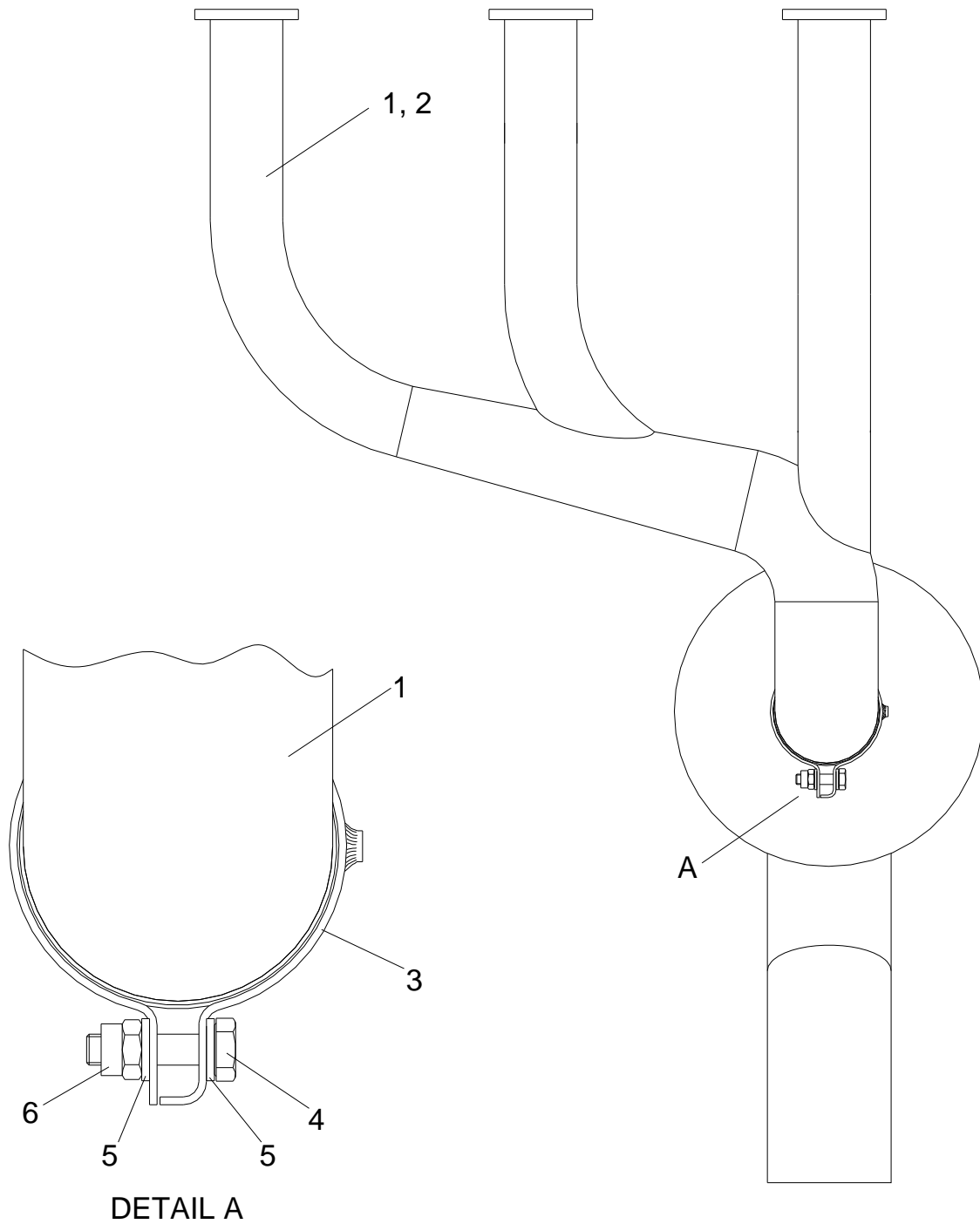


Figure 1  
2C1 & 2C2 Exhaust System

Figure And Index Number	GROUP <b>Engine Exhaust</b>		Effect.	Vendor Ident.	Units Per Assy
	MAJOR ASSEMBLY <b>2C3 &amp; 2C4 Exhaust System</b>				
	PART No.	DESCRIPTION			
1-		2C3 & 2C4 Exhaust System			
-1	P2209	Port Fwd Riser Assembly			1
-2	P2210	Stbd. Fwd Riser Assembly			1
-3	P2211	Port Mid Riser Assembly			1
-4	P2212	Stbd. Mid Riser Assembly			1
-5	P2213	Port Aft Riser Assembly			1
-6	P2214	Stbd. Aft Riser Assembly			1
-7	P2227	Muffler Assembly			2

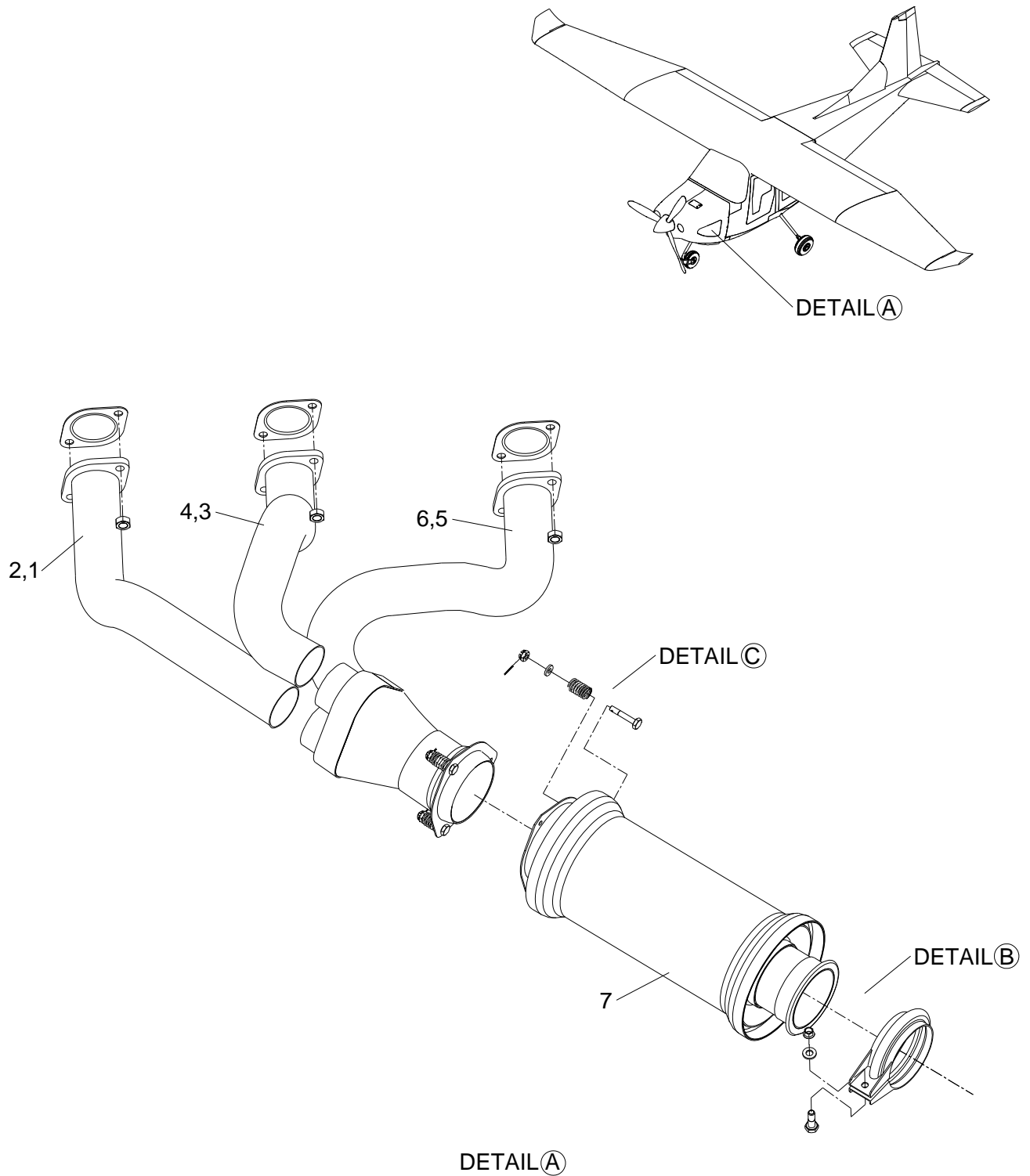


Figure 1  
2C3 & 2C4 Exhaust System

Figure And Index Number	GROUP <b>Engine Exhaust</b>		Effect.	Vendor Ident.	Units Per Assy
	MAJOR ASSEMBLY <b>2C3 &amp; 2C4 Exhaust System</b>				
	PART No.	DESCRIPTION			
2-		Tail Pipe Installation			
-1	P4223	Tail Pipe Assembly			2
-2	099004-204	Clamp (Dawley)			2
-3	AN4-13A	Bolt			2
-4	AN960-416	Washer			2
-5	MS21042-4	Nut			2
-6	AN3-12	Bolt			3
-7	1243-1	Spring			3
-8	AN960-10	Washer			3
-9	AN310-3	Nut			3
-10	MS24665-151	Cotter Pin			3

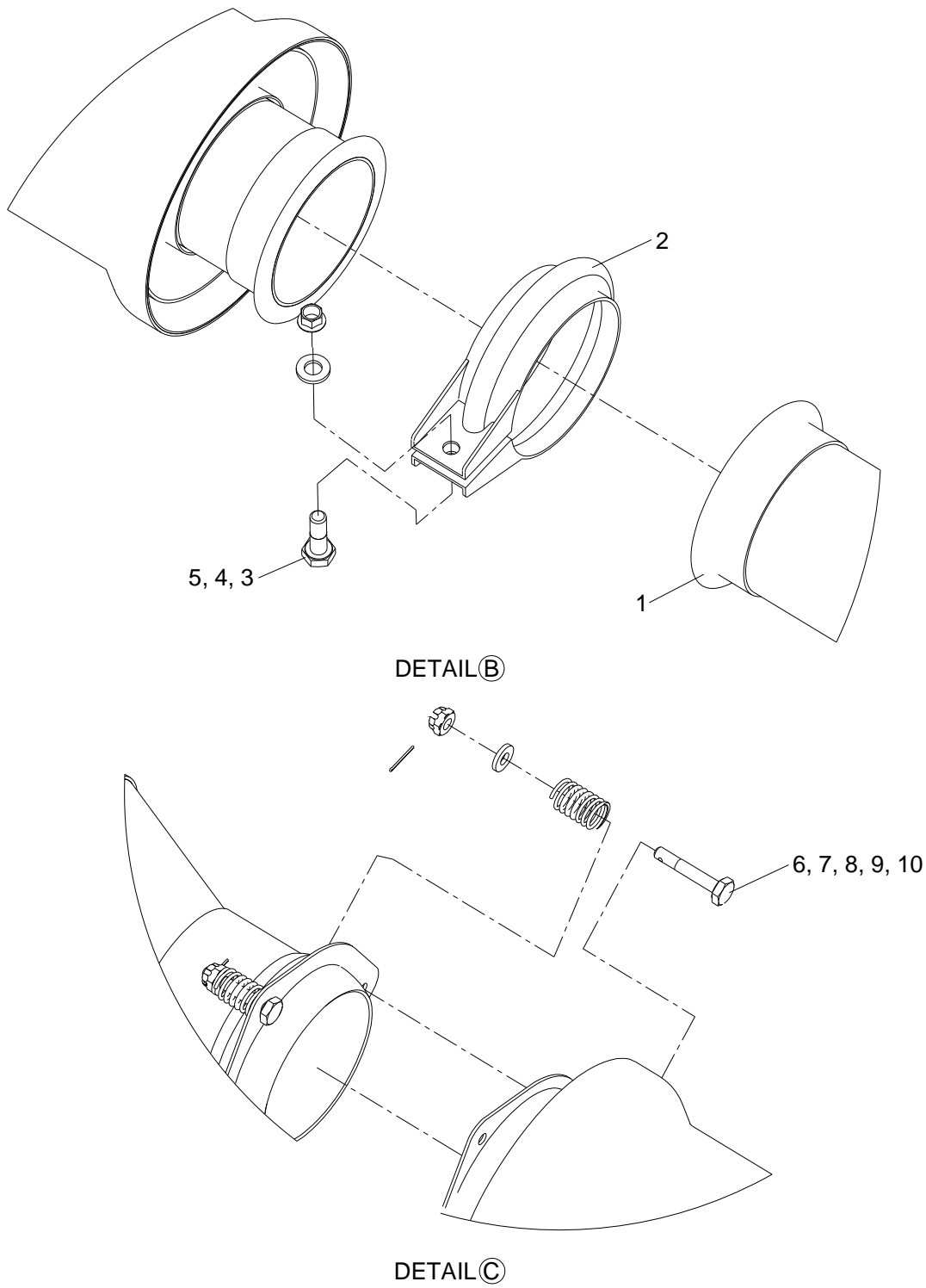


Figure 2  
2C3 & 2C4 Tail Pipe Installation