

CHAPTER 73

ENGINE FUEL

List of Effective Pages

Chapter / Section	Page No.	Date
73-00	1	Jul 14, 2011
	2	Jul 14, 2011
73-30	1	Jul 14, 2011
	2	Jul 14, 2011
	3	Jul 14, 2011
	4	Jul 14, 2011

Chapter / Section	Page No.	Date

Figure And Index Number	GROUP Engine Fuel		Effect.	Vendor Ident.	Units Per Assy
	MAJOR ASSEMBLY Fuel Flow Indicating System (2C1/2C2)				
	PART No.	DESCRIPTION			
1-	No Name	Fuel Flow Gauge FP-5			
-1	FT-60	Fuel Flow Transducer		EIT	1
-2	FP-5	Fuel Flow Gauge		EIT	1
-3	MS3320-1	Circuit Breaker 1 Ampere		TIN	1

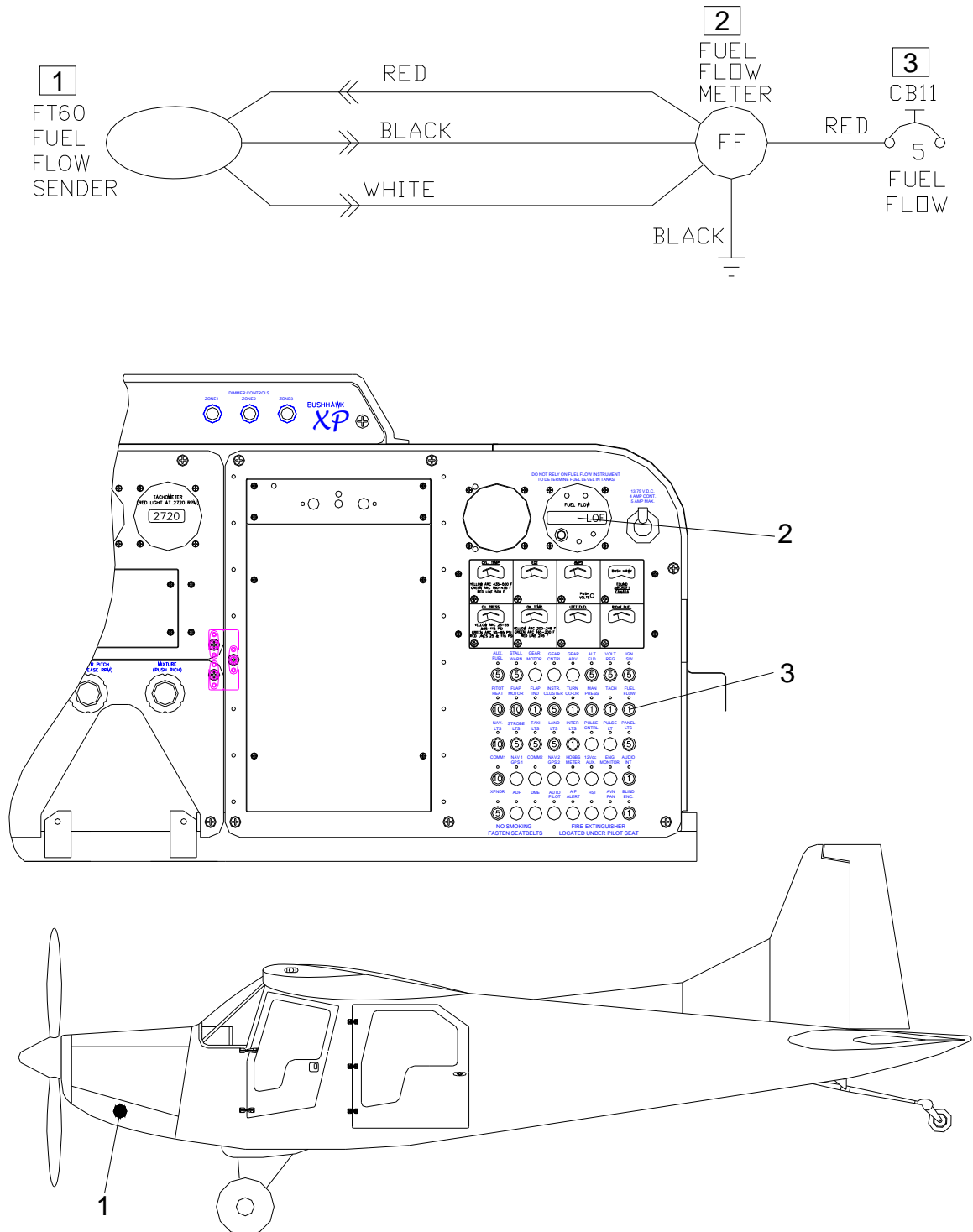


Figure 1
Fuel Flow Gauge FP-5 (2C1/2C2)
(For 2C3/2C4 see chapter 77 section 77-40)

Figure And Index Number	GROUP Engine Fuel		Effect.	Vendor Ident.	Units Per Assy
	MAJOR ASSEMBLY Fuel Flow Indicating System (2C1/2C2)				
	PART No.	DESCRIPTION			
2-	No Name	Fuel Flow Gauge FP-5L			
-1	FT-60	Fuel Flow Transducer		EIT	1
-2	FP-5L	Fuel Flow Gauge		EIT	1
-3	MS3320-1	Circuit Breaker 1 Ampere		TIN	1

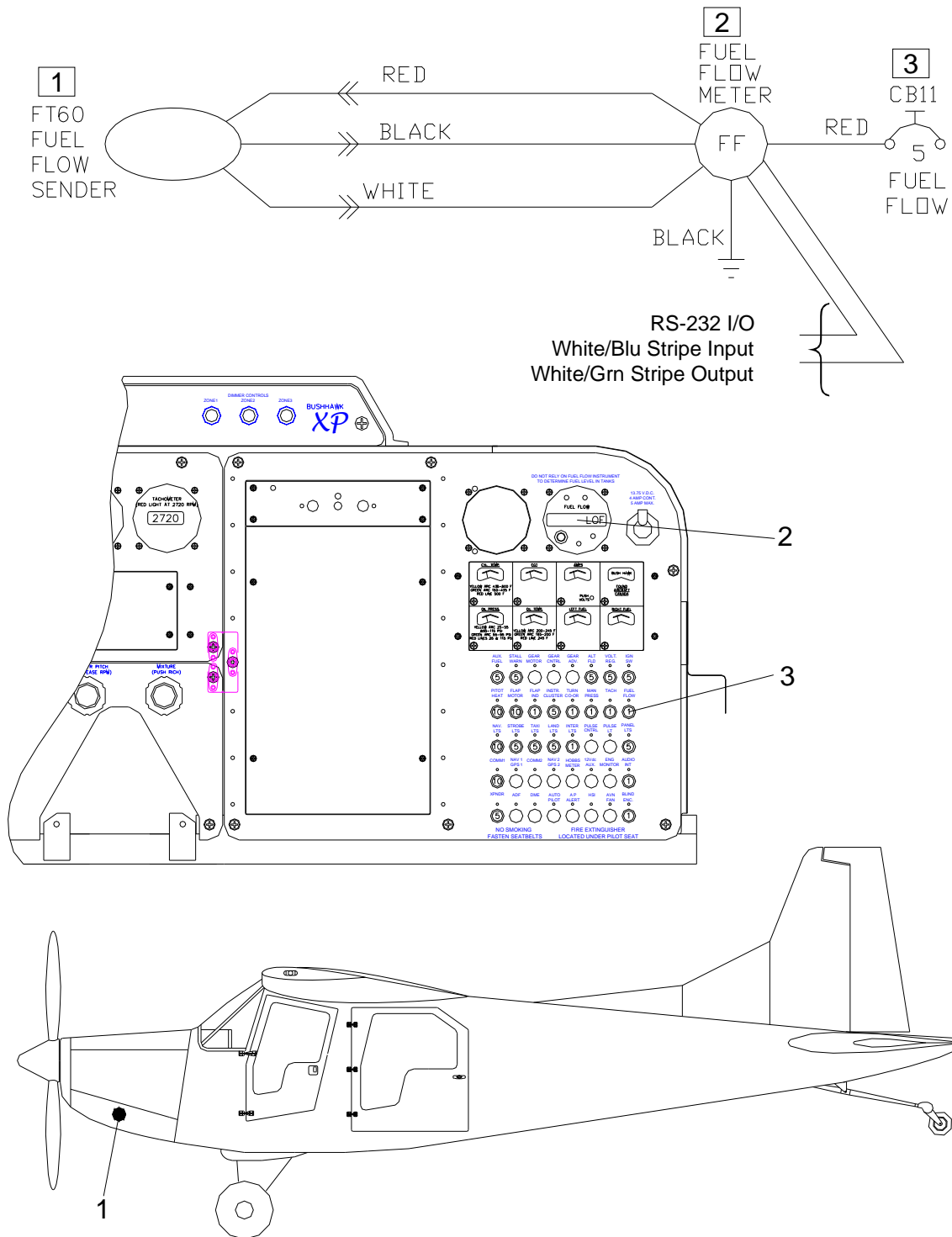


Figure 2
Fuel Flow Gauge FP-5L (2C1/2C2)
(For 2C3/2C4 see chapter 77 section 77-40)