

# **CHAPTER 61**

# **PROPELLER**

### List of Effective Pages

Chapter / Section	Page No.	Date
61-00	1	Jul 14, 2011
	2	Jul 14, 2011
61-20	1	Jul 14, 2011
	2	Jul 14, 2011
	3	Jul 14, 2011
	4	Jul 14, 2011

Chapter / Section	Page No.	Date
-------------------	----------	------

Figure And Index Number	GROUP <b>Propeller</b>		Effect.	Vendor Ident.	Units Per Assy
	MAJOR ASSEMBLY <b>2C1 &amp; 2C2 Pitch Control</b>				
	PART No.	DESCRIPTION			
1-	N45-1	Engine Installation 300HP (Pitch Control)			
-1	P192-1	Governor Control Bracket Assy.			1
-2	F353-35	Eyeball Assembly			1
-3	565-550-C-T-76	Pitch Cable		TUT	1
-4	AS1072-6	Fire Shield Sleeve			
-5	HF3M	Rod End		HEI	1
-6	DWO10SS	Washer, Countersunk, #8			1
-7	AN960-10L	Washer, Plain Flat, 3/16 Dia.			4
-8	AN3-7	Bolt, Hex Head, 3/16 Dia.			1
-9	AN310-3	Nut, Castellated, 3/16 Dia.			1
-10	MS24665-134	Cotter Pin			1
-11	MS20074-04-13	Bolt, Drill Head, Coarse Thread. ¼ Dia			2
-12	AN315-3	Nut, Jam, 3/16 Dia.			1
-13	MS21919WCJ4	Adel Clamp			1
-14	MS21919WCJ12	Adel Clamp			1
-15	AN525-10R8	Screw, Washer Head, 3/16 Dia.			1
-16	AN960-10	Washer, Plain Flat, 3/16 Dia			1
-17	MS21083N3	Nut, Self Locking, 3/16 Dia.			1

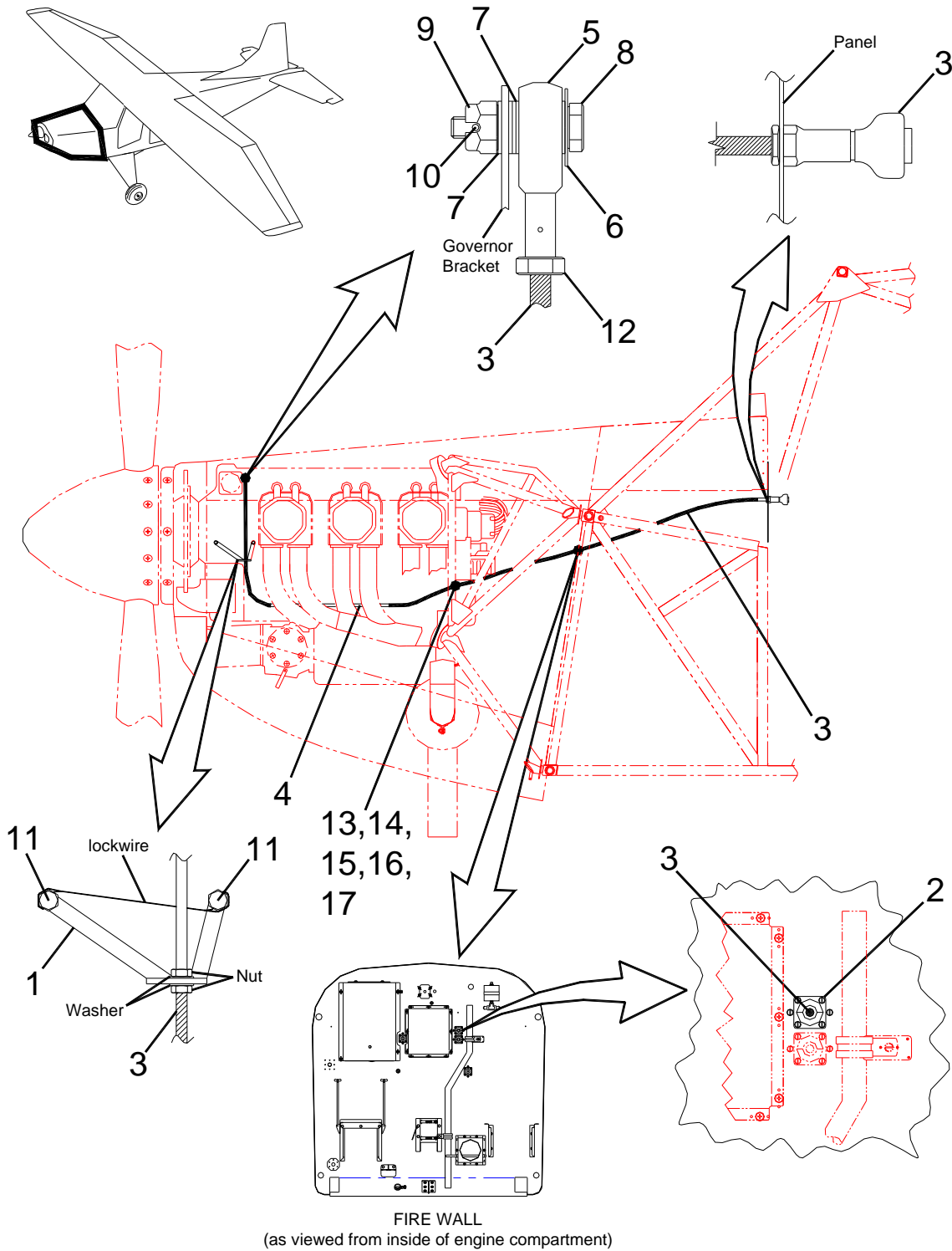


Figure 1  
2C1 & 2C2 Pitch Control

Figure And Index Number	GROUP <b>Propeller</b>		Effect.	Vendor Ident.	Units Per Assy
	MAJOR ASSEMBLY	<b>2C3 &amp; 2C4 Pitch Control</b>			
	PART No.	DESCRIPTION			
1-	N2309	2C3 & 2C4 Pitch Control Installation			
-1	565-550-C-T-76	Pitch Cable		TUT	1
-2	AN315-3	Jam Nut, #10			1
-3	AN3-7	Bolt, Hex Head, #10			1
-4	AN970-3	Washer, Flat, #10			1
-5	AN960-10	Washer, Plain Flat, #10			3
-6	HF3M	Rod End		HEI	1
-7	AN960-10L	Washer, Thin Flat, #10			1
-8	AN310-3	Nut, Castellated, #10			1
-9	MS24665-151	Cotter Pin			1
-10	P192-1	Governor Control Bracket Assembly			1
-11	AS1072-6	Fire Shield Sleeve			1
-12	AN3-3A	Bolt, Hex Head, #10			1
-13	MS21919WCJ26	Adel Clamp			1
-14	MS21919WCJ12	Adel Clamp			1
-15	MS21042-3	Nut, #10			1
-16	F353-35	Eyeball Assembly			1
-17	MS20074-04-13	Bolt, Drill Head, Coarse Thread, ¼ Dia			2

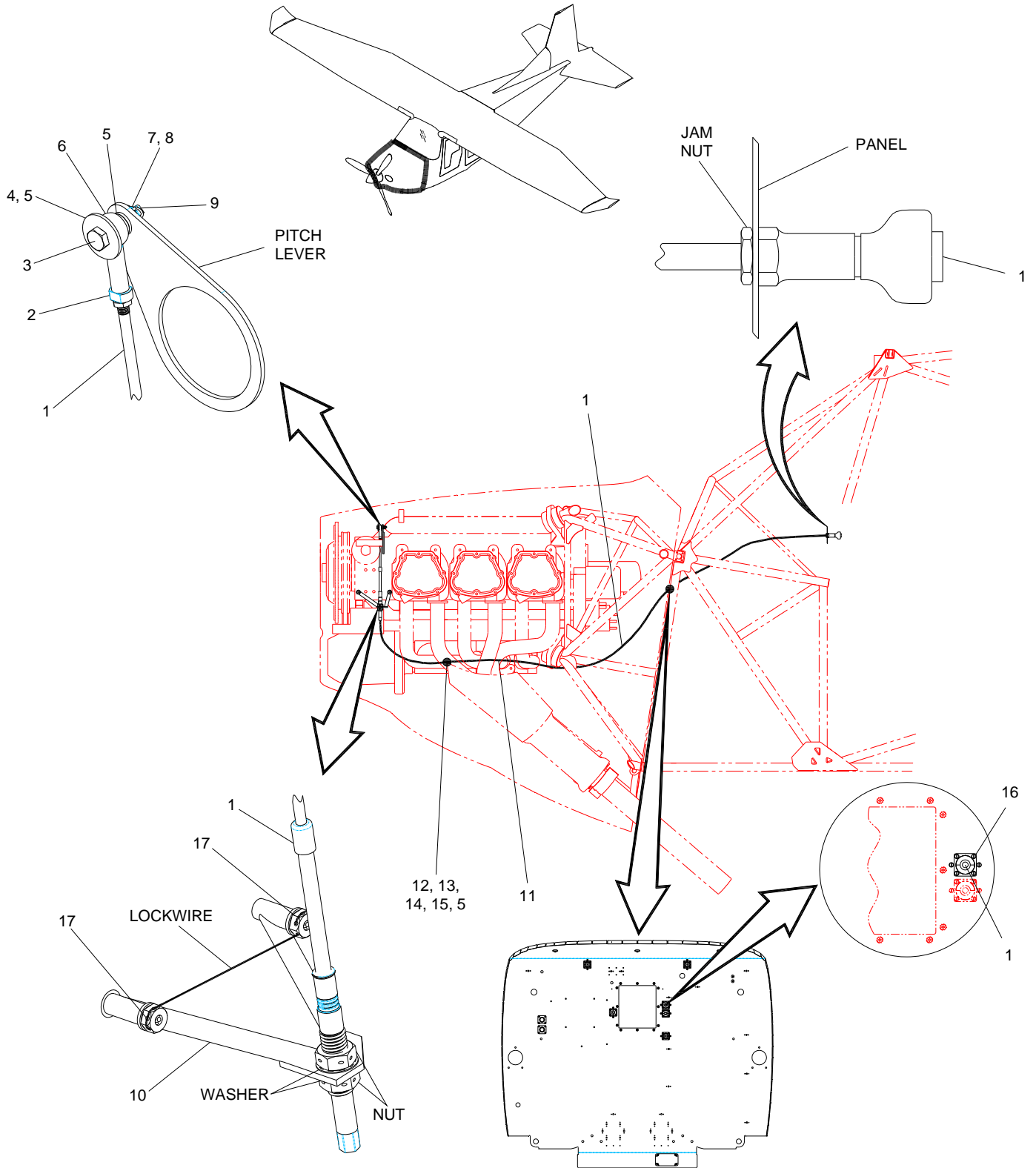


Figure 1  
2C3 & 2C4 Pitch Control