

CHAPTER 57

WING

List of Effective Pages

Chapter / Section	Page No.	Date
57-00	1	Jul 14, 2011
	2	Jul 14, 2011
57-32	1	Jul 14, 2011
	2	Jul 14, 2011
57-41	1	Jul 14, 2011
	2	Jul 14, 2011
	3	Jul 14, 2011
	4	Jul 14, 2011
	5	Jul 14, 2011
	6	Jul 14, 2011
57-51	1	Jul 14, 2011
	2	Jul 14, 2011
57-53	1	Jul 14, 2011
	2	Jul 14, 2011

Chapter / Section	Page No.	Date

Figure And Index Number	GROUP Wing		Effect.	Vendor Ident.	Units Per Assy
	MAJOR ASSEMBLY VG/Swept Wingtip Option				
	PART No.	DESCRIPTION			
1-	N267	Installation, Swept Wingtip			
-1	TF1802	Swept Wingtip Positioning Tool			1
-2	W1111	Assembly, Swept Wingtip (LH)			1
	W1112	Assembly, Swept Wingtip (RH)			1
-3	W1113	Shear Clip, Swept Wingtip			2
-4	L949	Extension Cord, Position Lights			2
-5	L951	Extension Cord, Position Lights			2
-6	L45	Bonding Wire			2
-7	AN525-832R6	Screw			32
-8	L909	Harness, Strobe/Position Light (LH)			1
	L910	Harness, Strobe/Position Light (RH)			1
-9	N275	Installation, Full Span VG			
-10	RAP-VG-10C12	Vortex Generator			72
-11	TF1709	Vortex Generator Template			12
	TF1699	Vortex Generator Template (LH)			1
-12	TF1700	Vortex Generator Template (RH)			1
	X969	Placard			1

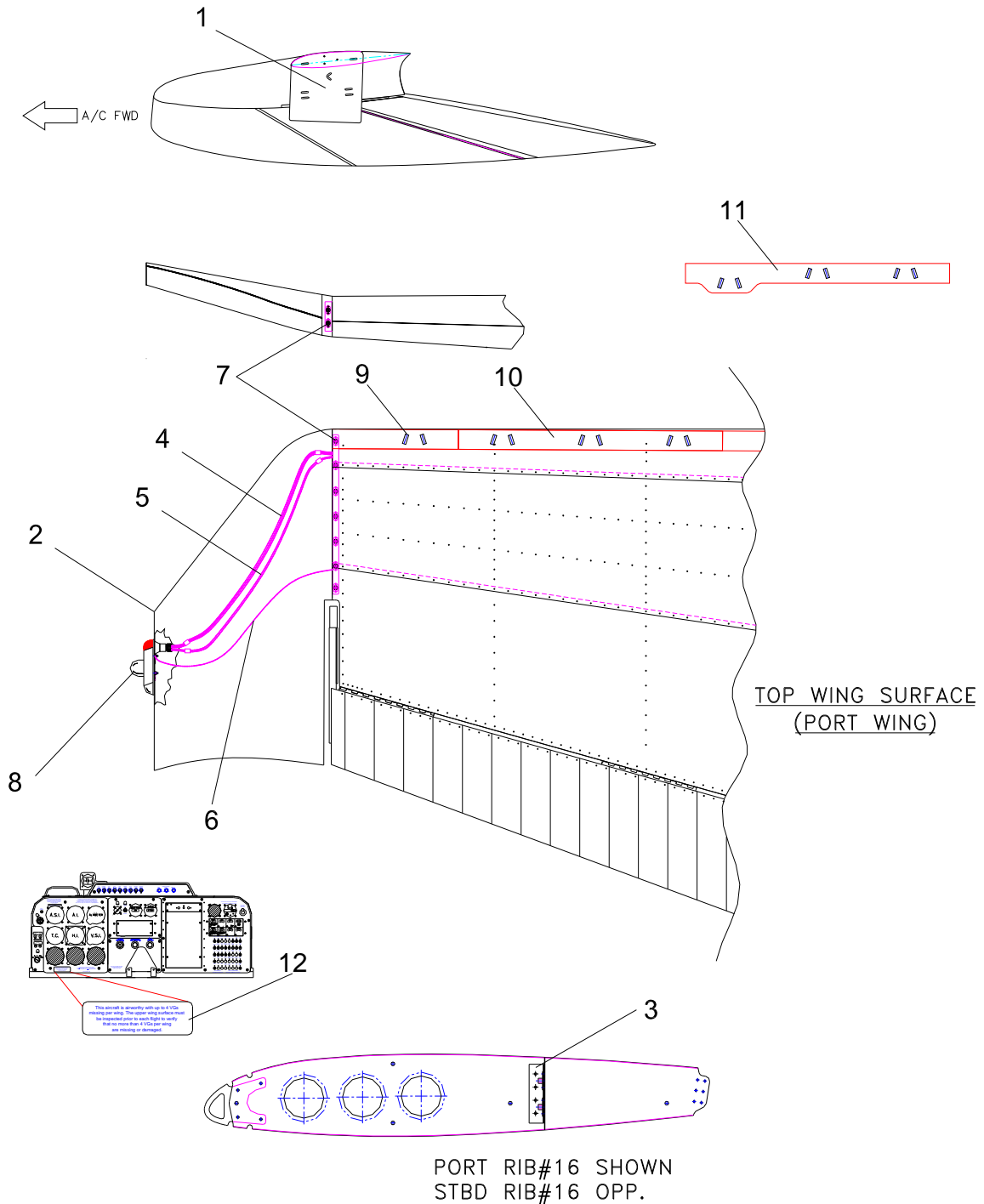
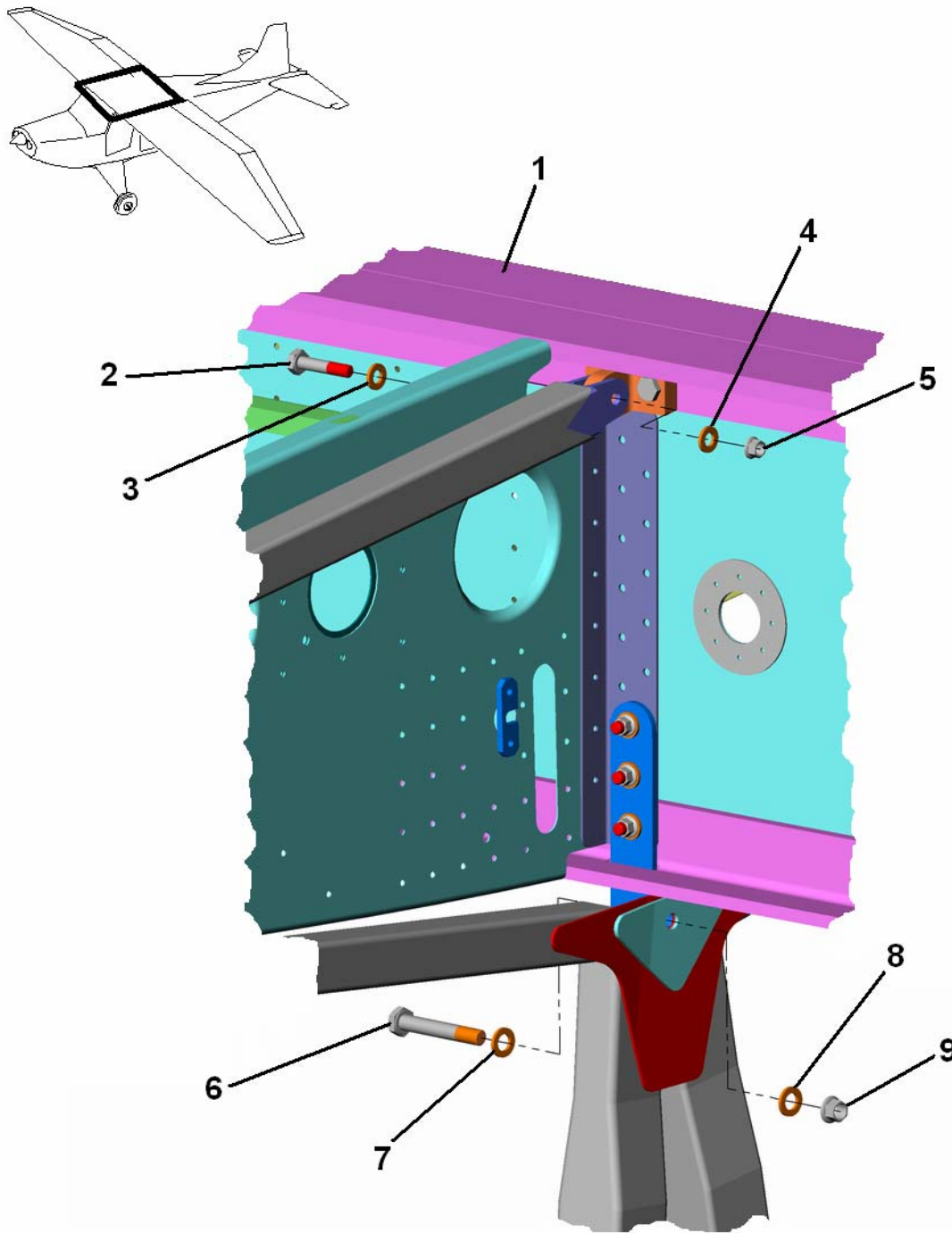


Figure 1
VG/Swept Wingtip Option

Figure And Index Number	GROUP Wing		Effect.	Vendor Ident.	Units Per Assy
	MAJOR ASSEMBLY	Wing Assembly and Installation			
	PART No.	DESCRIPTION			
1-	N99	Wing Assembly and Installation			
-1	W999	Inboard Wing Assembly			1
-2	NAS6204-12	Bolt Hex Head, 1/4 Dia.			2
-3	MS21299C4	Washer, Csk, 1/4 Dia.			3
-4	AN960-416	Washer Plain Flat, 1/4 Dia.			2
-5	MS21042-4	Nut Self Locking, 1/4 Dia.			2
-6	NAS6205-22	Bolt Hex Head, 5/16 Dia.			2
-7	MS21299C5	Washer, Csk, 5/16 Dia.			2
-8	AN960-516	Nut Self Locking, 5/16 Dia.			2
-9	MS21042-5	Nut Self Locking, 5/16 Dia.			2



**VIEW ON PORT SIDE AT
AFT MAIN SPAR FACE**

Figure 1 (Sheet 1)
Wing Installation

Figure And Index Number	GROUP Wing		Effect.	Vendor Ident.	Units Per Assy
	MAJOR ASSEMBLY	Wing Assembly and Installation			
	PART No.	DESCRIPTION			
1-					
-10	F343-203	Fail Safe Link			4
-11	F343-333	Sleeve			2
-12	NAS6204-13	Bolt Hex Head, ¼ Dia.			2
-13	NAS6204-17	Bolt Hex Head, ¼ Dia.			2
-14	MS21299C4	Washer Csk, ¼ Dia.			4
-15	AN960-416	Washer Plain Flat, ¼ Dia.			4
-16	MS21042-4	Nut Self Locking, ¼ Dia.			4

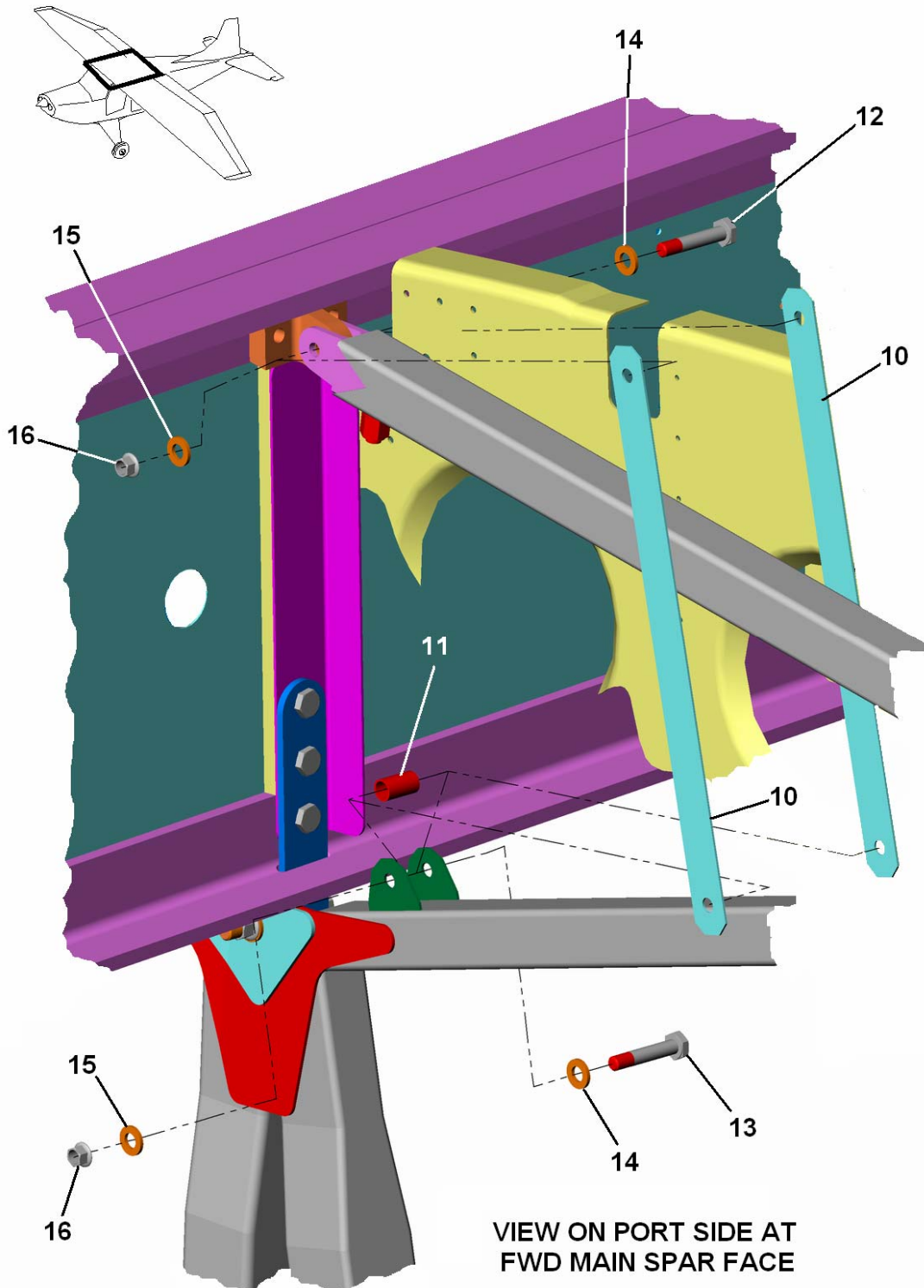
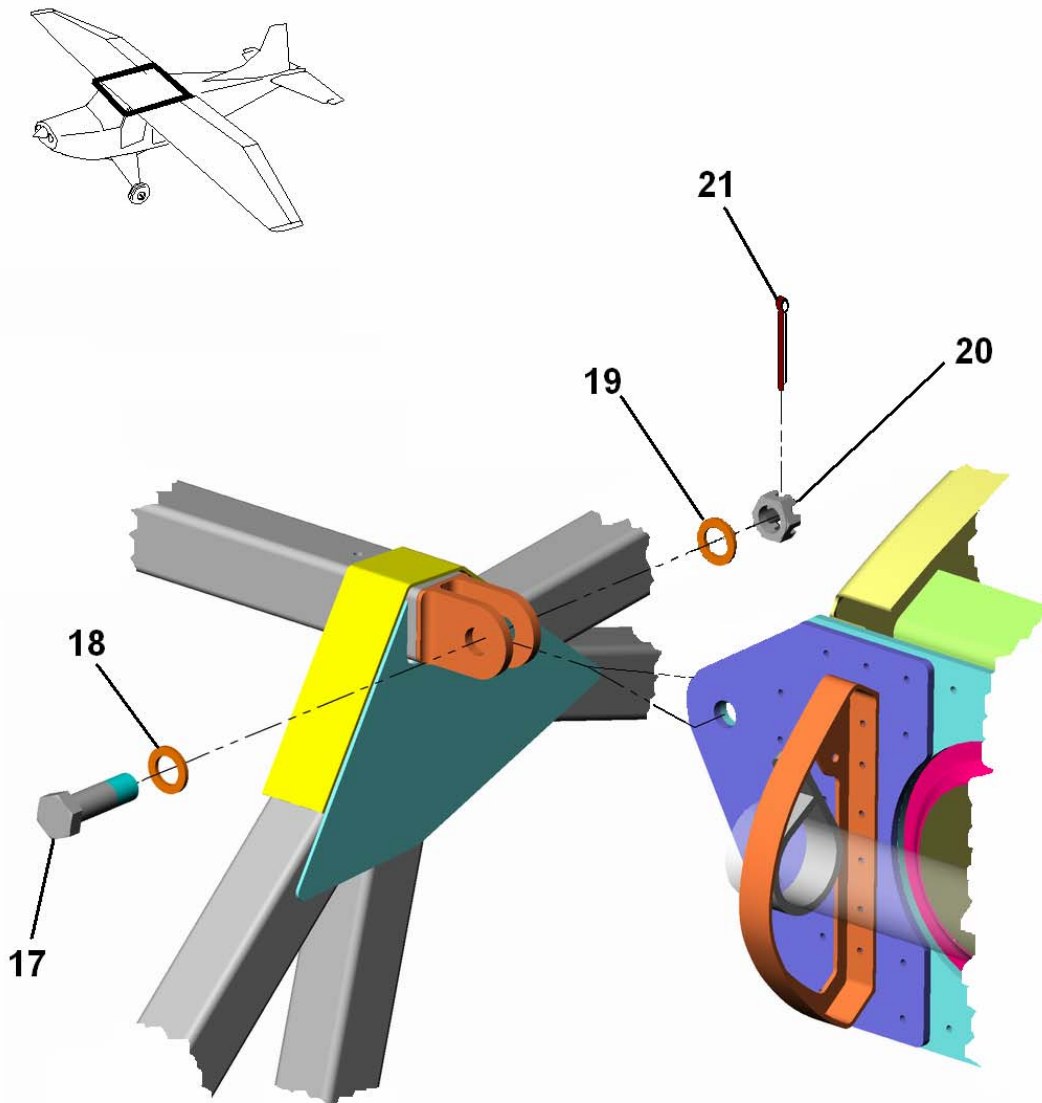


Figure 1 (Sheet 2)
Wing Installation

Figure And Index Number	GROUP Wing		Effect.	Vendor Ident.	Units Per Assy
	MAJOR ASSEMBLY	Wing Assembly and Installation			
	PART No.	DESCRIPTION			
1-					
-17	NAS6206-13D	Bolt Hex Head, Drilled, 3/8 Dia.			2
-18	MS21299C6	Washer Csk, 3/8 Dia.			2
-19	AN960-616	Washer Plain Flat, 3/8 Dia.			2
-20	AN320-6	Nut, Plain, Castellated, 3/8 Dia.			2
-21	MS24665-300	Cotter Pin, Split			2



**WING FWD SPAR ATTACHMENT
(VIEW ON PORT SIDE)**

Figure 1 (Sheet 3)
Wing Installation

Figure And Index Number	GROUP Wing		Effect.	Vendor Ident.	Units Per Assy
	MAJOR ASSEMBLY Aileron Control System Installation				
	PART No.	DESCRIPTION			
1-					
-1	A15-1	Assembly Aileron (LH)			1
	A15-2	Assembly Aileron (RH)			1
-2	A15-41	Balance Weight Aileron (LH)			1
	A15-42	Balance Weight Aileron (RH)			1
-3	MS24694-S103	Screw Machine Csk Head ¼ Dia.			4
-4	MS21042-4	Nut Self-Locking ¼ Dia.			4
-5	AN960-416	Washer Flat ¼ Dia.			4
-6	A20-1	Hinge Pin Aileron (LH)			2
-7	A20-2	Hinge Pin Aileron (RH)			2
-8	AN525-832R8	Screw Washer Head 3/16 Dia.			4
-9	AN960-8	Washer Flat 3/16 Dia.			4

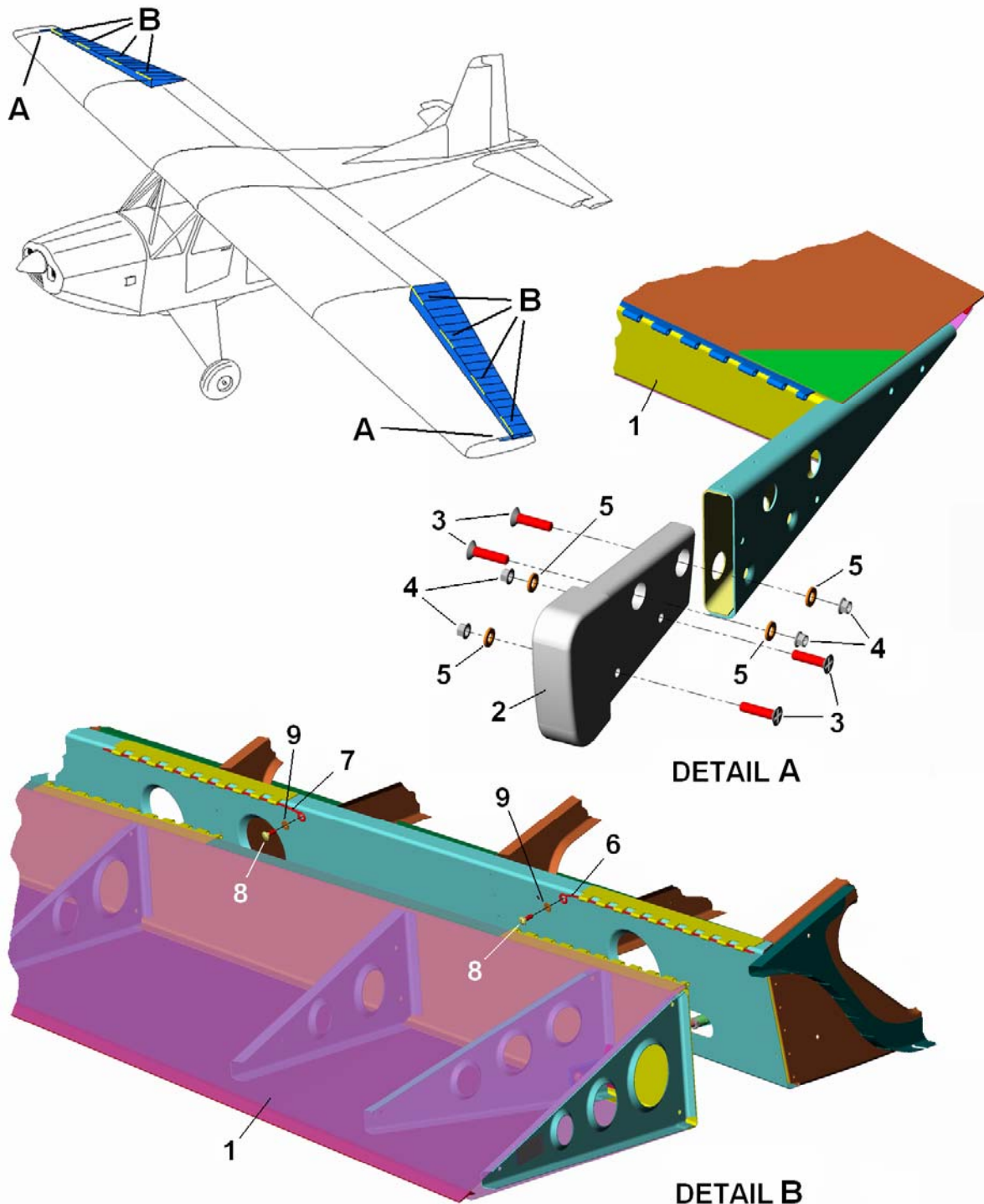


Figure 1
Aileron Assembly

Figure And Index Number	GROUP Wing		Effect.	Vendor Ident.	Units Per Assy
	MAJOR ASSEMBLY Fowler Flap Installation				
	PART No.	DESCRIPTION			
1-	No Number	Flap Installation			
-1	J100	Assembly Flap Fowler			2
-2	W255	Track Flap			4
	J181	Assembly Spacer & Bushing			8
-3	J119	Spacer			16
-4	BSNFLN-1624A8U	Bushing Flanged		QBC	16
-5	MS21438-104 or ATF-4	Bearing Roller		TOR	8
-6	NAS6204-13	Bolt Hex Head 1/4 Dia.			8
-7	MS21042-4	Nut Self Locking 1/4 Dia.			8
-8	AN960-416	Washer Flat 1/4 Dia.			8
-9	AN3-6A	Bolt Hex Head 3/16 Dia.			24
-10	AN3-5A	Bolt Hex Head 3/16 Dia.			4
-11	MS21042-4	Nut Self Locking 3/16 Dia.			28
-12	AN960-10	Washer Flat 3/16 Dia.			52

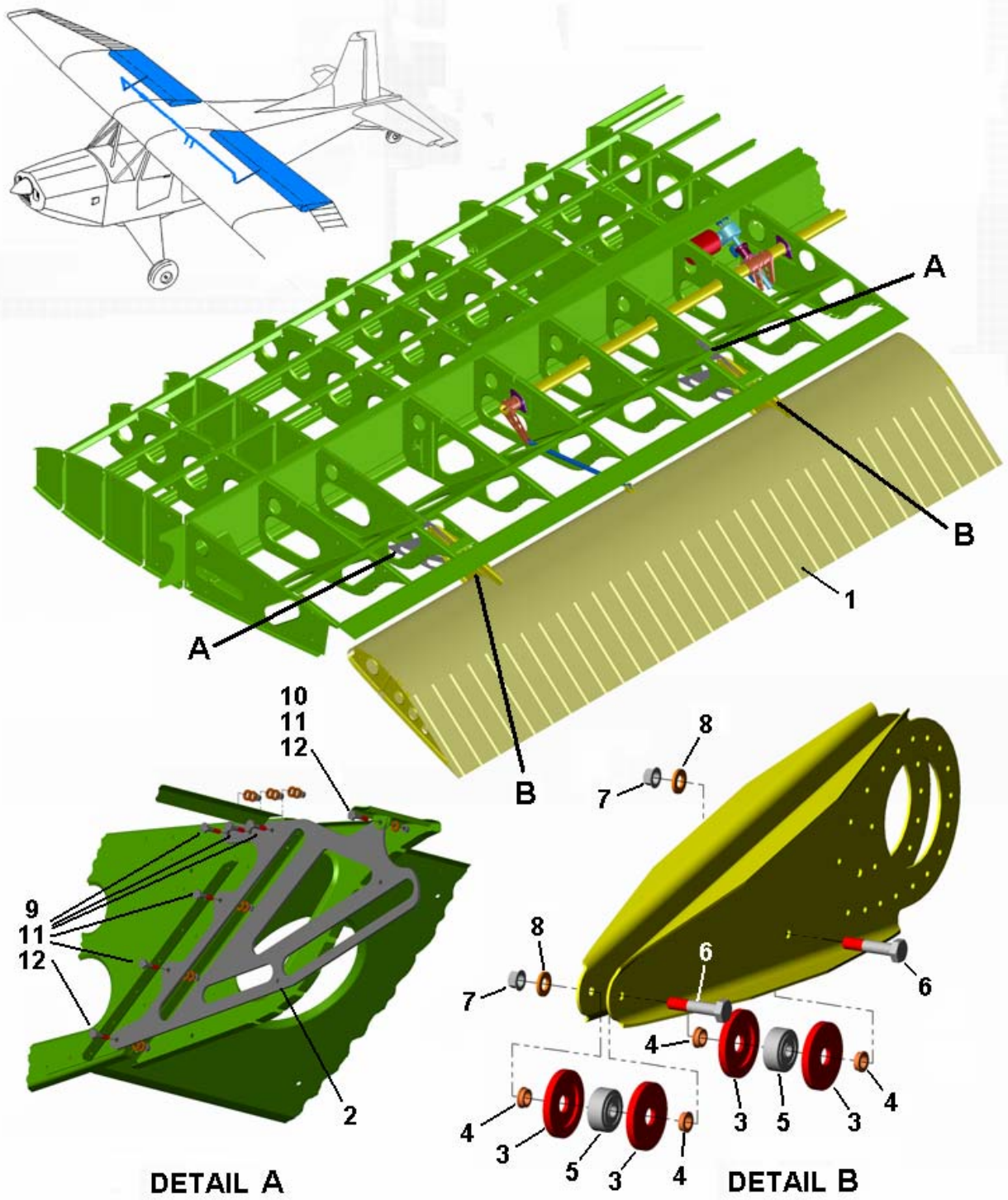


Figure 1
Flap Installation