

# **CHAPTER 56**

# **WINDOWS**

### List of Effective Pages

Chapter / Section	Page No.	Date
56-00	1	Jul 14, 2011
	2	Jul 14, 2011
56-10	1	Jul 14, 2011
	2	Jul 14, 2011
	3	Jul 14, 2011
	4	Jul 14, 2011

Chapter / Section	Page No.	Date
-------------------	----------	------

Figure And Index Number	GROUP <b>Windows</b>		Effect.	Vendor Ident.	Units Per Assy
	MAJOR ASSEMBLY <b>2C1 &amp; 2C2 Windshield</b>				
	PART No.	DESCRIPTION			
1-	K28-1	Windshield Installation			
-1	K28-11	Fwd Retainer (Inside)			2
-2	K28-19	Aft Retainer (LH) (Inside)			1
	K28-20	Aft Retainer (RH) (Inside)			1
-3	K28-21	Windshield Support Angle			1
-4	K28-25	Lower Retainer (LH)			1
	K28-26	Lower Retainer (RH)			1
-5	K28-27	Side Window (RH)			1
-6	K28-3	Fwd Retainer (LH) (Outside)			1
	K28-4	Fwd Retainer (RH) (Outside)			1
-7	K28-5	Fiberglass Retainer (Outside)			1
-8	K28-6	Port Side Window (LH)			1
-9	K9	Windshield			1
-10	W900-111	Windshield Retainer			1
-11	2716	OAT Thermometer		SCA	1
-12	AN525-832R8	Screw, Washer Head No. 8-32			64
-13	AN960-8L	Washer, Flat, Thin			48
-14	MS21042L08	Self Locking Nut, No. 8, Lubricated			16
-15	VM113-03500	Vista Vent Kit			2
-16	AN3-4A	Bolt			10
-17	MS21083N08	Self Locking Nut			28

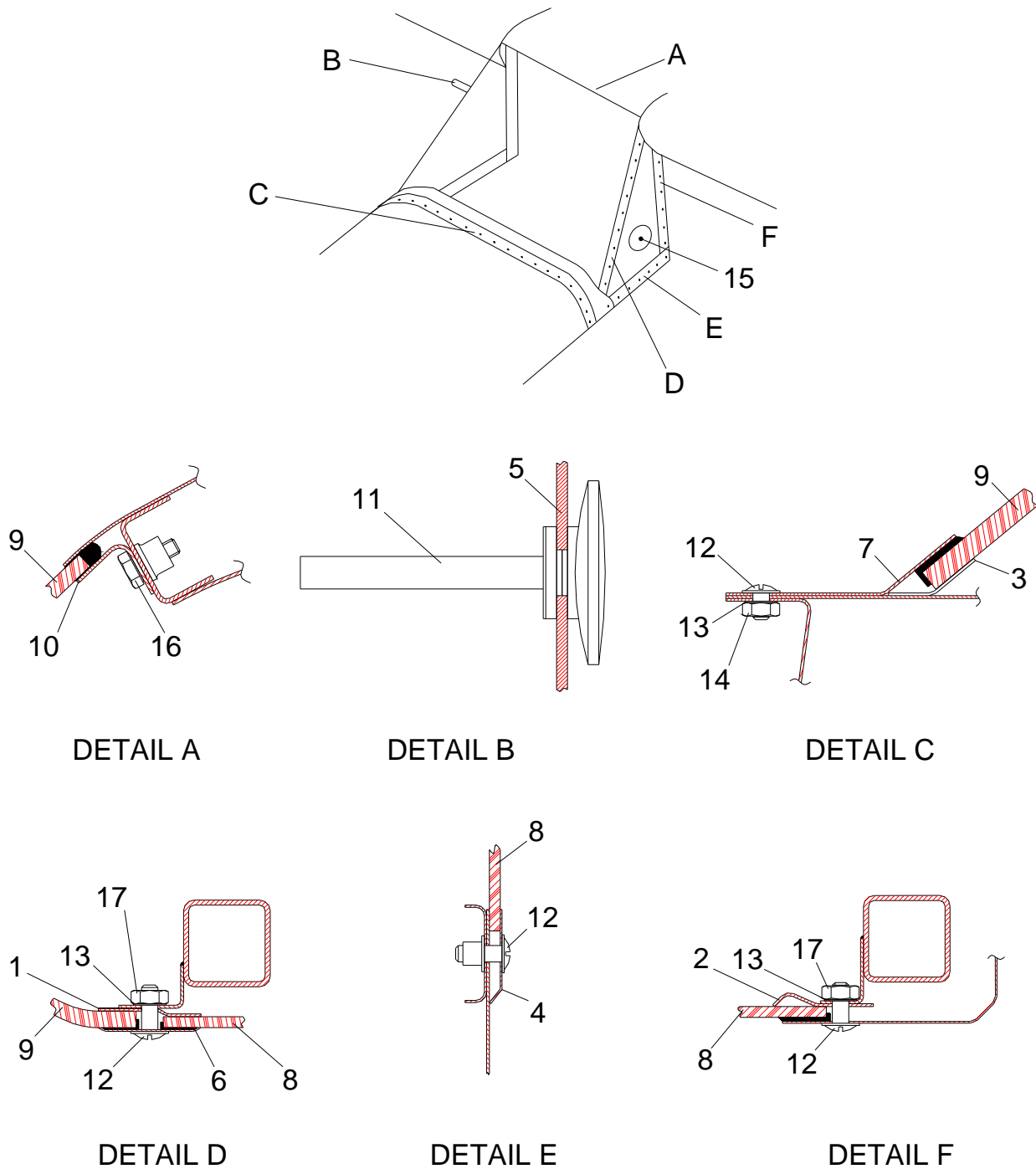


Figure 1  
2C1 & 2C2 Windshield Installation

Figure And Index Number	GROUP <b>Windows</b>		Effect.	Vendor Ident.	Units Per Assy
	MAJOR ASSEMBLY <b>2C3 &amp; 2C4 Windshield</b>				
	PART No.	DESCRIPTION			
1-	N2005	Windshield Installation			
-1	K2000	Windshield			1
-2	K2295	Side Windshield Retainer (LH)			1
-3	K2293	Lower Windshield Retainer			1
-4	K2296	Side Windshield Retainer (RH)			1
-5	AN526C832R9	Screw			17
-6	AN960C8L	Washer			34
-7	MS21083C08	Nut (or MS21059L08 Nutplate)			17
-8	W900-111	Upper Windshield Retainer			1
-9	AN3-4A	Bolt			10

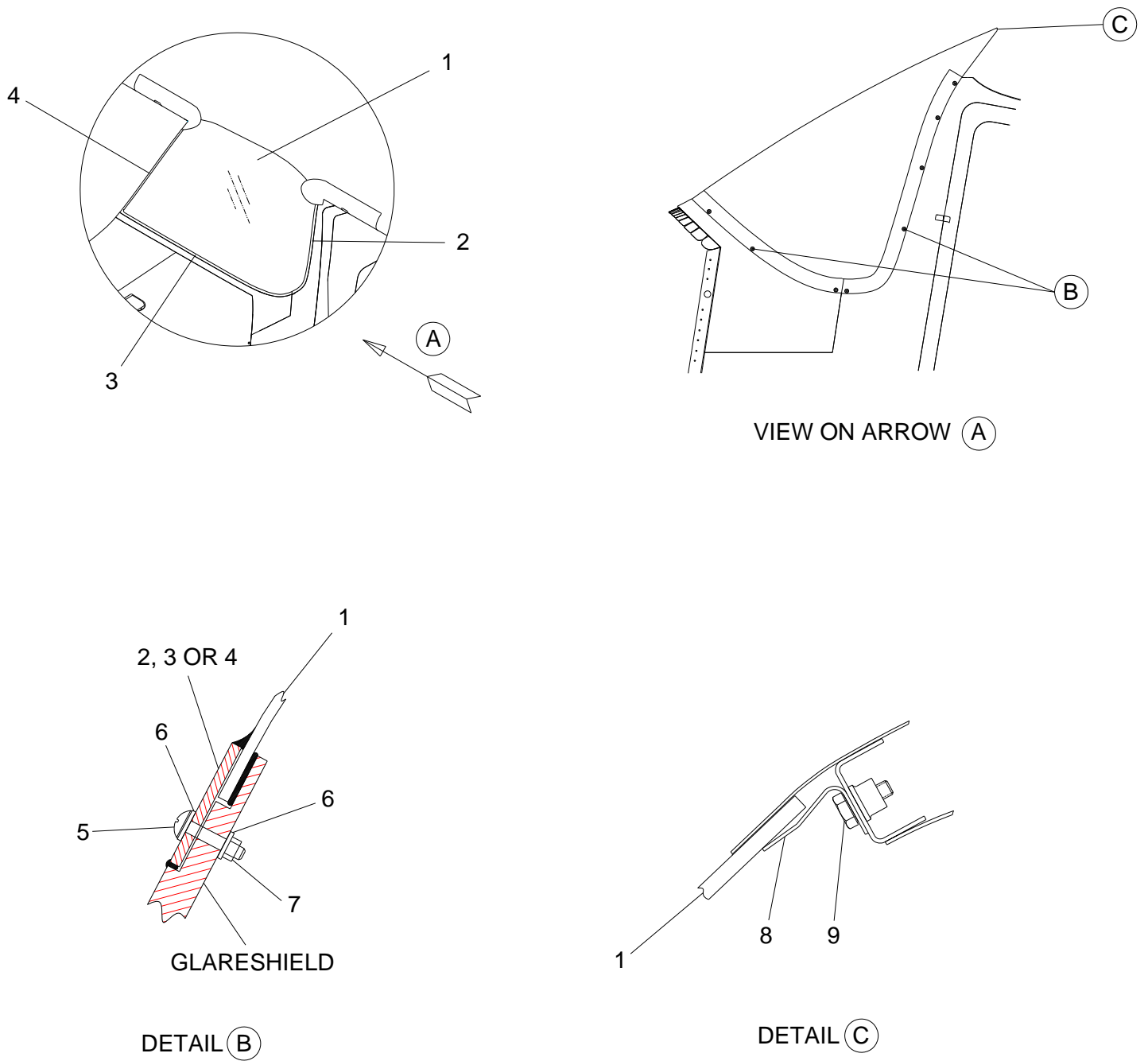


Figure 1  
2C3 & 2C4 Windshield Installation