

CHAPTER 53

FUSELAGE

List of Effective Pages

Chapter / Section	Page No.	Date
53-00	1	
	2	
53-30	1	
	2	
	3	
	4	
53-47	1	
	2	
	3	
	4	
	5	
	6	
	7	
	8	

Chapter / Section	Page No.	Date

Figure And Index Number	GROUP Fuselage		Effect.	Vendor Ident.	Units Per Assy
	MAJOR ASSEMBLY Composite Skins Installation (2C3)				
	PART No.	DESCRIPTION			
1-	No Number	Installation Composite Skins			
-1	F2325	Fwd Side Shell (Port)			1
	F2326	Fwd Side Shell (Stbd)			1
-2	F2327	Aft Side Shell (Port)			1
	F2328	Aft Side Shell (Stbd)			1
-3	F3305	Fwd Belly Pan			1
-4	F2307	Aft Belly Pan			1
-5	AN526C1032	Screw			56
-6	AN960C10L	Washer			32
-7	MS15795-849	Washer			24
-8	AN526C832	Screw			70
-9	AN960C8L	Washer			102
-10	MS21083C08	Nut			32
-11	AN525-10	Screw			9
-12	AN960-10L	Washer			6
-13	MS21042-3	Nut			6
-14	AN970-3	Washer			3

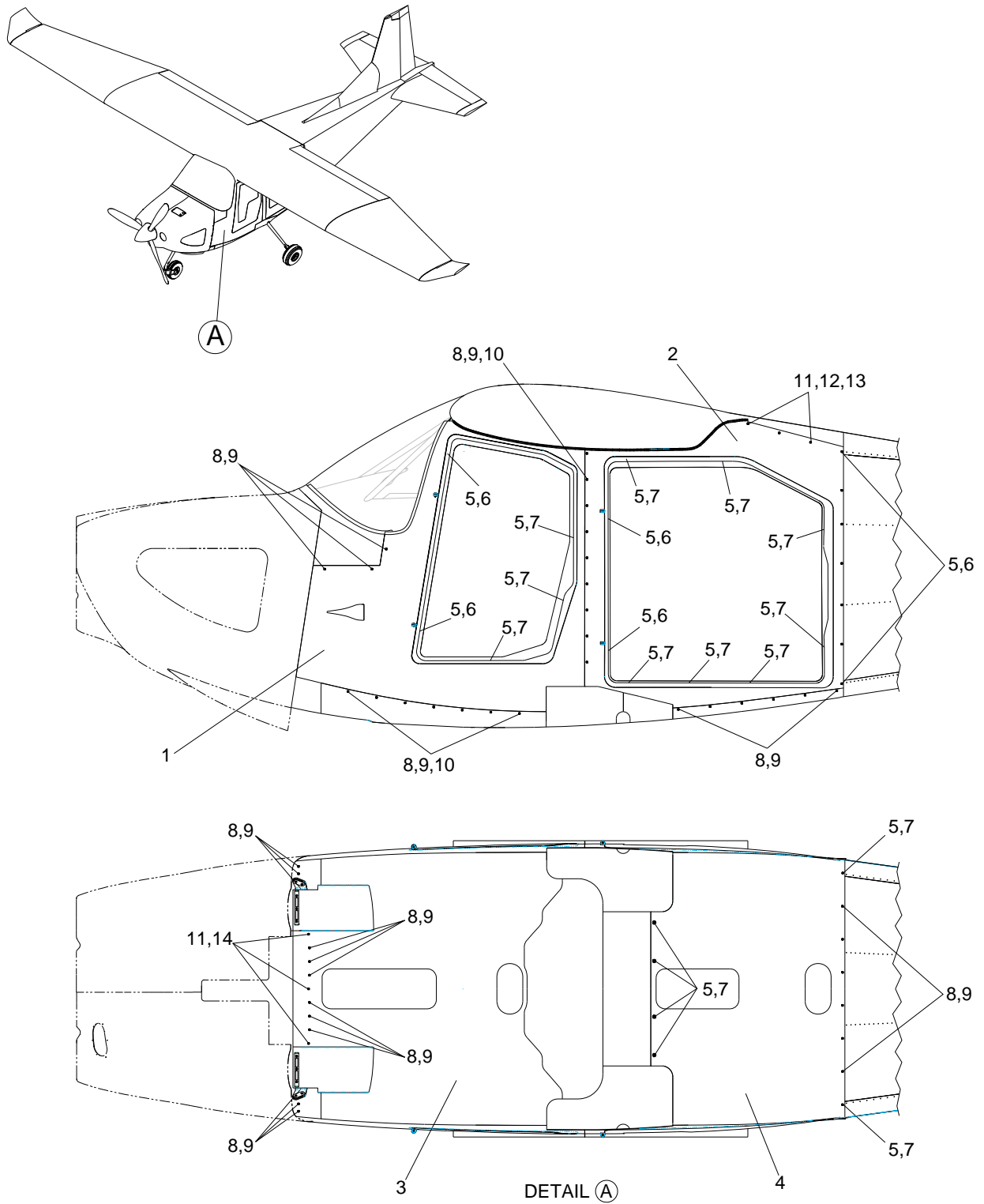


Figure 1
Composite Skins Installation (2C3)

Figure And Index Number	GROUP Fuselage		Effect.	Vendor Ident.	Units Per Assy
	MAJOR ASSEMBLY Composite Skins Installation (2C4)				
	PART No.	DESCRIPTION			
2-	No Number	Installation of Composite Skins			
-1	F2325	Fwd Side Shell (Port)			1
	F2326	Fwd Side Shell (Stbd)			1
-2	F2327	Aft Side Shell (Port)			1
	F2328	Aft Side Shell (Stbd)			1
-3	F4305	Fwd Belly Pan			1
-4	F4307	Main Gear Cover			1
-5	F4309	Mid Belly Pan			1
-6	F2307	Aft Belly Pan			1
-7	AN526C1032	Screw			56
-8	AN960C10L	Washer			32
-9	MS15795-849	Washer			24
-10	AN526C832	Screw			70
-11	AN960C8L	Washer			102
-12	MS21083C08	Nut			32
-13	AN525-10	Screw			9
-14	AN960-10L	Washer			6
-15	MS21042-3	Nut			6
-16	AN970-3	Washer			3

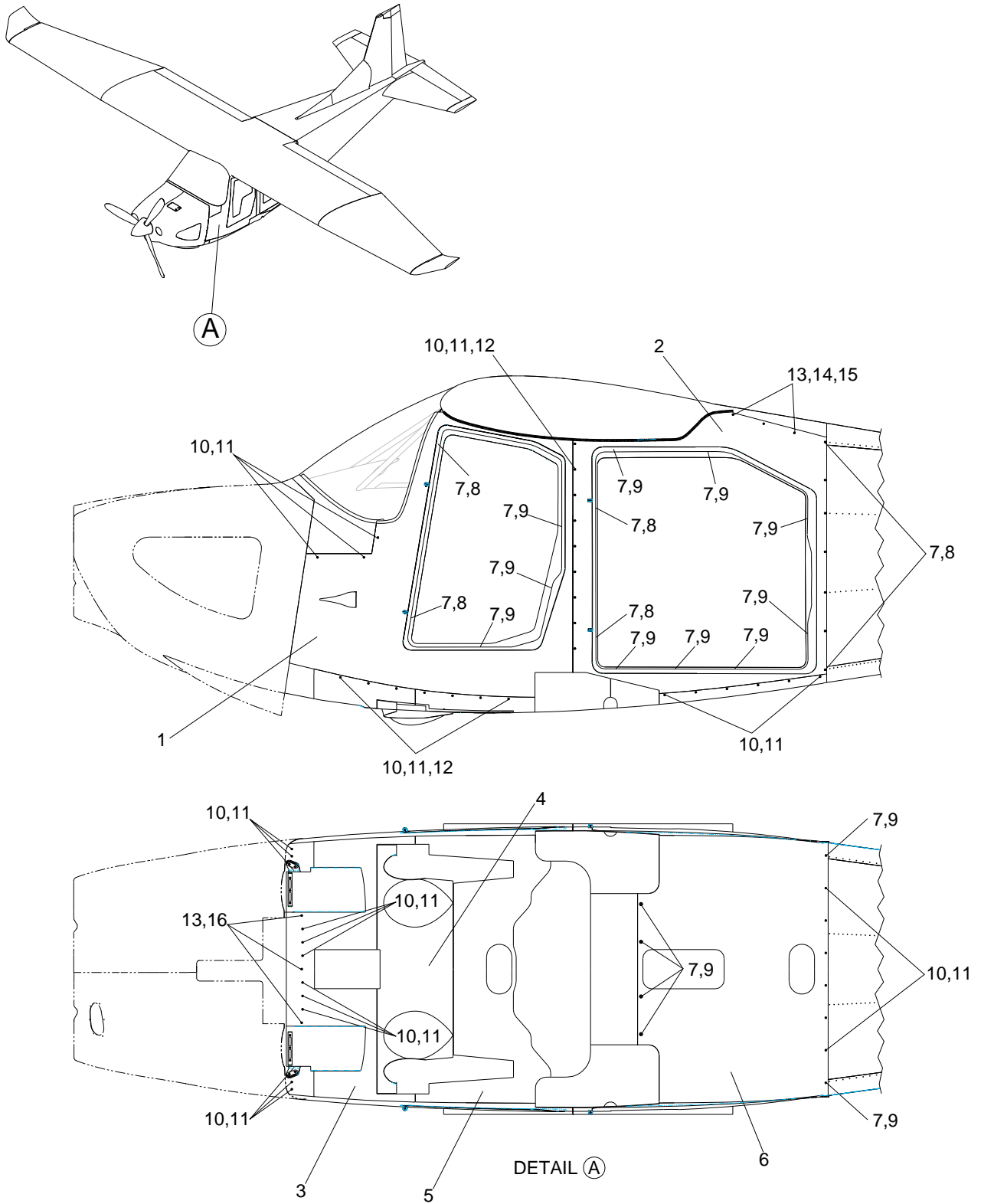


Figure 2
Composite Skins Installation (2C4)

Figure And Index Number	GROUP Fuselage		Effect.	Vendor Ident.	Units Per Assy
	MAJOR ASSEMBLY	Seat Rail Installation (2C1/2C2)			
	PART No.	DESCRIPTION			
1-	No Number	Installation Front Seat Rails			
-1	H13-1	Assembly Seat Rail Inboard			2
-2	H13-2	Assembly Seat Rail Outboard			2
-3	AN4-6A	Bolt Hex Head ¼ Dia.			8
-4	AN960-416	Washer Flat ¼ Dia.			16
-5	MS21042-4	Nut Self Locking ¼ Dia.			8
-6	AN525-10R16	Screw Washer Head 3/16 Dia.			18

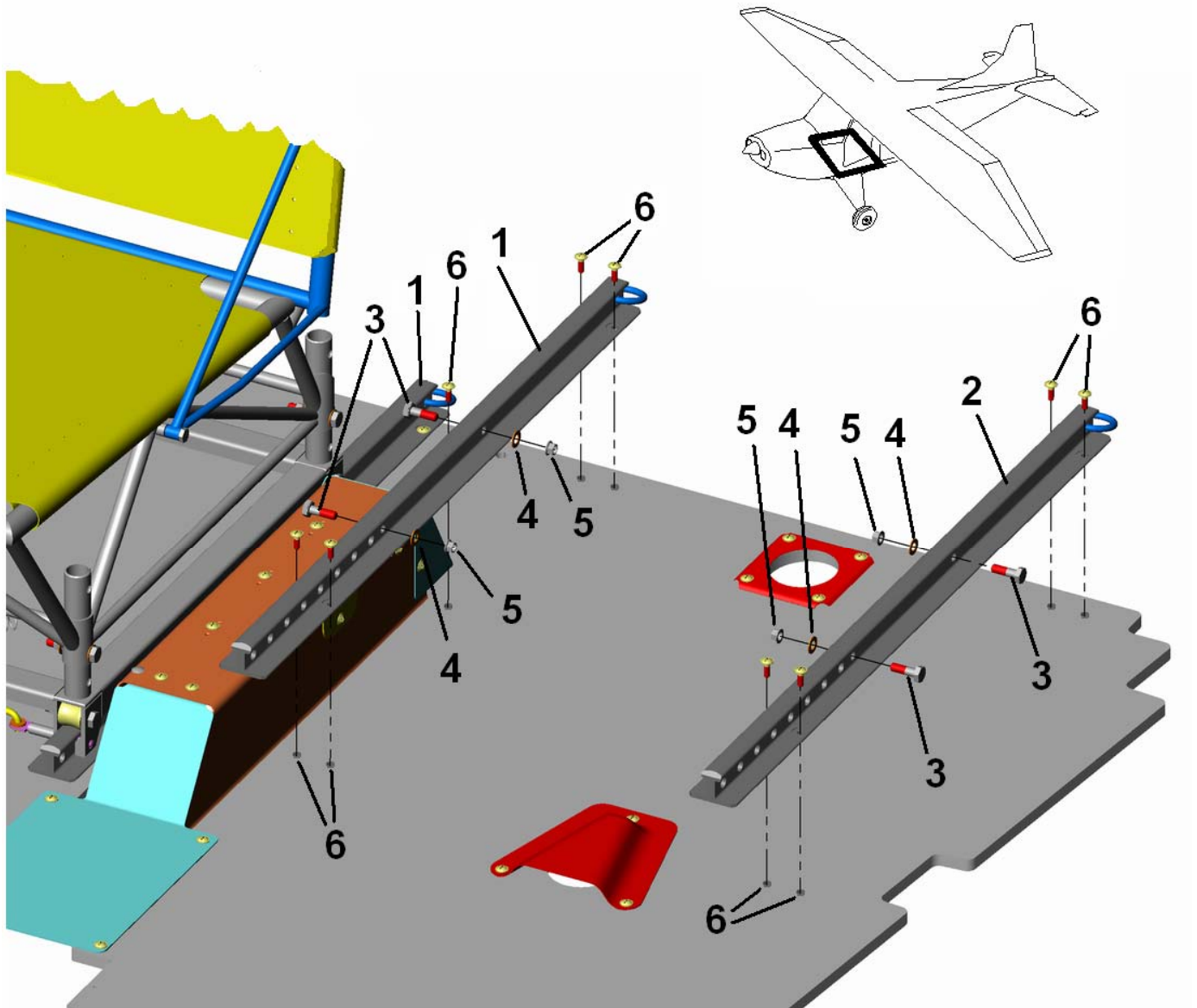


Figure 1
Crew Seat Rail Installation (2C1/2C2)

Figure And Index Number	GROUP Equipment & Furnishings		Effect.	Vendor Ident.	Units Per Assy
	MAJOR ASSEMBLY Seat Rail Installation (2C1/2C2)				
	PART No.	DESCRIPTION			
2-	No Number	Installation Rear Seat Rails			
-1	F471	Seat Rail Aft RH			1
-2	F473	Seat Rail Aft Centre			4
-3	F475	Seat Rail Aft LH			1
-4	MS24694-S52	Screw Machine Csk Head 3/16 Dia.			36
-5	AN960-10L	Washer Flat 3/16 Dia.			36
-6	MS21042-3	Nut Self Locking 3/16 Dia.			36

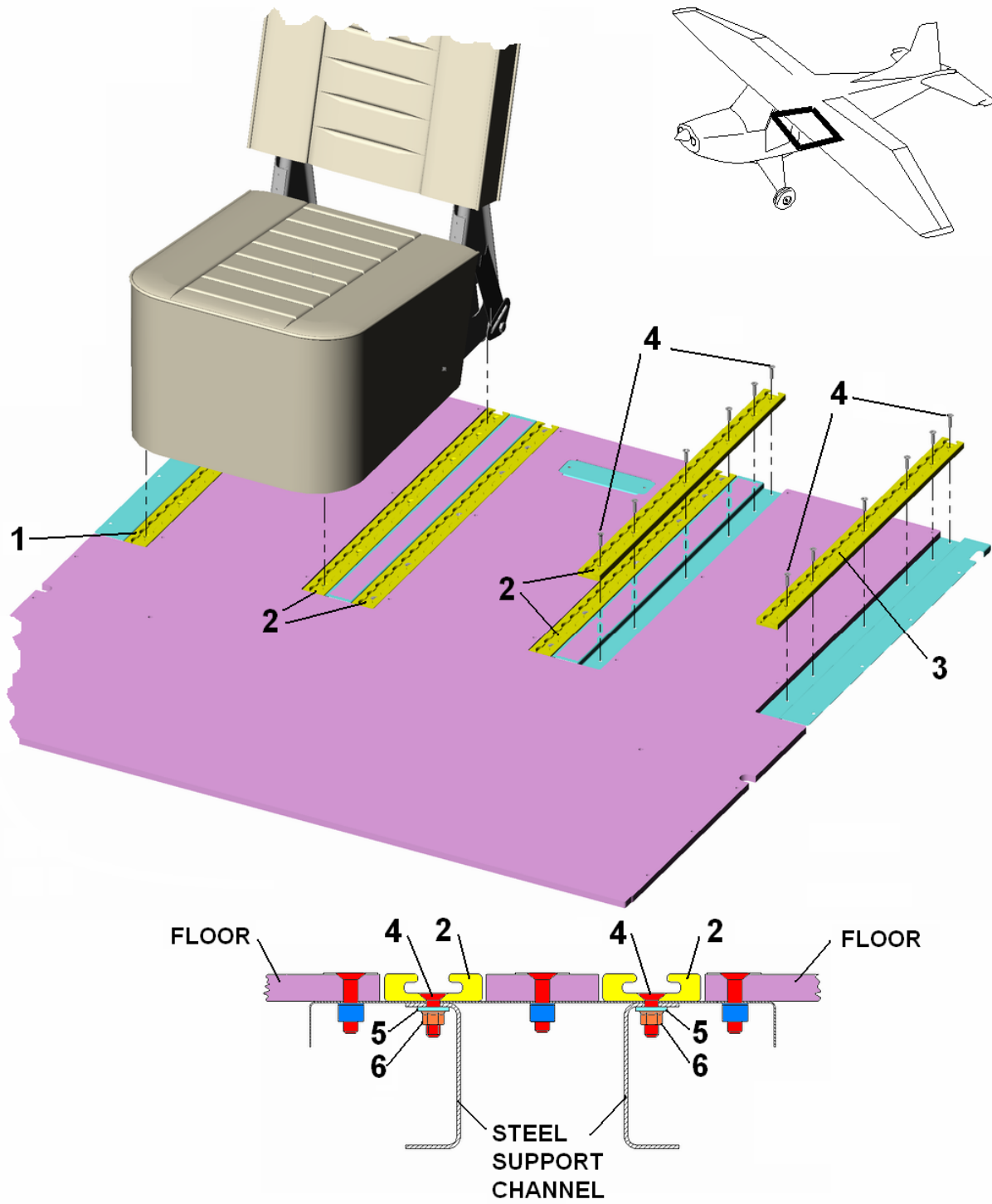


Figure 2
Rear Seat Rail Installation (2C1/2C2)

Figure And Index Number	GROUP Fuselage		Effect.	Vendor Ident.	Units Per Assy
	MAJOR ASSEMBLY Seat Rail Installation (2C3/2C4)				
	PART No.	DESCRIPTION			
3-	No Number	Installation Front Seat Rails			
-1	H2155	Seat Rail (Right, Outboard)			1
-2	H13-1	Seat Rail (Inboard)			2
-3	H13-2	Seat Rail (Left, Outboard)			1
-4	AN525-10R16	Screw			18
-5	AN4-6A	Bolt			8
-6	AN960-416	Washer			16
-7	MS21042-4	Nut			8

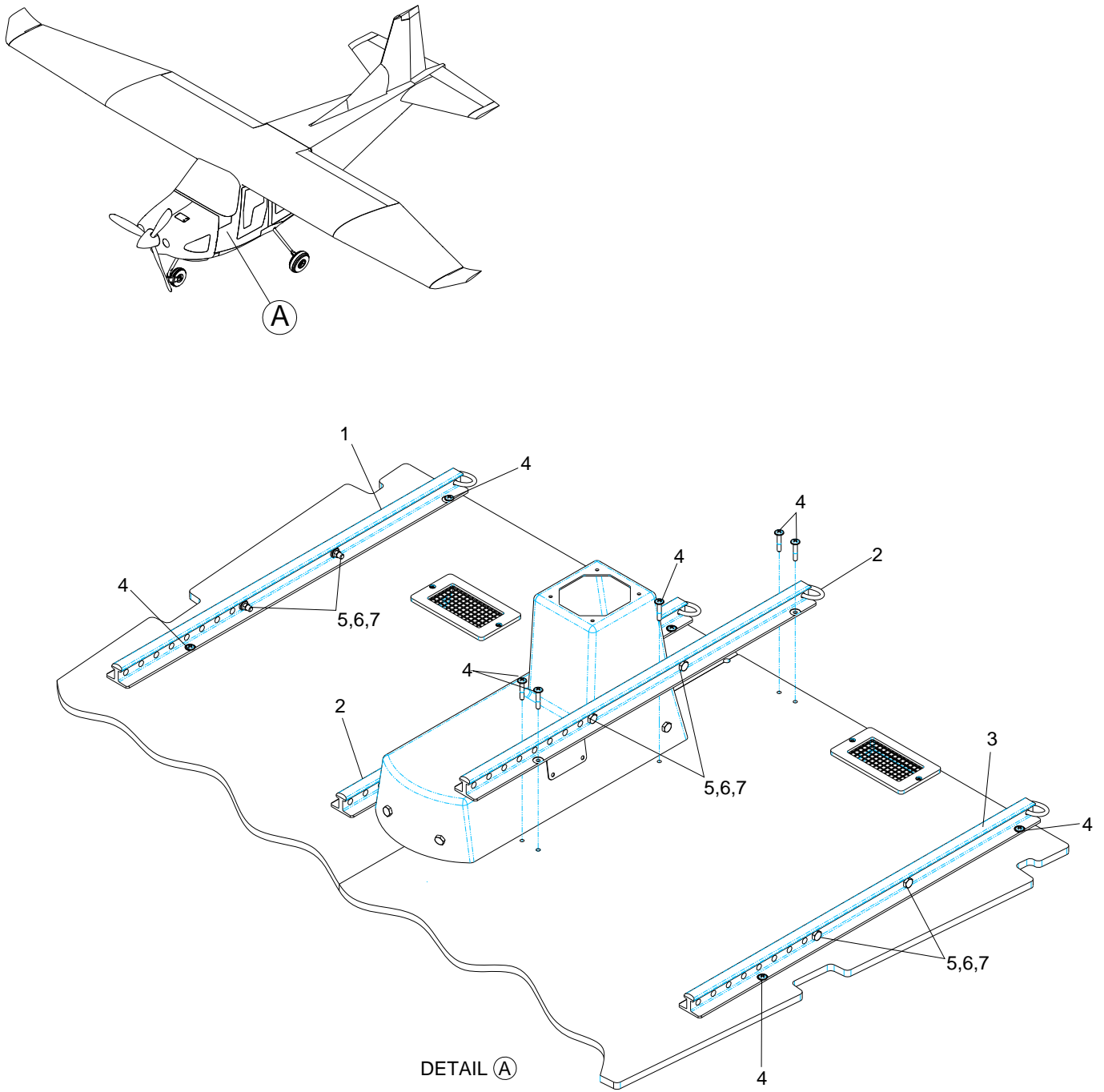


Figure 3
Crew Seat Rail Installation (2C3/2C4)

Figure And Index Number	GROUP Fuselage		Effect.	Vendor Ident.	Units Per Assy
	MAJOR ASSEMBLY Seat Rail Installation (2C3/2C4)				
	PART No.	DESCRIPTION			
4-	No Number	Installation Rear Seat Rails			
-1	F2709	Seat Track (Right, Outboard)	304		1
-2	F2707	Seat Track	304		4
-3	F2705	Seat Tack (Left, Outboard)			1
	F2707	Seat Track	304		1
-4	F2715	Shim (.050" thk)			AR
	F2717	Shim (.080" thk)			AR
	F2719	Shim (.125" thk)			AR
-5	MS24694-S54	Screw			24
-6					
-7					
AR = As Required					

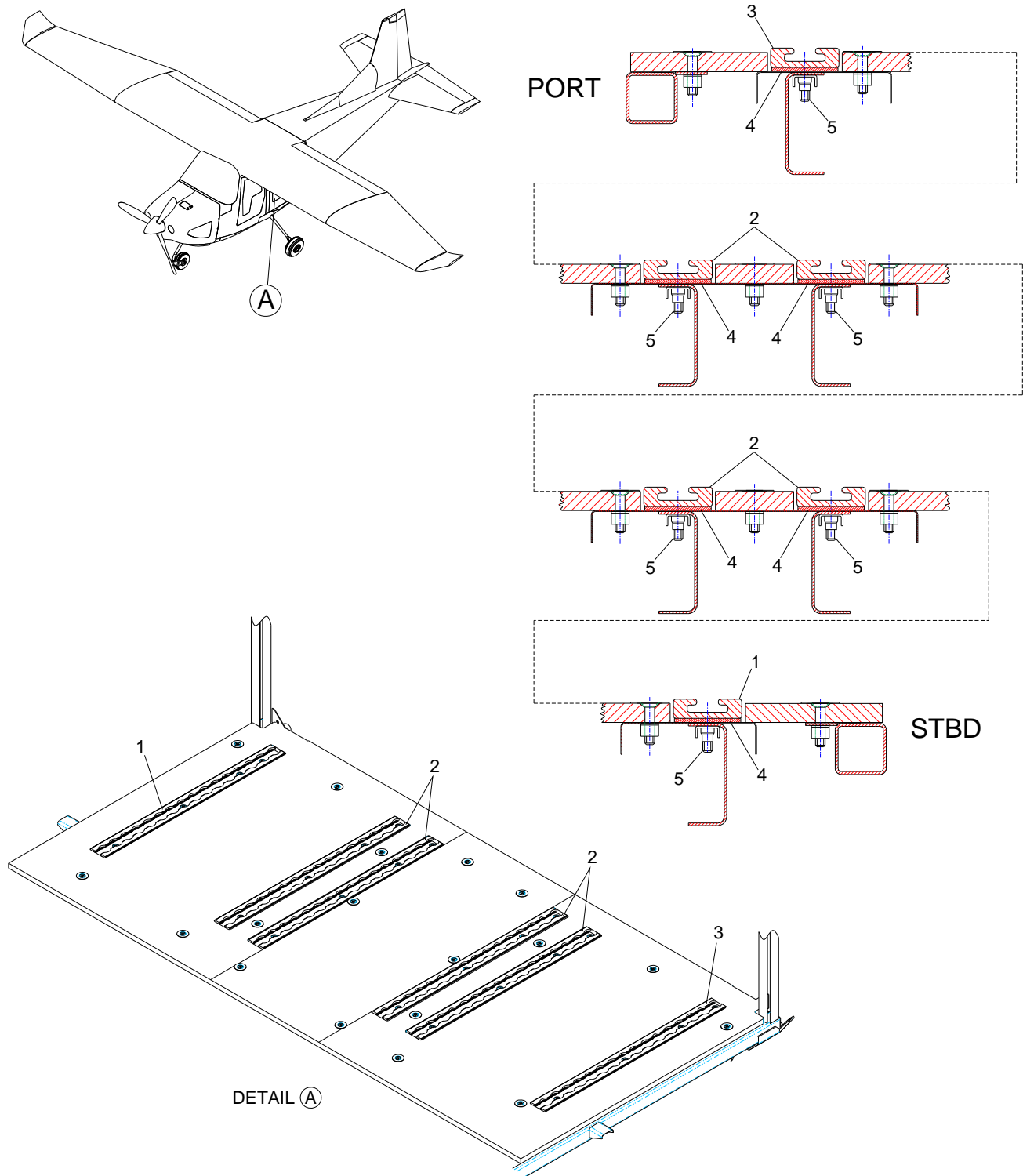


Figure 4
Rear Seat Rail Installation (2C3/2C4)