

# CHAPTER 52

# DOORS

### List of Effective Pages

Chapter / Section	Page No.	Date
52-00	1	Jul 14, 2011
	2	Jul 14, 2011
52-10	1	Jul 14, 2011
	2	Jul 14, 2011
	3	Jul 14, 2011
	4	Jul 14, 2011
	5	Jul 14, 2011
	6	Jul 14, 2011
	7	Jul 14, 2011
	8	Jul 14, 2011
	9	Jul 14, 2011
	10	Jul 14, 2011
	11	Jul 14, 2011
	12	Jul 14, 2011
	13	Jul 14, 2011
	14	Jul 14, 2011
	15	Jul 14, 2011
	16	Jul 14, 2011
52-30	1	Jul 14, 2011
	2	Jul 14, 2011
	3	Jul 14, 2011
	4	Jul 14, 2011
	5	Jul 14, 2011
	6	Jul 14, 2011
	7	Jul 14, 2011
	8	Jul 14, 2011
	9	Jul 14, 2011
	10	Jul 14, 2011
	11	Jul 14, 2011
	12	Jul 14, 2011
	13	Jul 14, 2011
	14	Jul 14, 2011
15	Jul 14, 2011	
16	Jul 14, 2011	
17	Jul 14, 2011	
18	Jul 14, 2011	
19	Jul 14, 2011	
20	Jul 14, 2011	
21	Jul 14, 2011	

Chapter / Section	Page No.	Date
52-30	22	Jul 14, 2011
	23	Jul 14, 2011
	24	Jul 14, 2011
	25	Jul 14, 2011
	26	Jul 14, 2011
	27	Jul 14, 2011
	28	Jul 14, 2011
	29	Jul 14, 2011
	30	Jul 14, 2011

Figure And Index Number	GROUP <b>Doors</b>		Effect.	Vendor Ident.	Units Per Assy
	MAJOR ASSEMBLY	<b>2C1 &amp; 2C2 Composite Forward Door</b>			
	PART No.	DESCRIPTION			
1-	K201	Fwd. Fiberglass Door Installation (LH)	33		1
	K202	Fwd. Fiberglass Door Installation (RH)	33		1
-1	K165	Fwd. Hinge (LH)			1
	K166	Fwd. Hinge (RH)			1
-2	K166	Fwd. Hinge (LH)			1
	K165	Fwd. Hinge (RH)			1
-3	K363	Fwd. Lower Hinge (LH)			1
	K364	Fwd. Lower Hinge (RH)			1
-4	K364	Fwd. Lower Hinge (LH)			1
	K363	Fwd. Lower Hinge (RH)			1
-5	K373	Aft. Lower Hinge (LH)			1
	K374	Aft. Lower Hinge (RH)			1
-6	K374	Aft. Lower Hinge (LH)			1
	K373	Aft. Lower Hinge (RH)			1
-7	K369	Aft. Upper Top Hinge (LH)			1
	K370	Aft. Upper Top Hinge (RH)			1
-8	K371	Aft. Upper Bottom Hinge (LH)			1
	K372	Aft. Upper Bottom Hinge (RH)			1
-9	X85	Fwd. Exterior Door Placard (LH)			1
	X86	Fwd. Exterior Door Placard (RH)			1
-10	K385	Outside Door Knob			1
-11	K387	Inside Door Knob			1
-12	K397	Fwd. Door Arm Rest			1
-13	K395	Fwd. Door Stiffener			1
-14	K567	Washer			1
-15	HCC-1206-31	Interior Placard (LH)		HCC	1
	HCC-1206-32	Interior Placard (RH)		HCC	1
-16	HCC-1206-1	Fiberglass Door Frame (LH)		HCC	1
	HCC-1206-2	Fiberglass Door Frame (RH)		HCC	1
-17	HK358-1155	Set Screw		SPN	2
-18	MS24693-S274	Csk Screw			2
-19	AN960-10L	Washer			2
-20	MS21042-3	Nut, Self Locking			10
-21	C968	Internally Threaded Stud		SPN	1
-22	MS35206-230	Screw			1
-23	MS35333-37	Spring Washer			1
-24	825-057	Door Seal, 10ft		SPN	1
-25	MS27039C1-09	Machine Screw, Stainless Steel			8
-26	234-006	Pin, Straight, Stainless Steel		SPN	2
-27	NAS1149C0432R	Washer			4
-28	MS24665-151	Cotter Pin			2
-29	MS27039C1-10	Machine Screw, Stainless Steel			8
-30	AN960-10	Washer			8
-31	HCC-1206-1-001	Window (LH)		HCC	1
	HCC-1206-2-001	Window (RH)		HCC	1

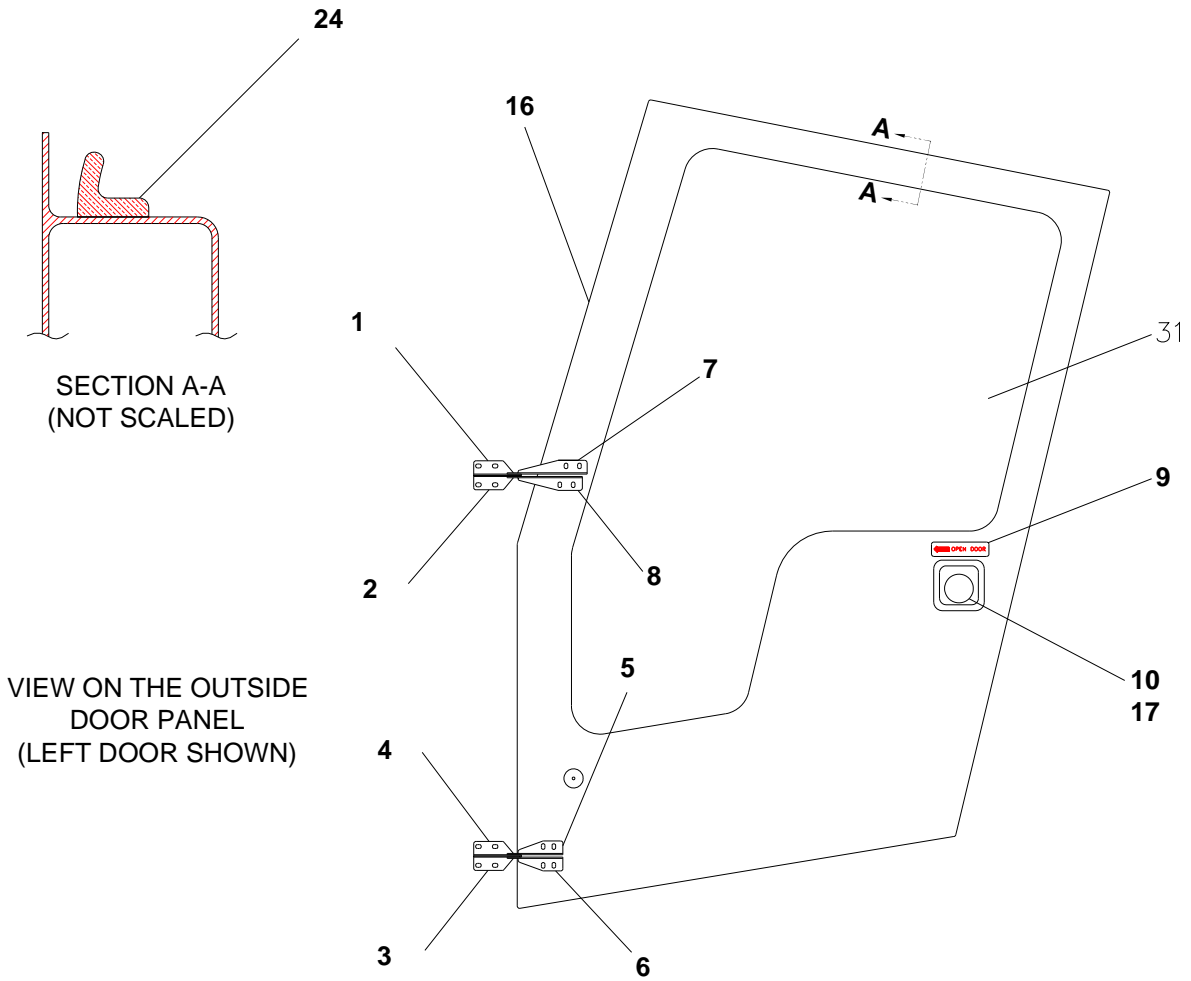


Figure 1 (Sheet 1)  
Forward Fiberglass Door Installation

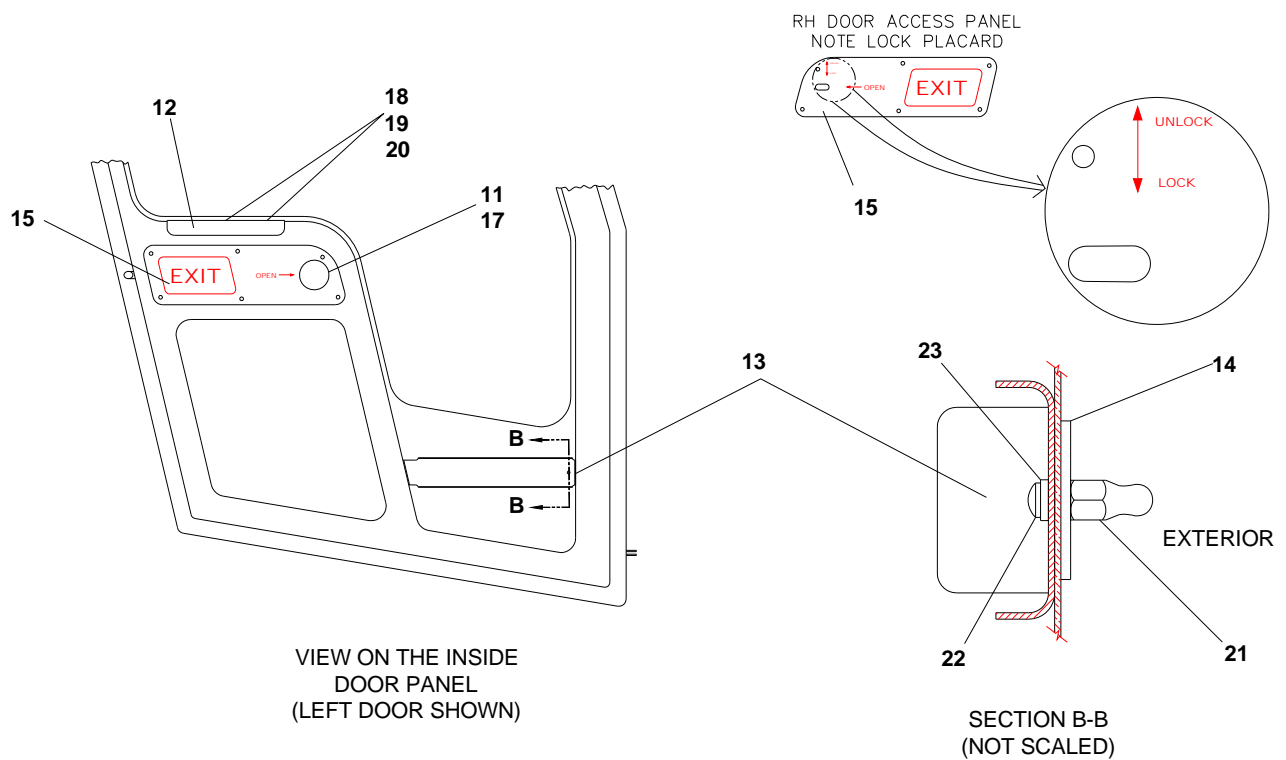
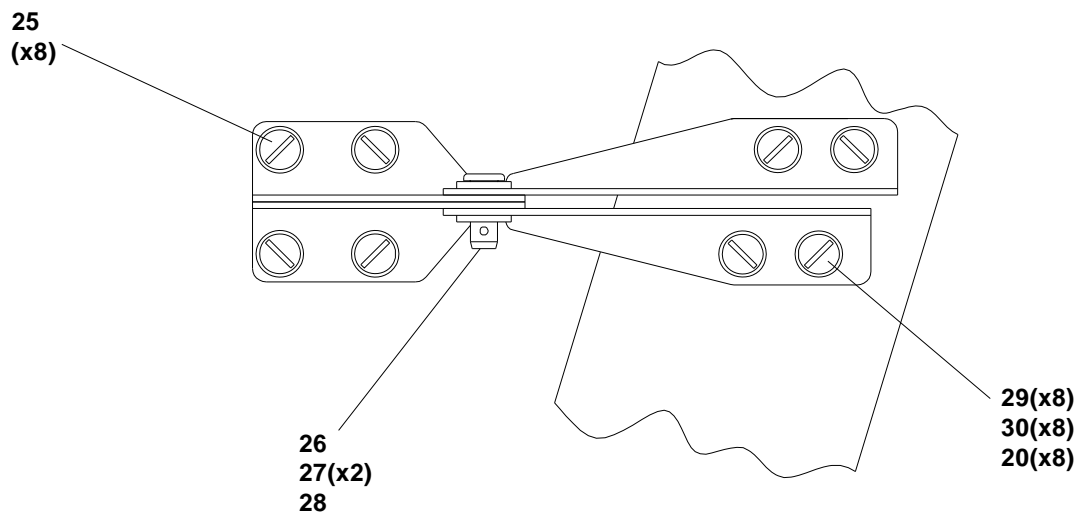


Figure 1 (Sheet 2)  
Forward Fiberglass Door Installation



DETAIL OF THE HINGE  
HARDWARE, TYP.

Figure 1 (Sheet 3)  
Forward Fiberglass Door Installation

Figure And Index Number	GROUP <b>Doors</b>		Effect.	Vendor Ident.	Units Per Assy
	MAJOR ASSEMBLY <b>2C1 &amp; 2C2 Composite Forward Door</b>				
	PART No.	DESCRIPTION			
2-	No Number	Forward Door Latch Assembly	33	HCC	
-1	HCC-1206-23	Latch Guide for Left		HCC	1
-2	HCC-1206-33	Latch Handle Pin for Left		HCC	1
-3	HCC-1206-18	Upper Latch Half for Left		HCC	1
-4	HCC-1206-20	Lower Latch Half for Left		HCC	1
-5	HCC-1206-27	Door Bolt		HCC	1
-6	HCC-1206-22	Lower Latch Half for Right		HCC	1
-7	HCC-1206-21	Upper Latch Half for Right		HCC	1
-8	HCC-1206-24	Latch Guide for Right		HCC	1
-9	HCC-1206-34	Latch Handle Pin for Right		HCC	1
-10	No Number	Washer			1
-11	No Number	Spring			1
-12	No Number	Roll Pin			4

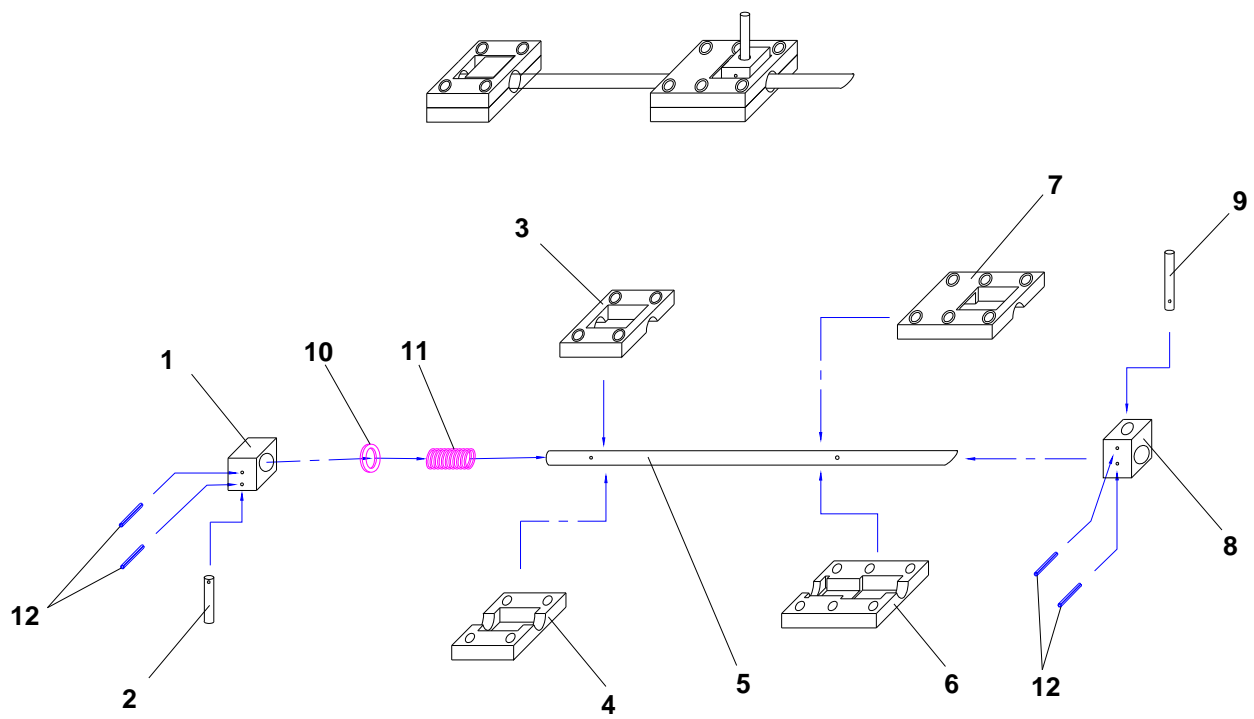


Figure 2  
Front Door Latch Mechanism



Figure And Index Number	GROUP		Effect.	Vendor Ident.	Units Per Assy
	Doors				
	MAJOR ASSEMBLY	2C3 & 2C4 Fwd Door Assembly			
PART No.	DESCRIPTION				
1-					
-1	N2025	Port Fwd Door Assembly			1
	N2026	Stbd Fwd Door Assembly			1
-2	K2303	Port Composite Door Shell			1
	K2304	Stbd Composite Door Shell			1
-3	K2001	Port Front Door Window			1
	K2002	Stbd. Front Door Window			1
-4	AN525C832R8	Screw			11
-5	NW8	Nylon Washer		LEA	11
-6	MS21059L08	Nut plate			11

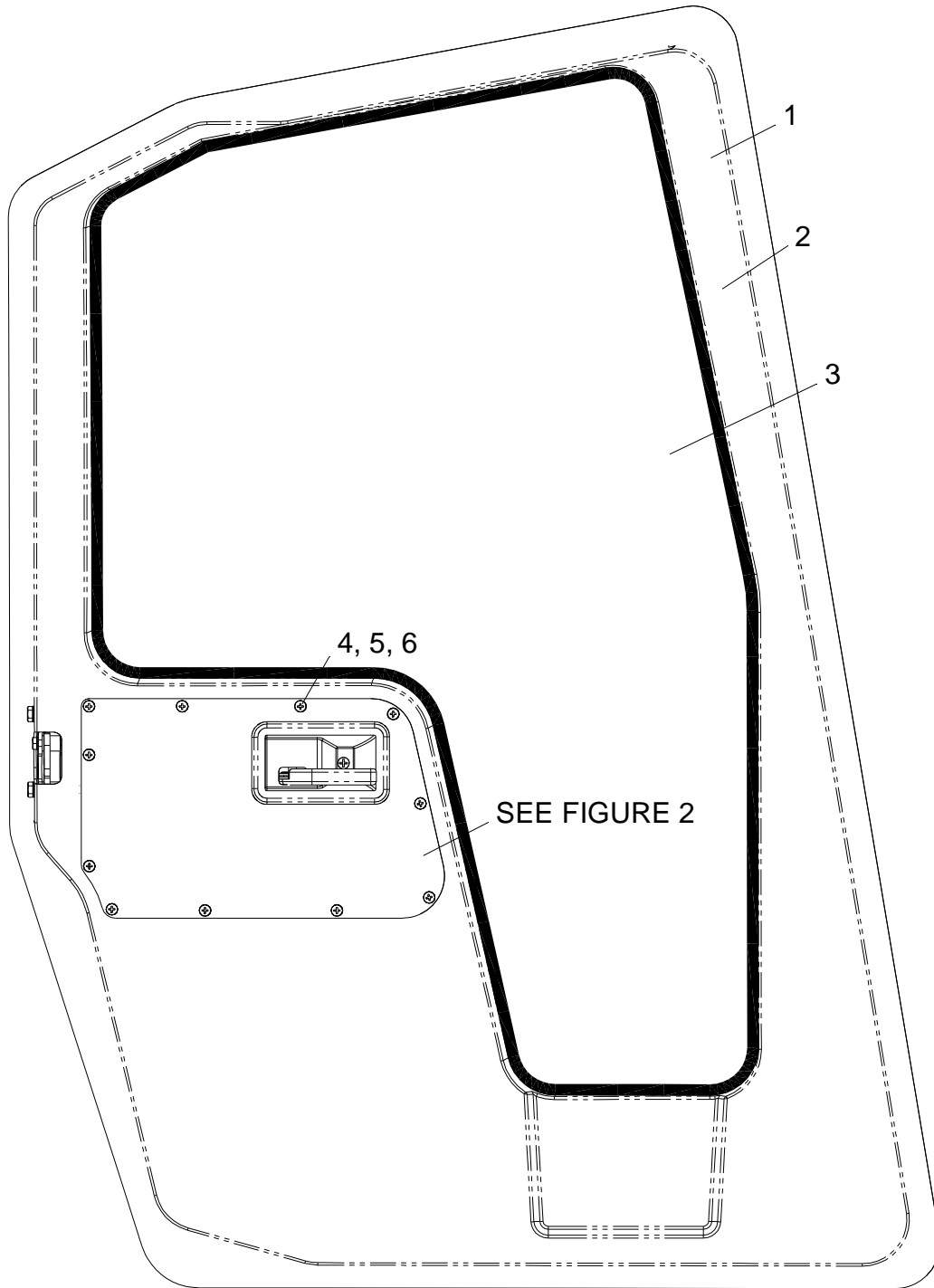


Figure 1  
Complete Fwd Door Assembly

Figure And Index Number	GROUP <b>Doors</b>		Effect.	Vendor Ident.	Units Per Assy
	MAJOR ASSEMBLY	<b>2C3 &amp; 2C4 Fwd Door Assembly</b>			
	PART No.	DESCRIPTION			
2-					
-1	K2263	Fwd Door Access Panel			1
-2	K2309	Interior Handle Cable Standoff			1
-3	K2325	Cable Assembly, Handle			1
-4	K2247	Handle Mount Bracket			1
-5	MS21059L3	Nut plate			1
-6	AN525-10R9	Screw			1
-7	55176477AB	Port Interior Handle Assembly		JEE	1
	55176476AB	Stbd. Interior Handle Assembly		JEE	1
-8	AN3-5A	#10 Bolt			1
-9	W-5003	Nylon Washer		SPA	1
-10	MS21042-3	Nut			1

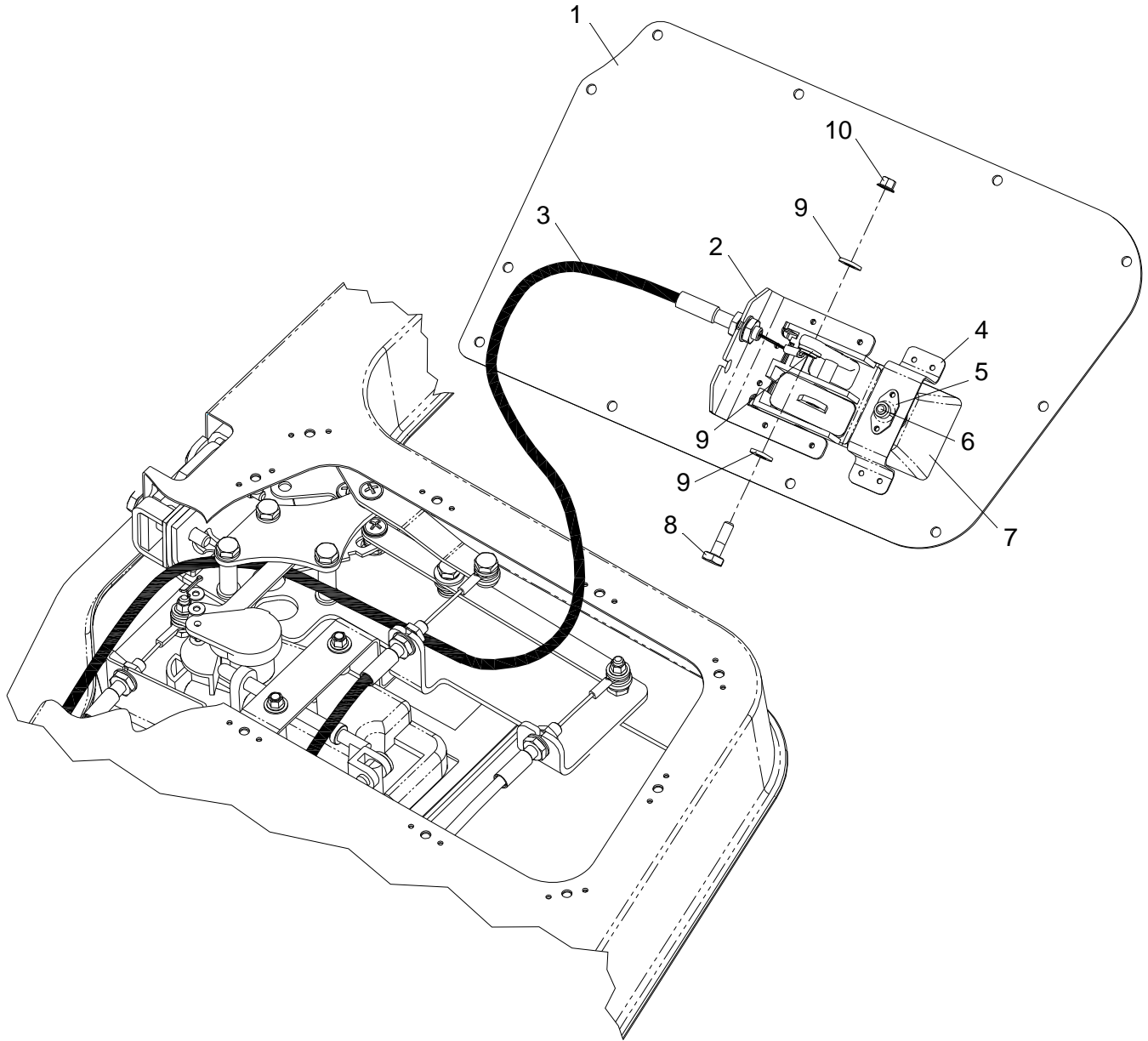


Figure 2  
Interior Handle Cable Connection

Figure And Index Number	GROUP		Doors		Effect.	Vendor Ident.	Units Per Assy
	MAJOR ASSEMBLY		<b>2C3 &amp; 2C4 Fwd Door Assembly</b>				
	PART No.	DESCRIPTION					
3-							
-1	K2317	Port Fwd Door Lock Strap				1	
	K2318	Stbd. Fwd Door Lock Strap				1	
-2	AN960-4	Washer				3	
-3	MS20392-1C11	Clevis Pin				1	
-4	RTC 6686	Port Exterior Handle (Lock Bellcrank)			LAN	1	
	RTC 6685	Stbd Exterior Handle (Lock Bellcrank)			LAN	1	
-5	MS24665-151	Cotter Pin				1	
-6	8HB14112P	Ø1/4 Hex. Bolt				2	
-7	AN960-416L	Washer				2	

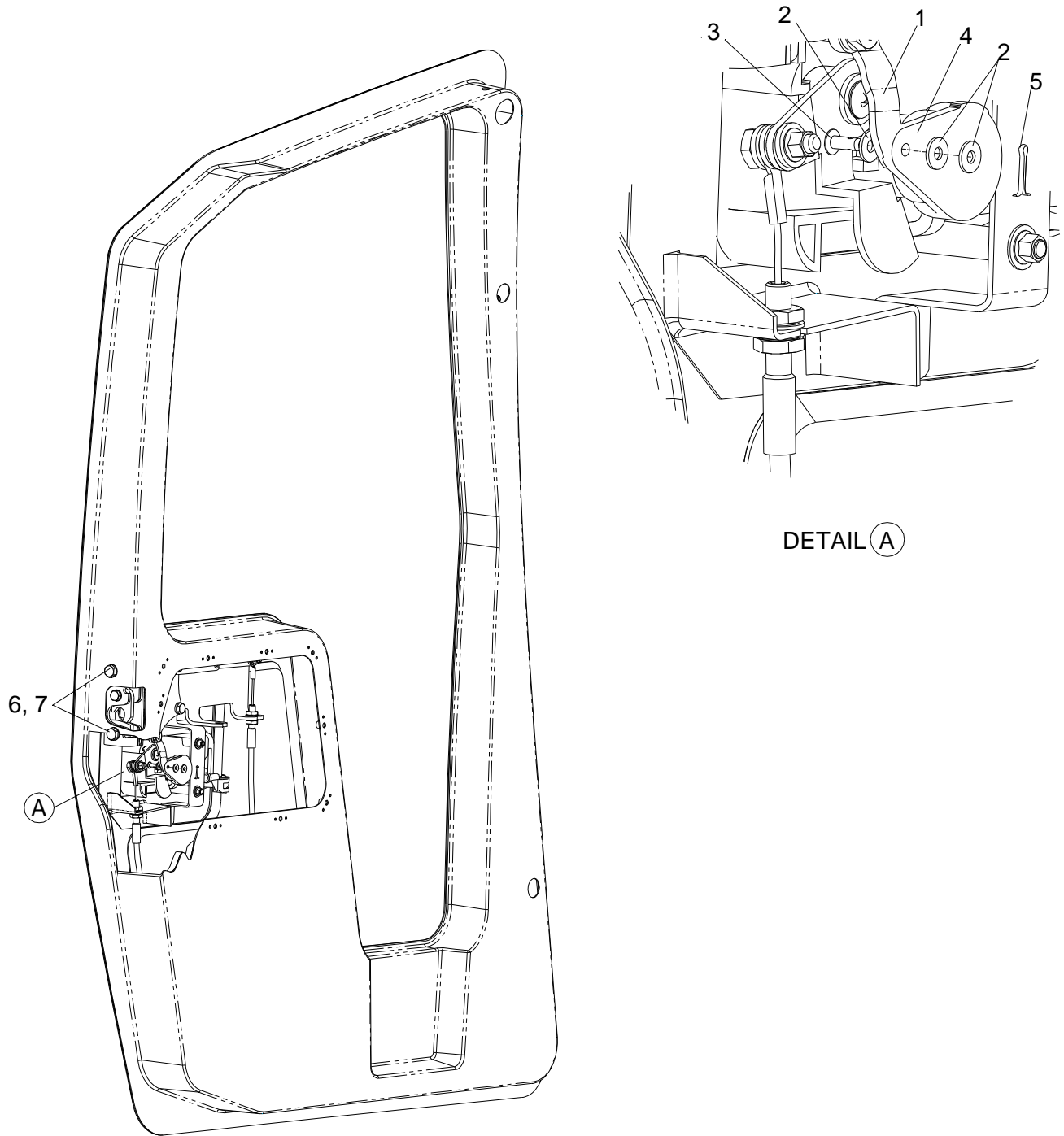


Figure 3  
Lock Strap Connection

Figure And Index Number	GROUP <b>Doors</b>		Effect.	Vendor Ident.	Units Per Assy
	MAJOR ASSEMBLY	<b>2C3 &amp; 2C4 Fwd Door Assembly</b>			
	PART No.	DESCRIPTION			
4-					
-1	K2325	Cable Assembly			1
-2	K2267	Outside Handle Retainer Bracket			1
-3	AN960-10L	Washer			2
-4	MS21042-3	Nut			3
-5	AN3-5A	#10 Bolt			1
-6	W-5003	Nylon Washer		SPA	3
-7	MCI-03-01	Clip Bushing		IGU	1
-8	RTC 6686	Port Exterior Handle Assembly		LAN	1
	RTC 6685	Stbd. Exterior Handle Assembly		LAN	1
-9	AN960-10	Washer			2

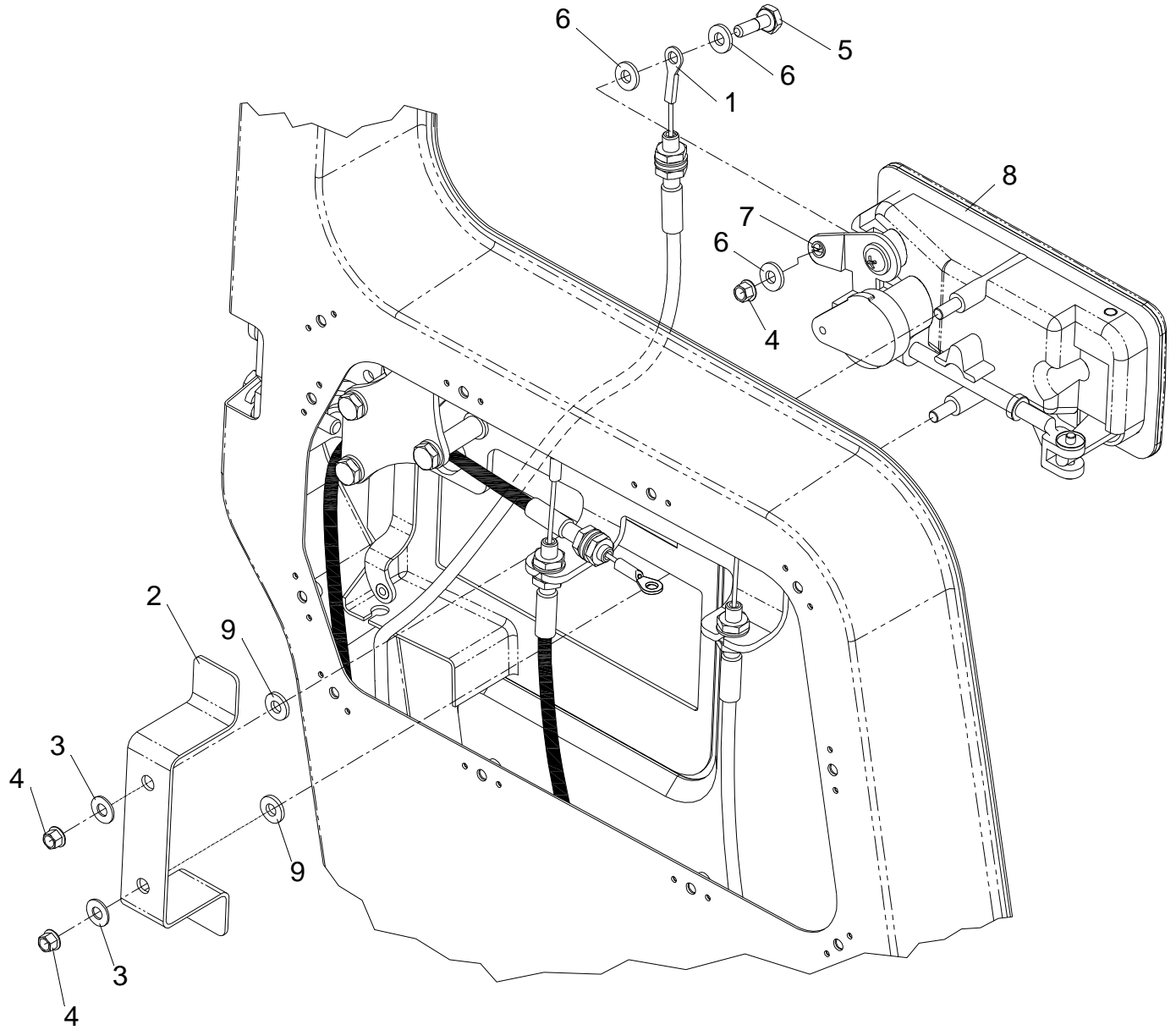


Figure 4  
Exterior Handle Mounting & Cable Connection



Figure And Index Number	GROUP		Doors		Effect.	Vendor Ident.	Units Per Assy
	MAJOR ASSEMBLY		2C3 & 2C4 Fwd Door Assembly				
	PART No.	DESCRIPTION					
5-							
-1	K2315	Port Latch Spacer					1
	K2316	Stbd. Latch Spacer					1
-2	K2317	Port Fwd Door Lock Strap					1
	K2318	Stbd. Fwd Door Lock Strap					1
-3	K2333	Exterior Handle Bellcrank					1
-4	K2325	Cable Assembly					1
-5	11342-16	Port Latch Mechanism				TRI	1
	11344-16	Stbd. Latch Mechanism				TRI	1
-6	AN3-14A	#10 Bolt					1
-7	AN960-10L	Washer					4
-8	AN960-10	Washer					4
-9	MS21042-3	Nut					5
-10	90295A120	Nylon Washer				MCM	4
-11	MSI-0204-02	Bushing				IGU	1
-12	MCI-03-01	Clip Bushing				IGU	3
-13	AN525-10R8	Screw					1
-14	AN525-10R12	Screw					1
-15	TFI-0304-04	Flange Bushing				IGU	1
-16	654-104	Teflon Washer				SPA	2
-17	MS21083N3	Nut					1
-18	MS35207-267	Screw					1
-19	W-5003	Nylon Washer				SPA	3
-20	AN3-5A	#10 Bolt					1

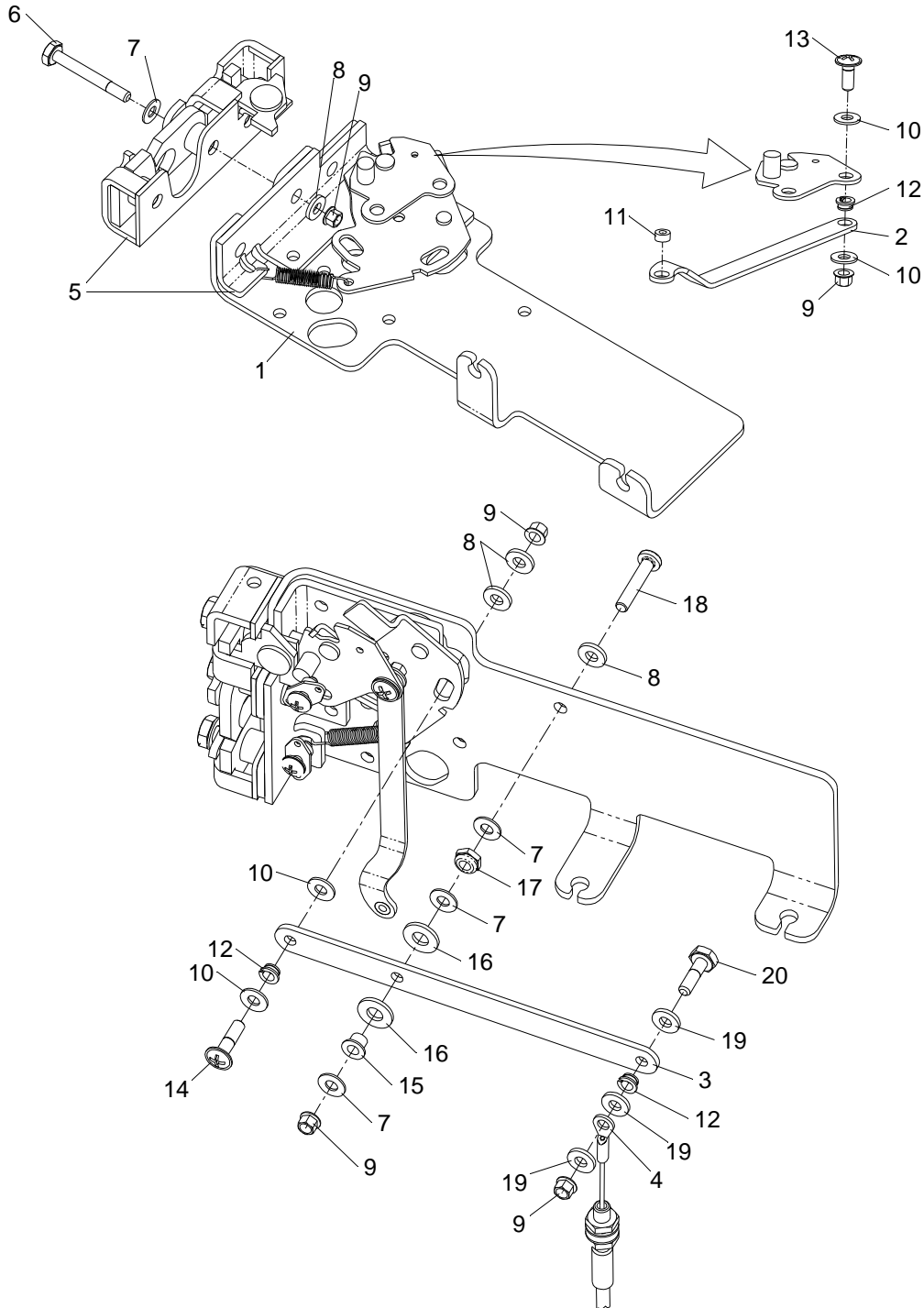


Figure 5  
Latch Build

Figure And Index Number	GROUP <b>Doors</b>		Effect.	Vendor Ident.	Units Per Assy
	MAJOR ASSEMBLY <b>2C1 &amp; 2C2 Composite Aft Door</b>				
	PART No.	DESCRIPTION			
1-	K301	Fiberglass Cargo Door Assy. (LH)			1
	K302	Fiberglass Cargo Door Assy. (RH) View on the outside Door Panel			1
-1	K313	Aft Hinge			3
-2	K314	Aft Hinge			3
-3	K365	Fwd Hinge			6
-4	X83	Door Placard (Exterior) (LH)			1
	X84	Door Placard (Exterior) (RH)			1
-5	AN960-10L	Washer			3
-6	MS21042-3	Nut, Self Locking			3
-7	AN525-10R8	Washer Head Screw			3
-8	245-162	Plastic Cap		SPN	1
-9	825-057	Weather Strip (13 feet)		SPN	1

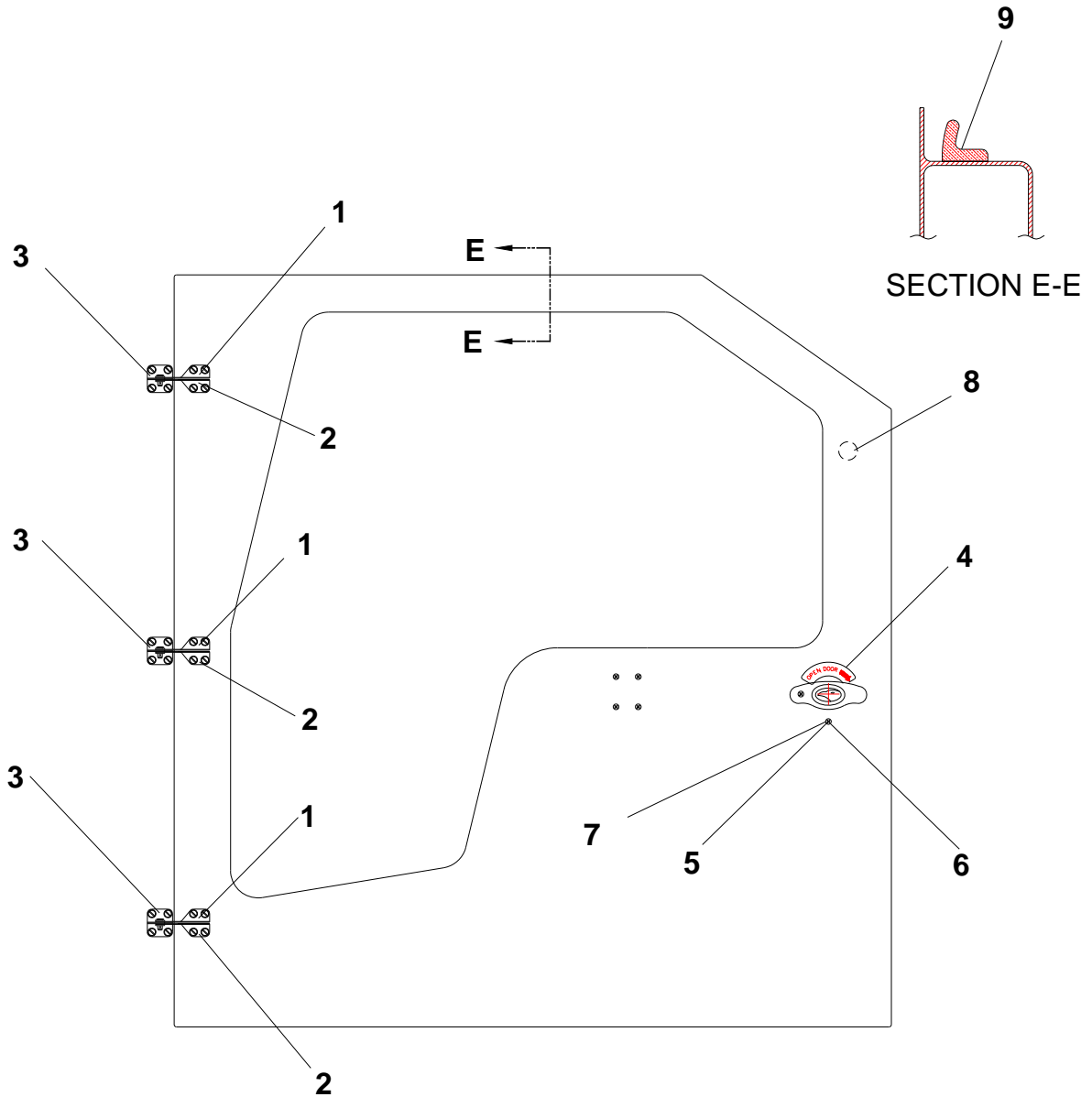
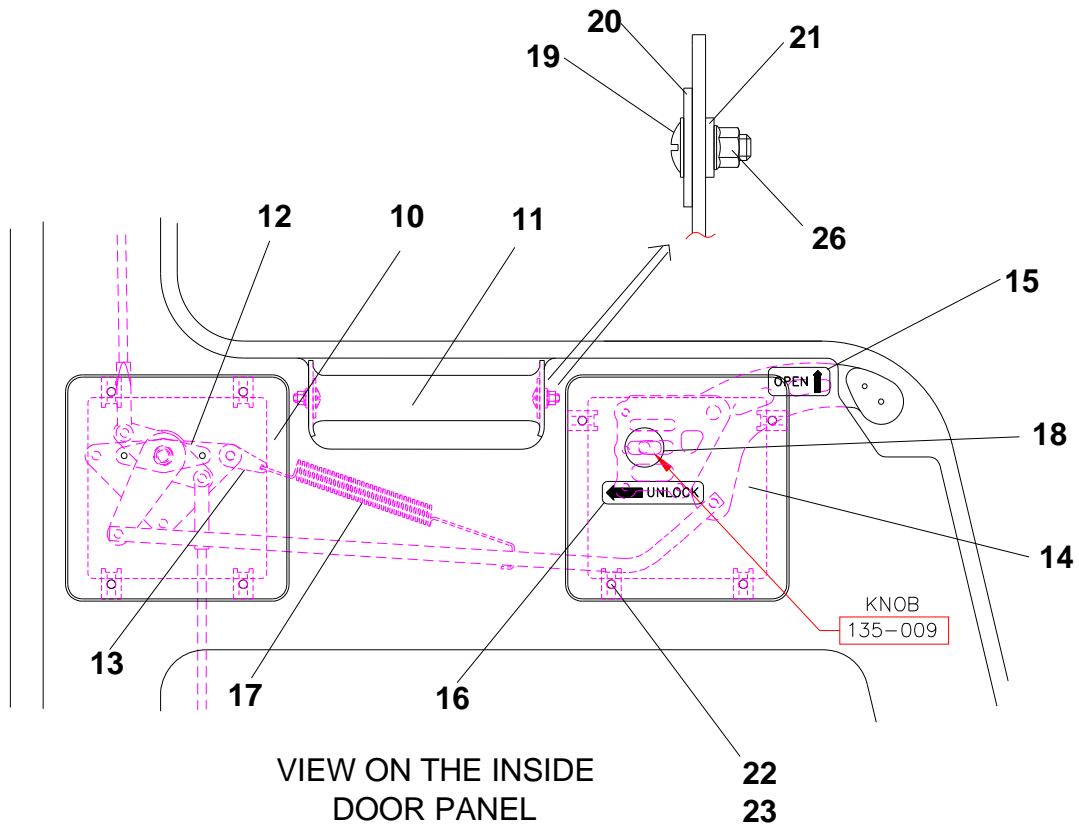


Figure 1 (Sheet 1)  
Fiberglass Cargo Door Assembly (View on Inside Door Panel)

Figure And Index Number	GROUP <b>Doors</b>		Effect.	Vendor Ident.	Units Per Assy
	MAJOR ASSEMBLY <b>2C1 &amp; 2C2 Composite Aft Door</b>				
	PART No.	DESCRIPTION			
1-	K301 K302	Fiberglass Cargo Door Assy. (LH) Fiberglass Cargo Door Assy. (RH) View on Inside Door Panel			
-10	K535	Aft. Access Door			1
-11	K559	Fabric Handle			1
-12	K367	Bushing			1
-13	K561	Link			1
-14	K527	Fwd. Access Door			1
-15	X87	Door Open Placard (LH)			1
	X88	Door Open Placard (RH)			1
-16	X89	Door Lock Placard (LH)			1
	X90	Door Lock Placard (RH)			1
-17	B-676	Spring		SPN	1
-18	135-009	Mushroom Knob		SPN	1
-19	AN525-10R8	Washer Head Screw			2
-20	AN970-3	Washer			2
-21	AN960-10L	Washer			2
-22	A1786-8Z1	Tinnerman Nut			8
-23	8RX3/8THASS	Screw, Sheet Metal			8
	No Number	Typical Pushrod Assembly			
-24	K543	Tube			1
-25	K339	Pushrod			1
-26	MS21042-3	Nut, Self Locking			4
-27	695-001	Pushrod Yoke		SPN	2

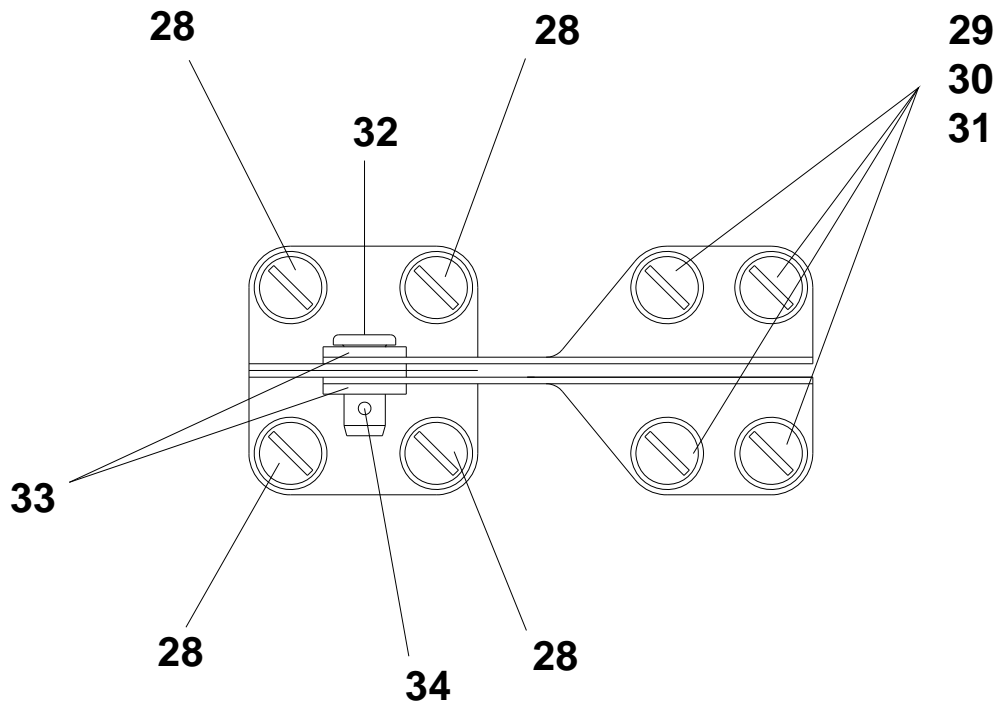


VIEW ON THE INSIDE  
DOOR PANEL

TYP. PUSHROD ASSEMBLY

Figure 1 (Sheet 2)  
Fiberglass Cargo Door Assembly

Figure And Index Number	GROUP <b>Doors</b>		Effect.	Vendor Ident.	Units Per Assy
	MAJOR ASSEMBLY <b>2C1 &amp; 2C2 Composite Aft Door</b>				
	PART No.	DESCRIPTION			
1-	K301	Fiberglass Cargo Door Assy. (LH)			
	K302	Fiberglass Cargo Door Assy. (RH)			
		Detail of Hinge Assembly			
-28	MS27039C1-09	Washer Head Screw			12
-29	MS27039C1-10	Washer Head Screw			12
-30	AN960-10L	Washer			12
-31	MS21042-3	Nut, Self Locking			12
-32	234-006	Pin, Straight, Stainless Steel		SPN	3
-33	NAS1149C0432R	Washer			6
-34	MS24665-151	Cotter Pin			3



**TYP. of 3 HINGE ASSEMBLY**

Figure 1 (Sheet 3)  
Fiberglass Cargo Door Assembly



Figure And Index Number	GROUP <b>Doors</b>		Effect.	Vendor Ident.	Units Per Assy	
	MAJOR ASSEMBLY <b>2C1 &amp; 2C2 Composite Aft Door</b>					
	PART No.	DESCRIPTION				
2-	K301	Fiberglass Cargo Door Assy. (LH)	33			
	K302	Fiberglass Cargo Door Assy. (RH) (View on Inside)	33			
	No Number	Exterior Door Handle Assembly (Detail A - See Figure 3)			1	
	No Number	Upper Latch Assembly (Detail B - See Figure 4)			1	
	No Number	Lower Latch Assembly (Detail C - See Figure 5)			1	
	No Number	Interior Lock Handle Assembly (Detail D - See Figure 6)			1	
	-1	K393	Strap Assembly			1
	-2	K391	Tab			1
	-3	No Number	Nylon Fiber Webbing			1
	-4	HCC-1306-1	Fiberglass Cargo Door Frame (LH)		HCC	1
		HCC-1306-2	Fiberglass Cargo Door Frame (RH)		HCC	1
-5	HCC-1306-11C3	Hand Pocket		HCC	1	
-6	HCC-1306-9	2" Bubble Window (LH)		HCC	1	
	HCC-1306-10	2" Bubble Window (RH)		HCC	1	

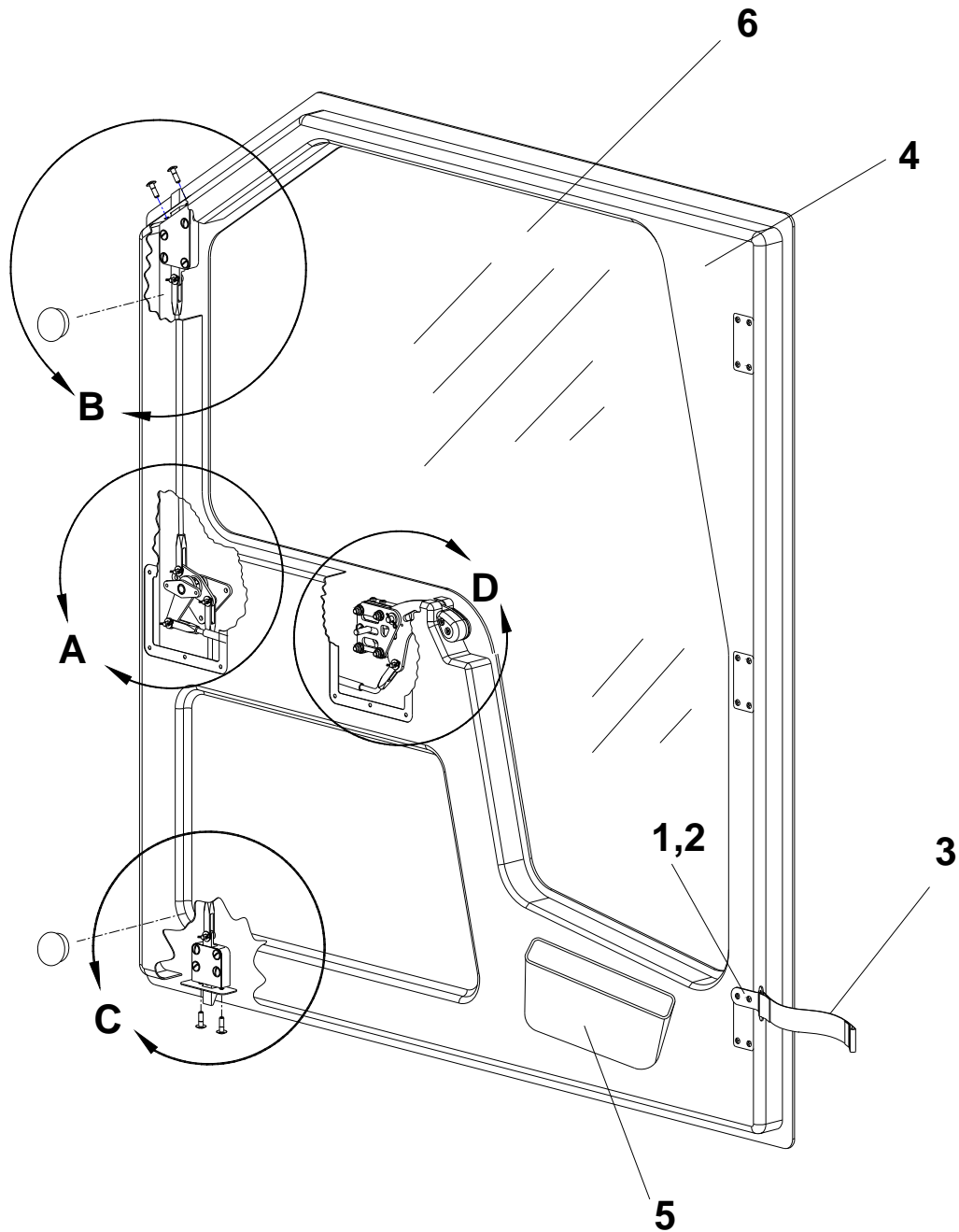


Figure 2  
Fiberglass Cargo Door Assembly (View on Inside)

Figure And Index Number	GROUP <b>Doors</b>		Effect.	Vendor Ident.	Units Per Assy
	MAJOR ASSEMBLY <b>2C1 &amp; 2C2 Composite Aft Door</b>				
	PART No.	DESCRIPTION			
3-	No Number	Detail A – Exterior Door Handle			
-1	K329	Shaft			1
-2	K335	Bellcrank			1
-3	K345	Bellcrank			1
-4	K315	Cargo Door Handle			1
-5	K343	Bearing Housing			1
-6	K337	Pushrod			1
-7	240-057	Roll Pin		SPN	1
-8	240-025	Roll Pin		SPN	1
-9	LFI-0607-06	Iglide Flanged Bushing		IGU	1
-10	MS20392-2C15	Pin, Straight			3
-11	AN960-10L	Washer			3
-12	MS24665-151	Cotter Pin			3

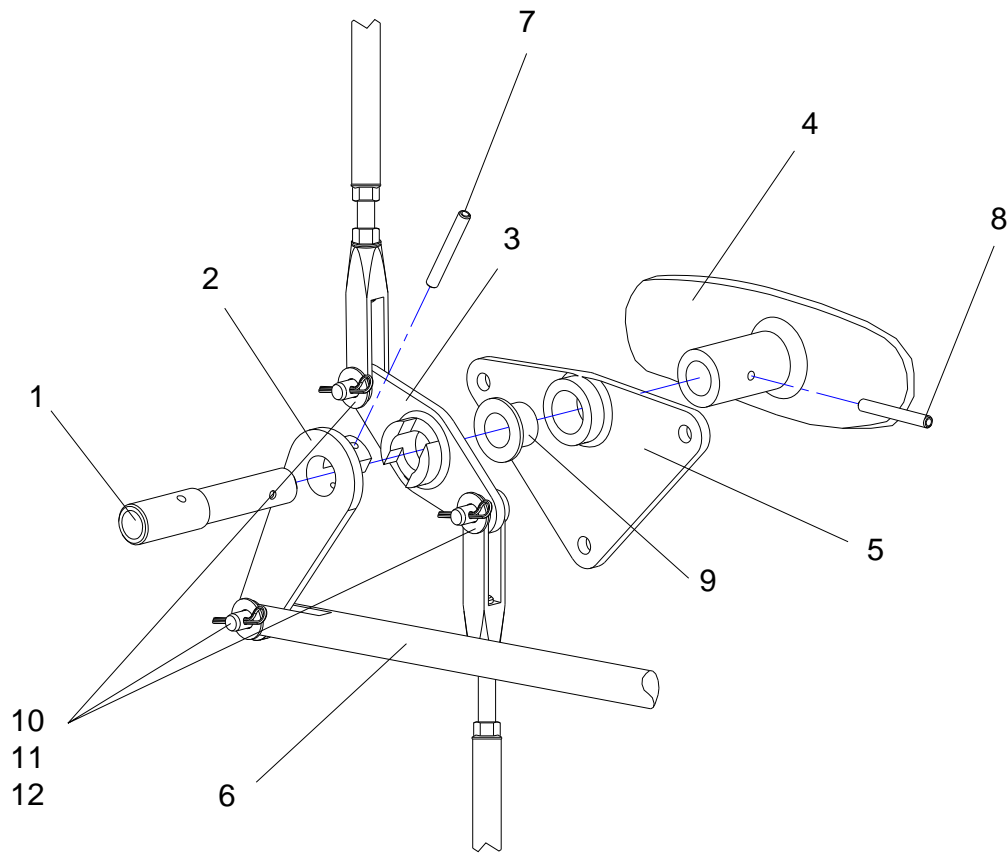


Figure 3  
Exterior Door Handle Assembly (Detail A)

Figure And Index Number	GROUP <b>Doors</b>		Effect.	Vendor Ident.	Units Per Assy
	MAJOR ASSEMBLY <b>2C1 &amp; 2C2 Composite Aft Door</b>				
	PART No.	DESCRIPTION			
4-	No Number	Detail B – Upper Latch Assembly (LH) Upper Latch Assembly (RH)			
-1	K351	Cover Plate			1
-2	K353	Upper Latch Pin (LH)			1
	K354	Upper Latch Pin (RH)			1
-3	K349	Housing Block (LH)			1
	K350	Housing Block (RH)			1
-4	K347	Housing Cover			1
-5	K339	Pushrod			1
-6	MS24665-151	Cotter Pin			1
-7	MS20392-2C15	Pin, Straight			1
-8	AN960-10L	Washer			1
-9	AN525-10R6	Washer Head Screw			4
-10	695-001	Pushrod Yoke		SPN	1

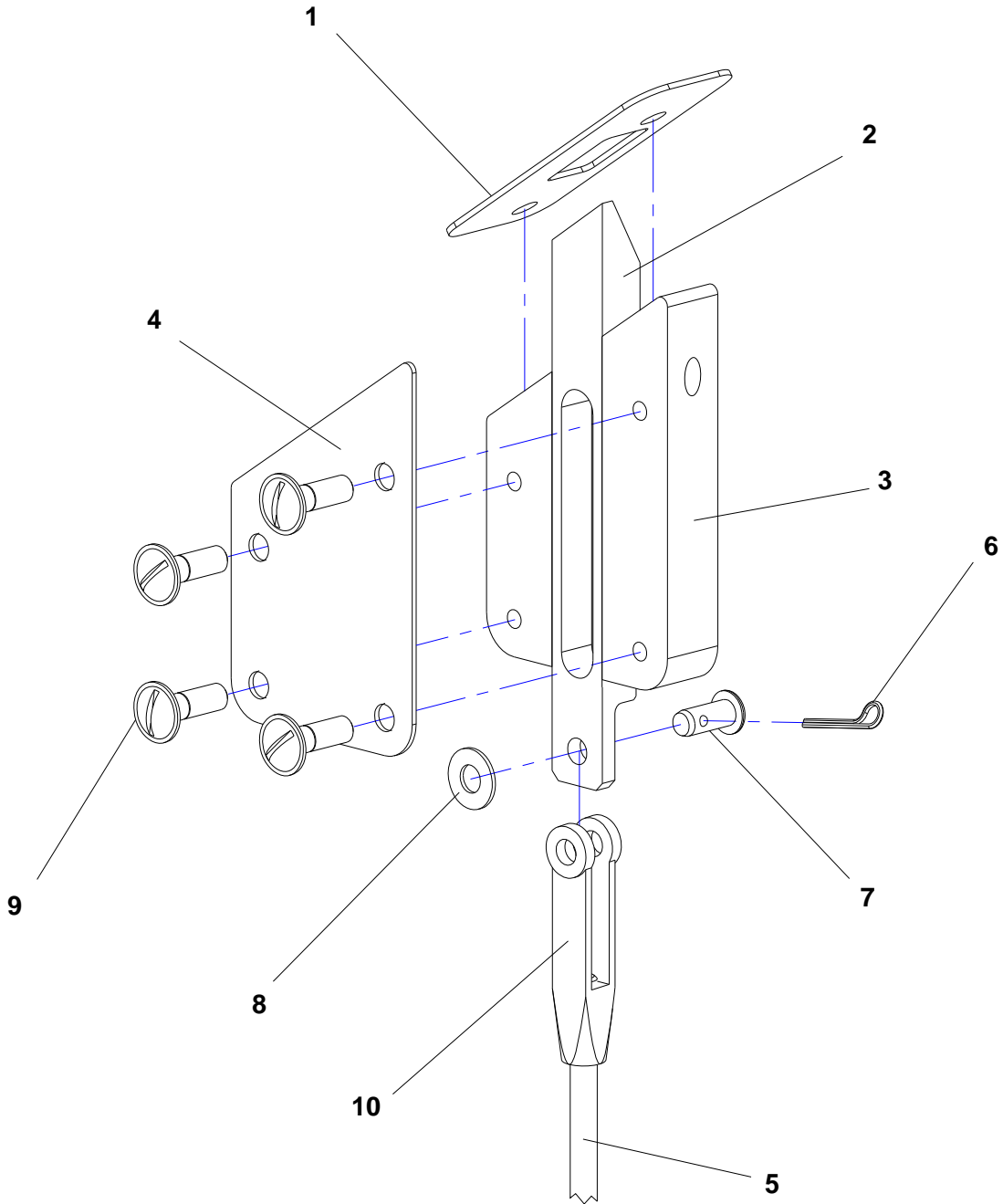


Figure 4  
Upper Latch Assembly (Detail B)

Figure And Index Number	GROUP <b>Doors</b>		Effect.	Vendor Ident.	Units Per Assy
	MAJOR ASSEMBLY <b>2C1 &amp; 2C2 Composite Aft Door</b>				
	PART No.	DESCRIPTION			
5-	No Number	Detail C – Lower Latch Assembly			
-1	K305	Cover Plate			1
-2	K307	Lower Latch Pin			1
-3	K311	Bottom Housing Block			1
-4	K309	Housing Cover			1
-5	K339	Pushrod			1
-6	MS24665-151	Cotter Pin			1
-7	MS20392-2C15	Pin, Straight			1
-8	AN960-10L	Washer			1
-9	AN525-10R6	Washer Head Screw			4
-10	695-001	Pushrod Yoke		SPN	1

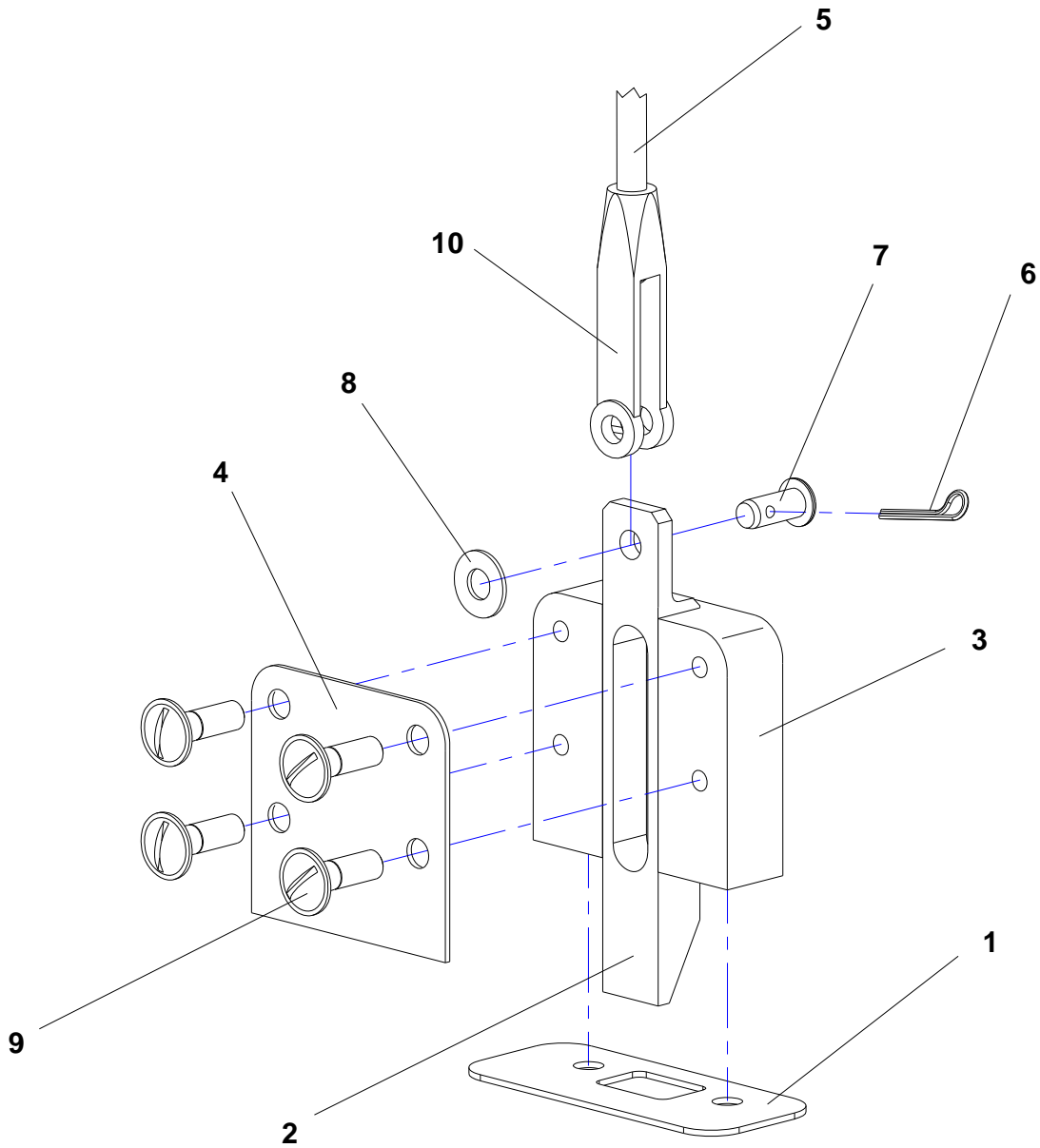


Figure 5  
Lower Latch Detail (Detail C)



Figure And Index Number	GROUP <b>Doors</b>		Effect.	Vendor Ident.	Units Per Assy
	MAJOR ASSEMBLY <b>2C1 &amp; 2C2 Composite Aft Door</b>				
	PART No.	DESCRIPTION			
6-	No Number	Detail D – Interior Lock Handle Assy.			
-1	K501	Lock Handle Assembly (LH)			1
	K502	Lock Handle Assembly (RH) (See Figure 6)			1
-2	K517	Knob, LH			1
-3	K519	Knob, RH			1
-4	K337	Pushrod			1
-5	K545	Spacer			1
-6	AN525-10R22	Screw			4
-7	MS35206-233	Machine Screw			2
-8	MS24665-151	Cotter Pin			1
-9	AN960-10L	Washer			5
-10	MS20392-2C15	Pin, Straight			1
-11	MS21042-3	Nut, Self Locking			4

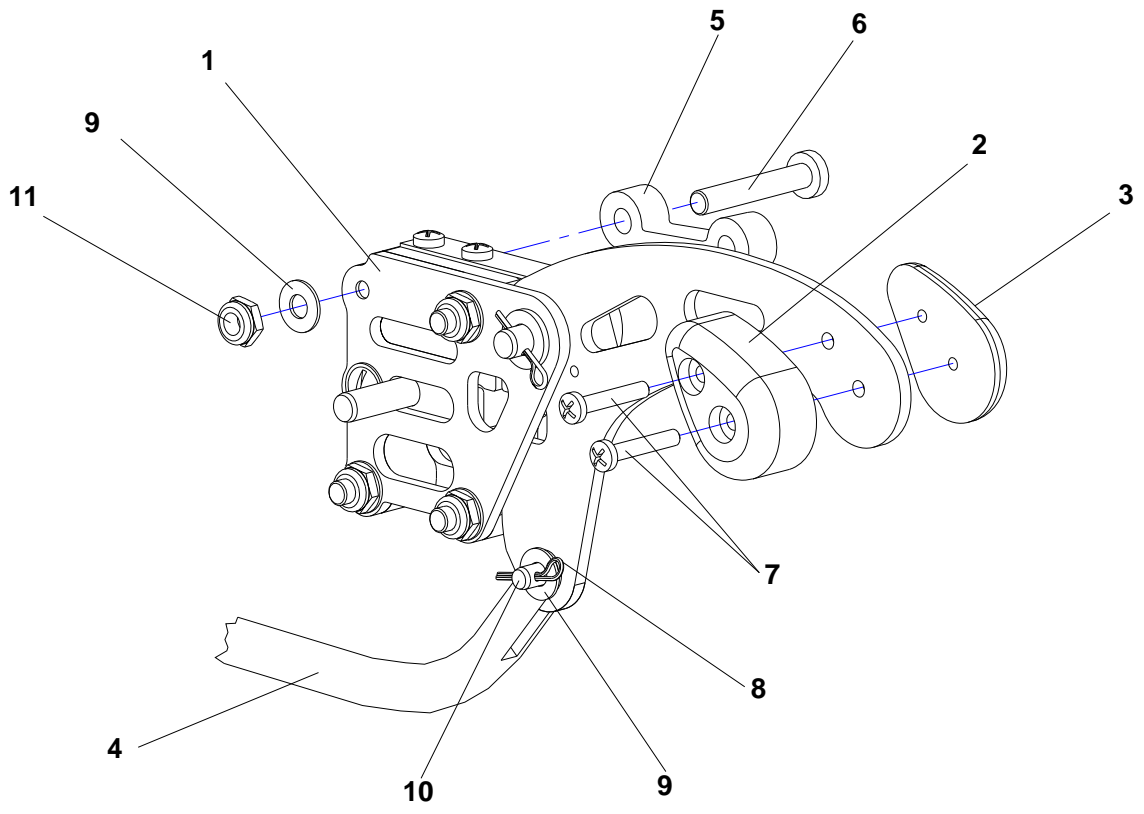


Figure 6  
Interior Lock Handle Installation (Detail D)

Figure And Index Number	GROUP <b>Doors</b>		Effect.	Vendor Ident.	Units Per Assy
	MAJOR ASSEMBLY <b>2C1 &amp; 2C2 Composite Aft Door</b>				
	PART No.	DESCRIPTION			
7-	K501	Door Lock Handle Detail (LH) Door Lock Handle Detail (RH)			1 1
-1	K505	Plate			2
-2	K513	Spring Steel			2
-3	K541	Clamping Plate			1
-4	K503	Housing			1
	K504	Housing			1
-5	K511	Slider			1
-6	K509	Spacer			1
-7	K507	Handle			1
-8	K399	Door Knob Stud			1
-9	MS35206-231	Machine Screw			2
-10	1/4"Dia. Ball	1/4" Dia. Chrome Steel Ball		CNB	1
-11	SP-2000	Spring		SPN	1
-12	MS20392-3C27	Clevis Pin			1
-13	AN525-10R16	Screw			1
-14	MS21042-3	Mini Nut			1
-15	MS24665-151	Cotter Pin			1
-16	AN960-416	Washer			1
-17	230-026	Nylon Insulator		SPN	1

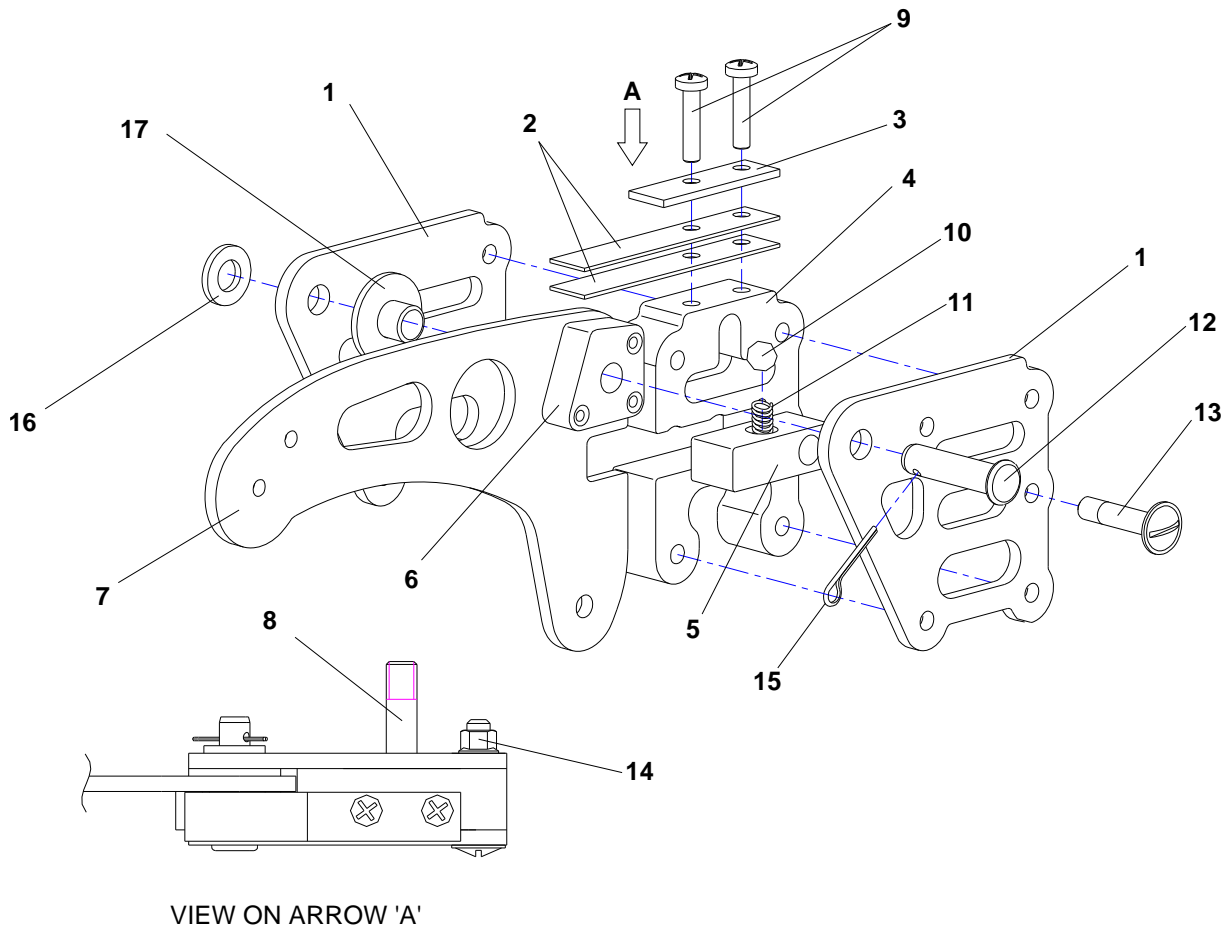


Figure 7  
Door Lock Handle Detail

Figure And Index Number	GROUP		Effect.	Vendor Ident.	Units Per Assy
	Doors				
	MAJOR ASSEMBLY	2C3 & 2C4 Rear Door Assembly			
PART No.	DESCRIPTION				
1-					
-1	N2027	Port Rear Door Assembly			1
	N2028	Stbd. Rear Door Assembly			1
-2	K2301	Port Rear Composite Door Assy.			1
	K2302	Stbd. Rear Composite Door Assy.			1
-3	K2003	Port Rear Door Window			1
	K2004	Stbd. Rear Door Window			1
-4	AN525C832R8	Screw			9
-5	NW8	Nylon Washer		LEA	9
-6	MS21059L08	Nut Plate			9

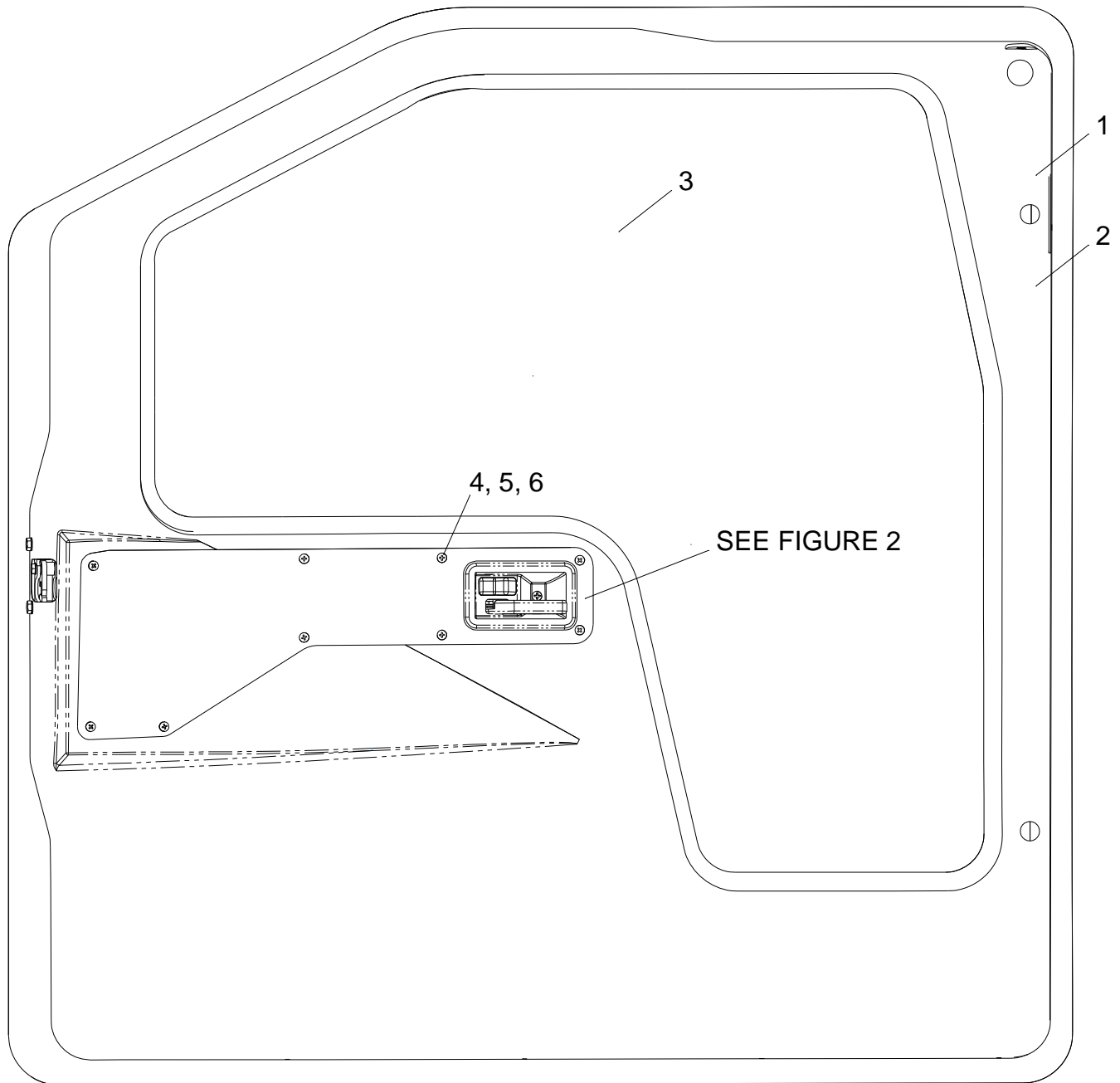


Figure 1  
Complete Rear Door Assembly

Figure And Index Number	GROUP		Doors		Effect.	Vendor Ident.	Units Per Assy
	MAJOR ASSEMBLY		2C3 & 2C4 Rear Door Assembly				
	PART No.	DESCRIPTION					
2-							
-1	K2309	Interior Handle Cable Standoff				1	
-2	K2265	Port Rear Door Access Panel				1	
	K2266	Stbd. Rear Door Access Panel				1	
-3	K2325	Handle Cable Assembly				1	
-4	K2247	Handle Mount Bracket				1	
-5	AN3-5A	#10 Bolt				1	
-6	W-5003	Nylon Washer			SPA	3	
-7	MS21042-3	Nut				1	
-8	MS21059L3	Nut plate				1	
-9	55176477AB	Port Interior Handle Assembly			JEE	1	
	55176476AB	Stbd. Interior Handle Assembly			JEE	1	
-10	AN525-10R9	Screw				1	

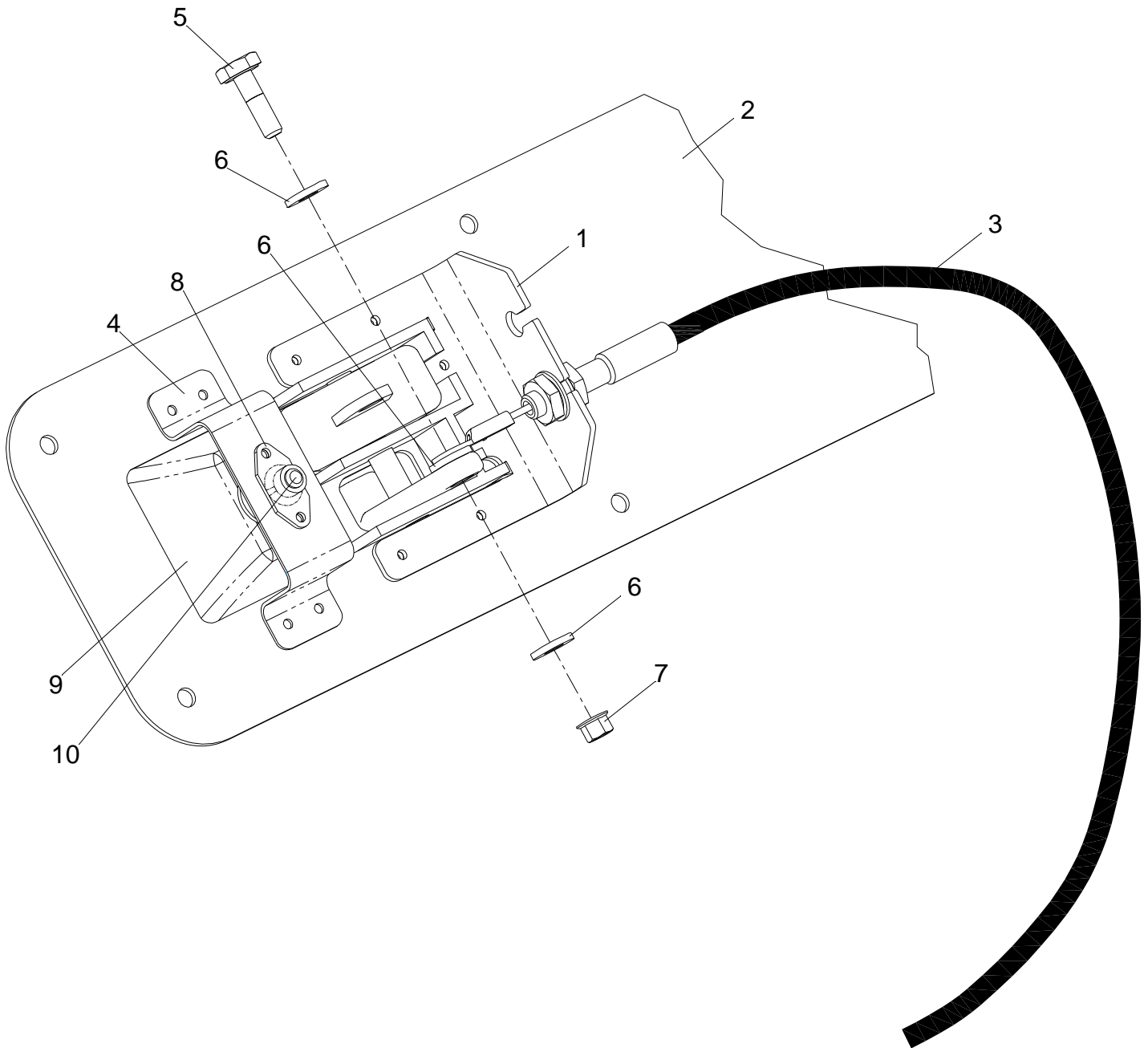
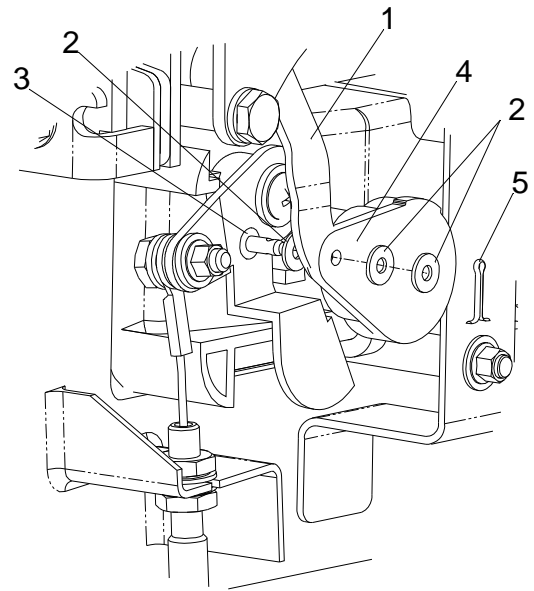
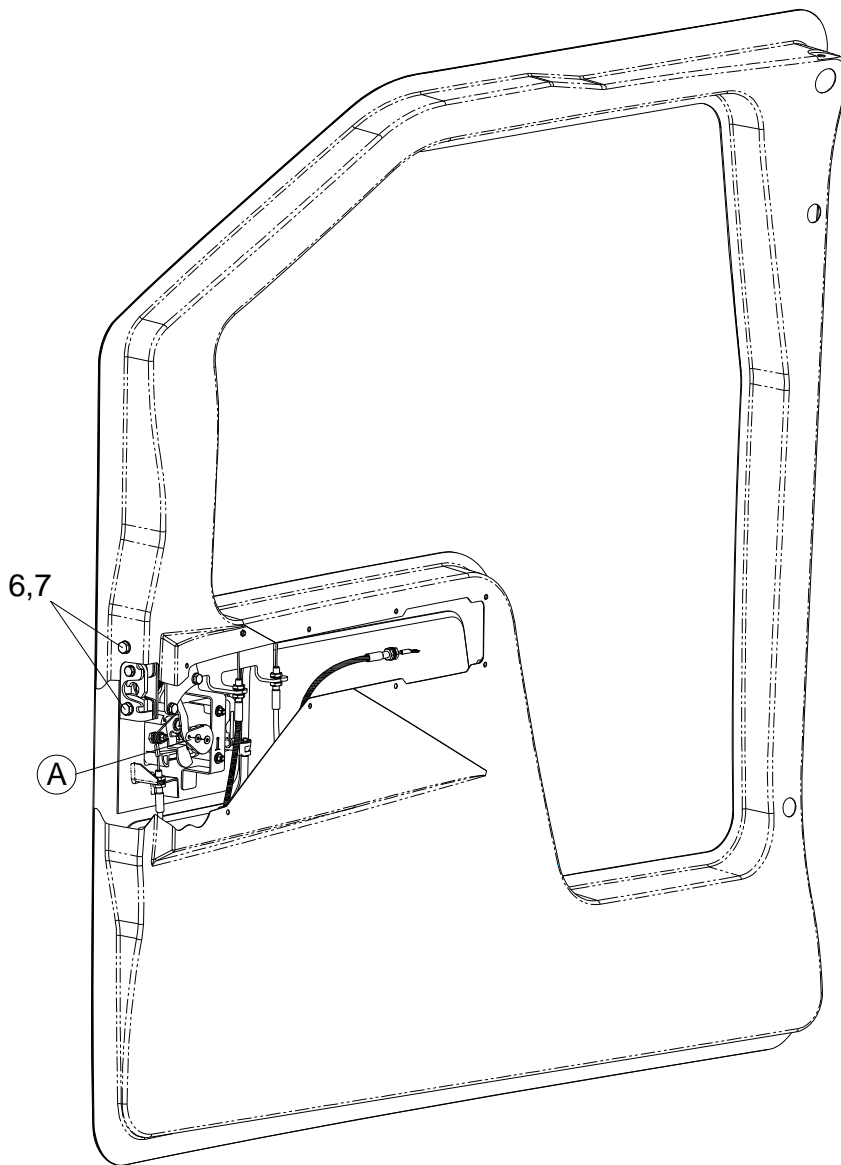


Figure 2  
Interior Handle Connection



Figure And Index Number	GROUP <b>Doors</b>		Effect.	Vendor Ident.	Units Per Assy
	MAJOR ASSEMBLY <b>2C3 &amp; 2C4 Rear Door Assembly</b>				
	PART No.	DESCRIPTION			
3-					
-1	K2321	Port Rear Door Lock Strap			1
	K2322	Stbd. Rear Door Lock Strap			1
-2	AN960-4	Washer			3
-3	MS20392-1C11	Clevis Pin			1
-4	RTC 6686	Port Exterior Handle Assembly		LAN	1
	RTC 6685	Stbd Exterior Handle Assembly		LAN	1
-5	MS24665-151	Cotter Pin			1
-6	8HB14112P	Ø1/4 Hex. Bolt			2
-7	AN960-416L	Washer			2



DETAIL A

Figure 3  
Lock Strap Connection

Figure And Index Number	GROUP <b>Doors</b>		Effect.	Vendor Ident.	Units Per Assy
	MAJOR ASSEMBLY <b>2C3 &amp; 2C4 Rear Door Assembly</b>				
	PART No.	DESCRIPTION			
4-					
-1	K2325	Cable Assembly			1
-2	K2267	Outside Handle Retainer Bracket			1
-3	AN3-5A	#10 Bolt			1
-4	W-5003	Nylon Washer		SPA	3
-5	MCI-03-01	Clip Bushing		IGU	1
-6	MS21042-3	Nut			3
-7	RTC 6686	Port Exterior Handle Assembly		LAN	1
	RTC 6685	Stbd. Exterior Handle Assembly		LAN	1
-8	AN960-10L	Washer			2

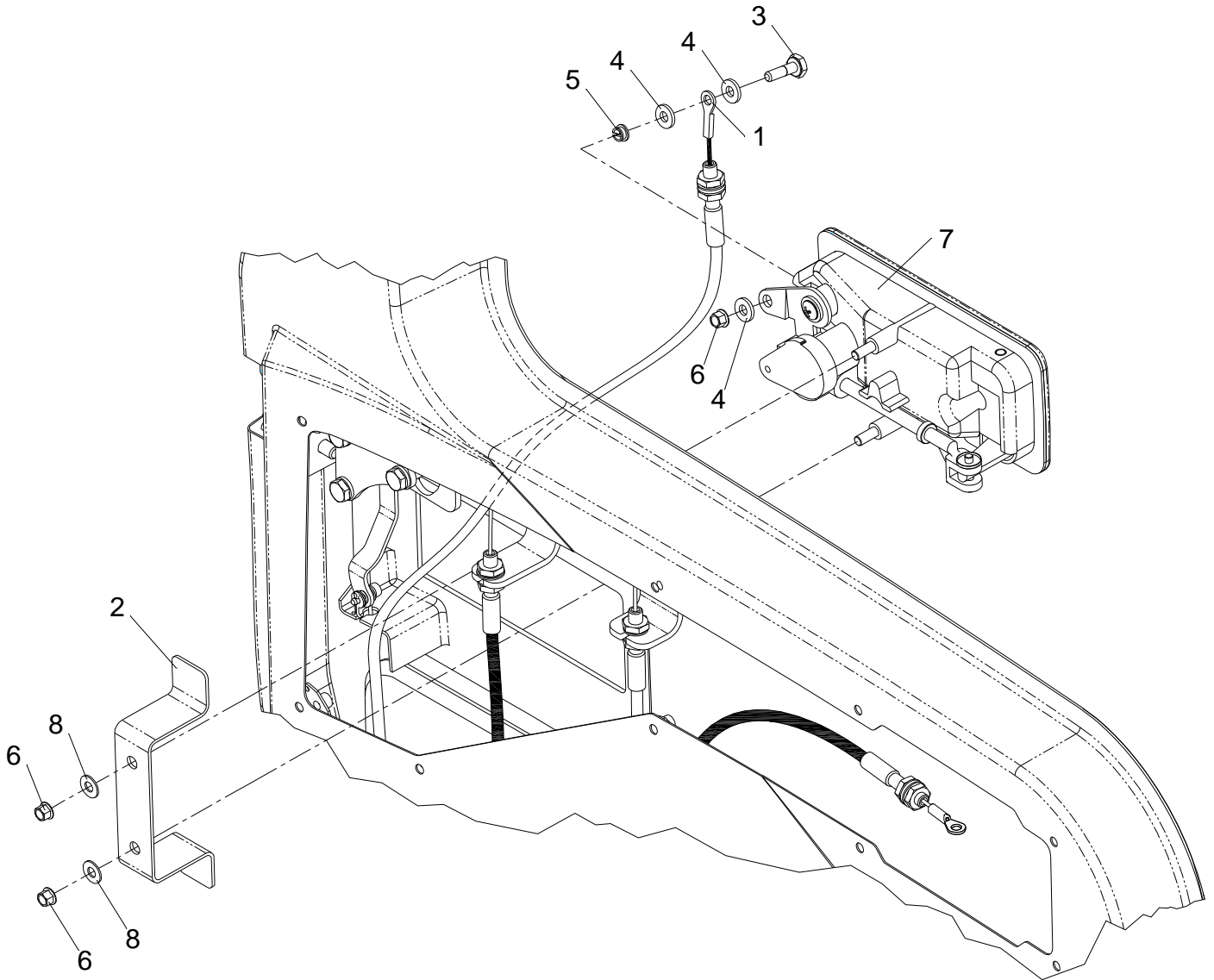


Figure 4  
Exterior Handle Mounting & Cable Connection

Figure And Index Number	GROUP <b>Doors</b>		Effect.	Vendor Ident.	Units Per Assy
	MAJOR ASSEMBLY	<b>2C3 &amp; 2C4 Rear Door Assembly</b>			
	PART No.	DESCRIPTION			
5-					
-1	K2315	Port Latch Spacer			1
	K2316	Stbd. Latch Spacer			1
-2	K2321	Port Fwd Door Lock Strap			1
	K2322	Stbd. Fwd Door Lock Strap			1
-3	K2333	Exterior Handle Bellcrank			1
-4	K2325	Cable Assembly			1
-5	11342-16	Port Latch Mechanism		TRI	1
	11344-16	Stbd. Latch Mechanism		TRI	1
-6	AN3-14A	#10 Bolt			1
-7	AN960-10L	Washer			4
-8	AN960-10	Washer			4
-9	MS21042-3	Nut			5
-10	90295A120	Nylon Washer		MCM	4
-11	MSI-0204-02	Bushing		IGU	1
-12	MCI-03-01	Clip Bushing		IGU	3
-13	AN525-10R8	Screw			1
-14	AN525-10R12	Screw			1
-15	TFI-0304-04	Flange Bushing		IGU	1
-16	654-104	Teflon Washer		SPA	2
-17	MS21083N3	Nut			1
-18	MS35207-267	Screw			1
-19	W-5003	Nylon Washer		SPA	3
-20	AN3-5A	Bolt			1

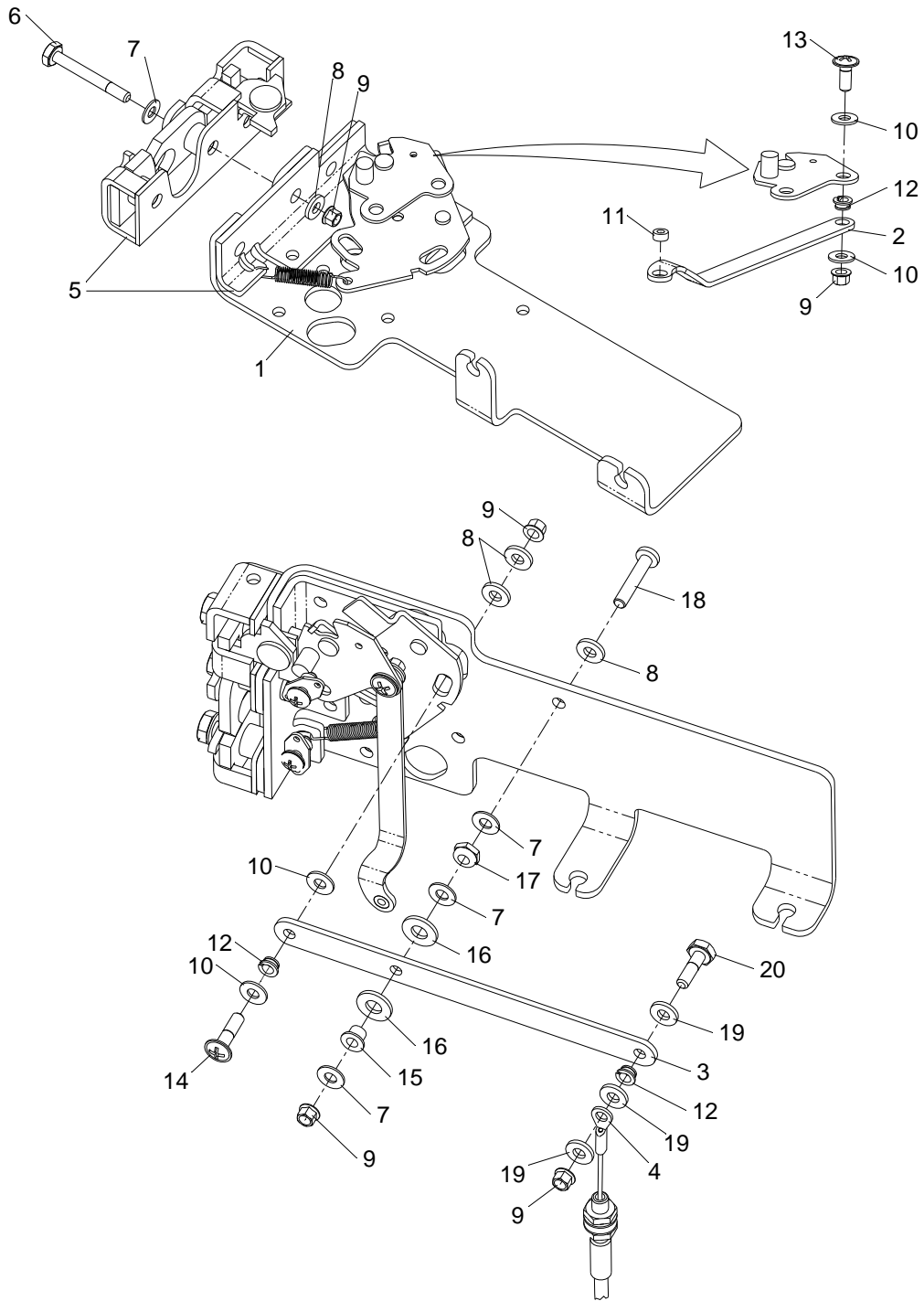


Figure 5  
Latch Build

Figure And Index Number	GROUP <b>Doors</b>		Effect.	Vend or Ident.	Units Per Assy
	MAJOR ASSEMBLY	<b>2C3 &amp; 2C4 Rear Door Assembly</b>			
	PART No.	DESCRIPTION			
5-					
-1	K2305	Port Rear Door Assembly			1
-2	K2285	Port Interior Latch Release Bellcrank			1
	K2286	Stbd Interior Latch Release Bellcrank			1
-3	K2325	Cable Assembly			1
-4	MS21042-3	Stbd. Rear Door Window			5
-5	AN960-10L	Washer			3
-6	AN960-10	Washer			6
-7	NAS43DD3-56N	Spacer			3
-8	AN3-14A	Bolt			3
-9	654-104	Washer			1
-10	AN3-5A	Bolt			1
-11	W-5003	Nylon Washer		SPA	4
-12	MCI-03-01	Clip Bushing		IGU	1
-13	AN525-10R11	Screw			1
-14	TFI-0304-04	Flanged Bushing		IGU	1

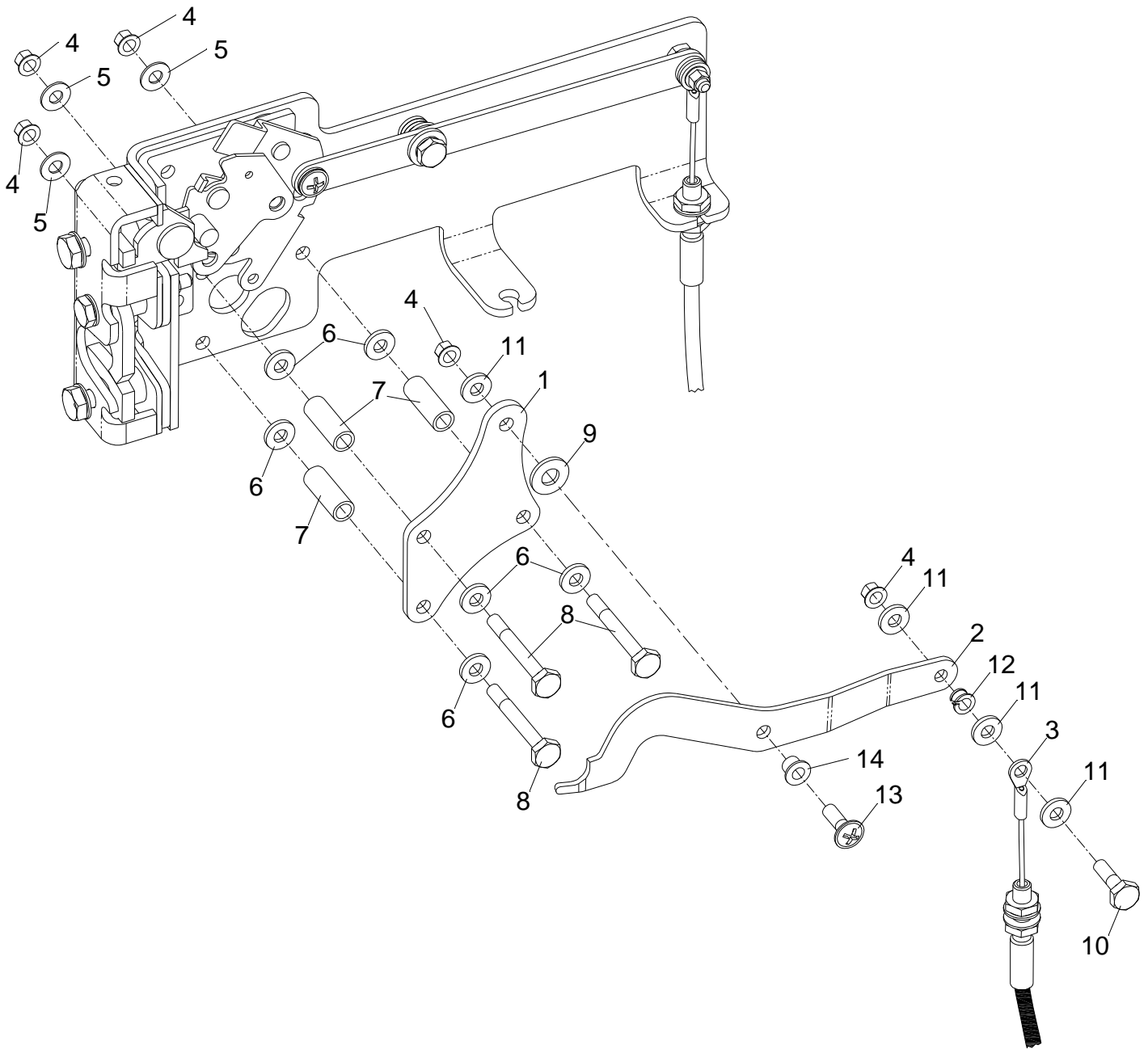


Figure 5  
Latch Build