

CHAPTER 37

VACUUM

List of Effective Pages

Chapter / Section	Page No.	Date
37-00	1	Jul 14, 2011
	2	Jul 14, 2011
37-10	1	Jul 14, 2011
	2	Jul 14, 2011
	3	Jul 14, 2011
	4	Jul 14, 2011
	5	Jul 14, 2011
	6	Jul 14, 2011

Chapter / Section	Page No.	Date
-------------------	----------	------

Figure And Index Number	GROUP Vacuum		Effect.	Vendor Ident.	Units Per Assy
	MAJOR ASSEMBLY	Vacuum System Installation			
	PART No.	DESCRIPTION			
1-	No Number	Vacuum System Installation (2C1/2C2)			
-1	1U262-002-32	Heading Indicator		SIG	1
-2	1U149-010	Attitude Gyro		SIG	1
-3	5001	Vacuum Gauge		VAR	1
-4	05-00659	¼" Silicone Hose		ASP	
-5	RA1K10-4-6	3/8" Fitting		RAP	2
-6	RA1K31-4-6-4	3/8" Fitting with ¼" Tee		RAP	2
-7	05-00660	3/8" Silicone Hose		ASP	
-8	RA1J7-1	Inlet Air Filter Assembly		RAP	1
	RA-D9-18-1	Replacement Filter		RAP	
-9	MS21919WH16	Adel Clamp			1
-10	05-00661	5/8" Silicone Hose		RAP	
-11	RA215CC	Dry Air Pump with Gasket		RAP	1
-12	AN840-8D	Hose Nipple to Pipe Thread			1
-13	RA1K10-6-10	5/8" 90° Fitting		RAP	1
-14	RA2H3-12	Vacuum Regulator with Garter Filter		RAP	1
	RA-B3-5-1	Replacement Garter Filter		RAP	

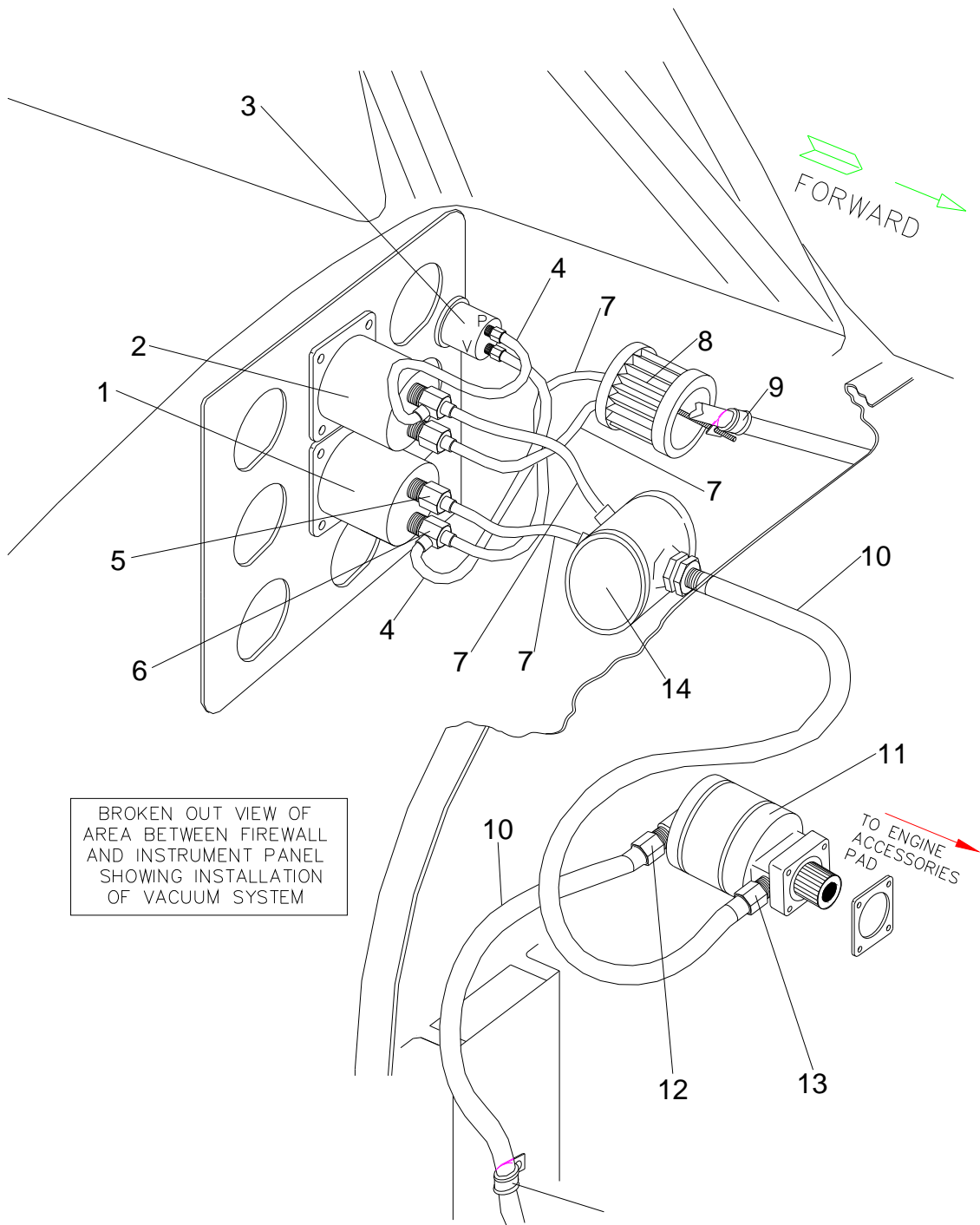


Figure 1
Vacuum System Installation (2C1/2C2)

Figure And Index Number	GROUP Vacuum		Effect.	Vendor Ident.	Units Per Assy
	MAJOR ASSEMBLY	Vacuum System Installation			
	PART No.	DESCRIPTION			
2-	No Number	Vacuum System Installation (2C3/2C4)			
-1	X2093	Vacuum Transducer Bracket			1
-2	1U149-010-5	Attitude Gyro		SIG	1
-3	RA2H3-12	Vacuum Regulator with Garter Filter		RAP	1
	RA1J7-1	Inlet Air Filter Assembly		RAP	1
-4	RA-D9-18-1	Replacement Filter		RAP	
-5	4060-1	ø1/4 to ø5/32 Reducer Union		VAL	2
-6	RA1K10-4-6	3/8" Fitting		RAP	1
-7	RA1K31-4-6-4	3/8" Fitting with 1/4" Tee		RAP	1
-8	1860-1	Pipe Thread to 1/4" Tube Fitting		VAL	1
-9	RA1K10-6-10	5/8" 90° Fitting		RAP	1
-10	MS35206-228	Screw			2
-11	AN6-7A	Bolt			2
-12	No Number	S.S. Hose Clamp, 3-5/16" to 4-1/4"			1
-13	No Number	1/4" Dia Clear Tubing			
-14	No Number	3/8 Dia Clear Tubing			

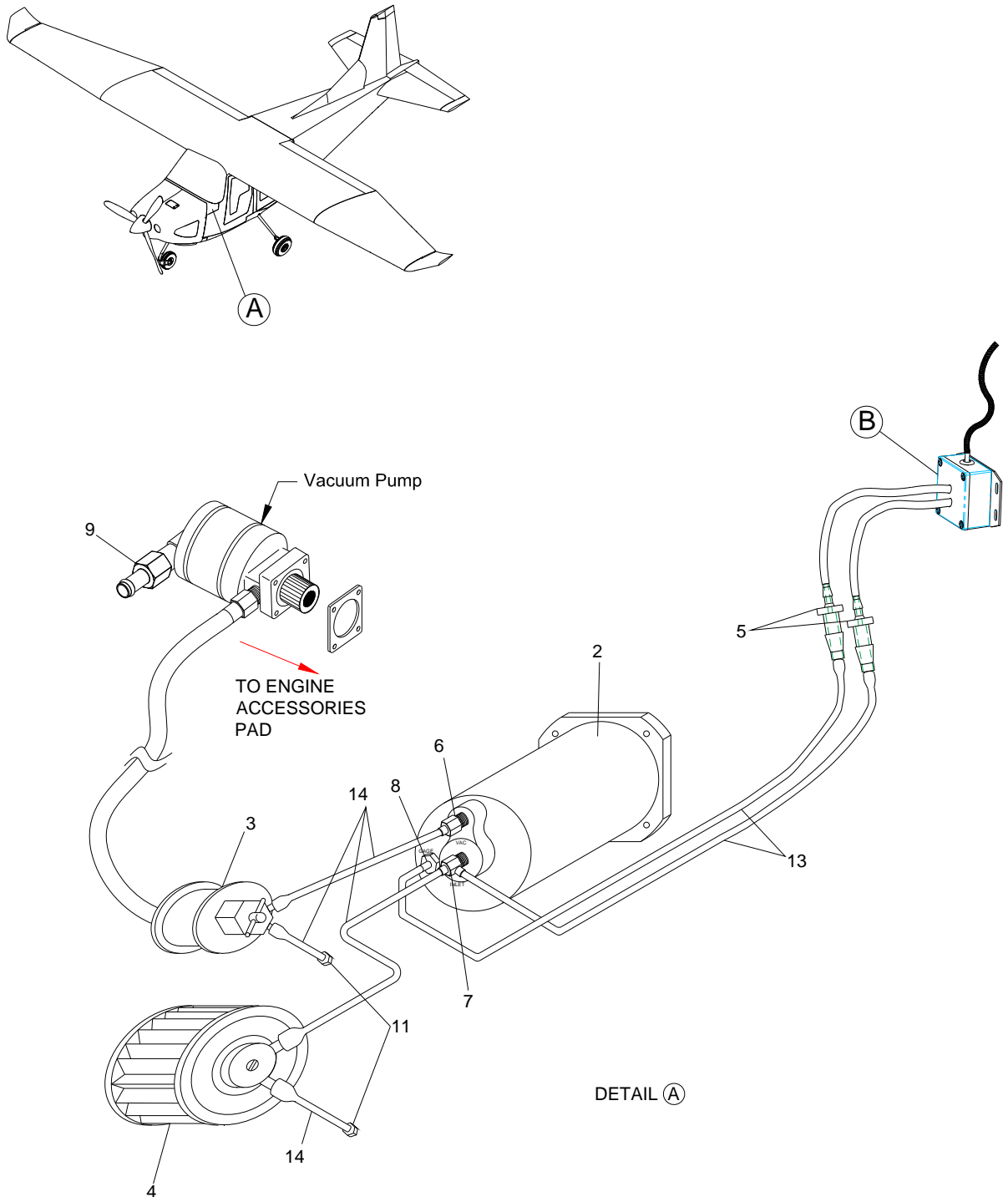


Figure 2 (Sheet 1)
Vacuum System Installation (2C3/2C4)

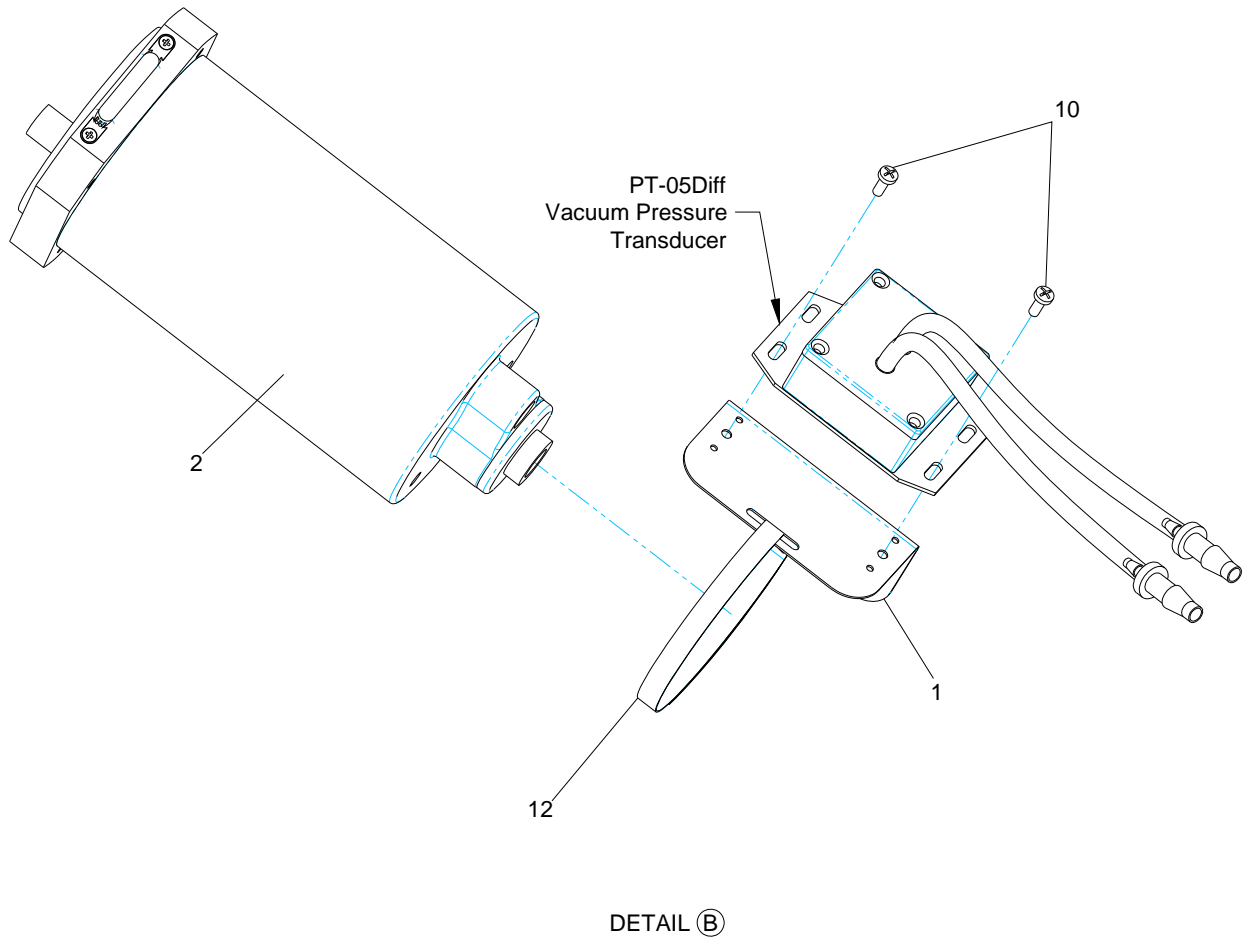


Figure 2 (Sheet 2)
Vacuum System Installation (2C3/2C4)

INTENTIONALLY LEFT BLANK