

CHAPTER 34

FLIGHT & NAVIGATION INSTRUMENTS

List of Effective Pages

Chapter / Section	Page No.	Date
34-00	1	Jul 14, 2011
	2	Jul 14, 2011
34-11	1	Jul 14, 2011
	2	Jul 14, 2011
	3	Jul 14, 2011
	4	Jul 14, 2011
	5	Jul 14, 2011
	6	Jul 14, 2011
34-18	1	Jul 14, 2011
	2	Jul 14, 2011
34-23	1	Jul 14, 2011
	2	Jul 14, 2011
	3	Jul 14, 2011
	4	Jul 14, 2011
34-24	1	Jul 14, 2011
	2	Jul 14, 2011
34-70	1	Jul 14, 2011
	2	Jul 14, 2011
	3	Jul 14, 2011
	4	Jul 14, 2011
	5	Jul 14, 2011
	6	Jul 14, 2011
	7	Jul 14, 2011
	8	Jul 14, 2011
	9	Jul 14, 2011
	10	Jul 14, 2011

Chapter / Section	Page No.	Date

Figure And Index Number	GROUP Flight & Navigation Instruments		Effect.	Vendor Ident.	Units Per Assy
	MAJOR ASSEMBLY Pitot Static System (2C1/2C2)				
	PART No.	DESCRIPTION			
1-	No Number	Pitot Static System			
-1	7000 C.83	Vertical Speed Indicator		UTI	1
-2	5934P-3A.198	Altimeter		UTI	1
-3	EA5172-1L-FAC	Air Speed Indicator		SIG	1
-4	B-4-TA-1-2	1/8" NPT to 1/4" Nipple		SWG	6
-5	B-2-ST	Street Tee		SWG	2
-6	R-3603	Tygon Tubing			
-7	W835	XP Pitot Tube			1
	or	or			
	PST300-2SW	Pitot Tube (Aero Instruments)		AER	
-8	W831-3	Pitot Boom			1
-9	W831-11	Tube			2
-10	RB-106	Grommet			1
-11	AN3-16A	Bolt			1
-12	AN960-10L	Washer			1
-13	MS21919-WH12	Adel Clamp			1
-14	AN3-3A	Bolt			1

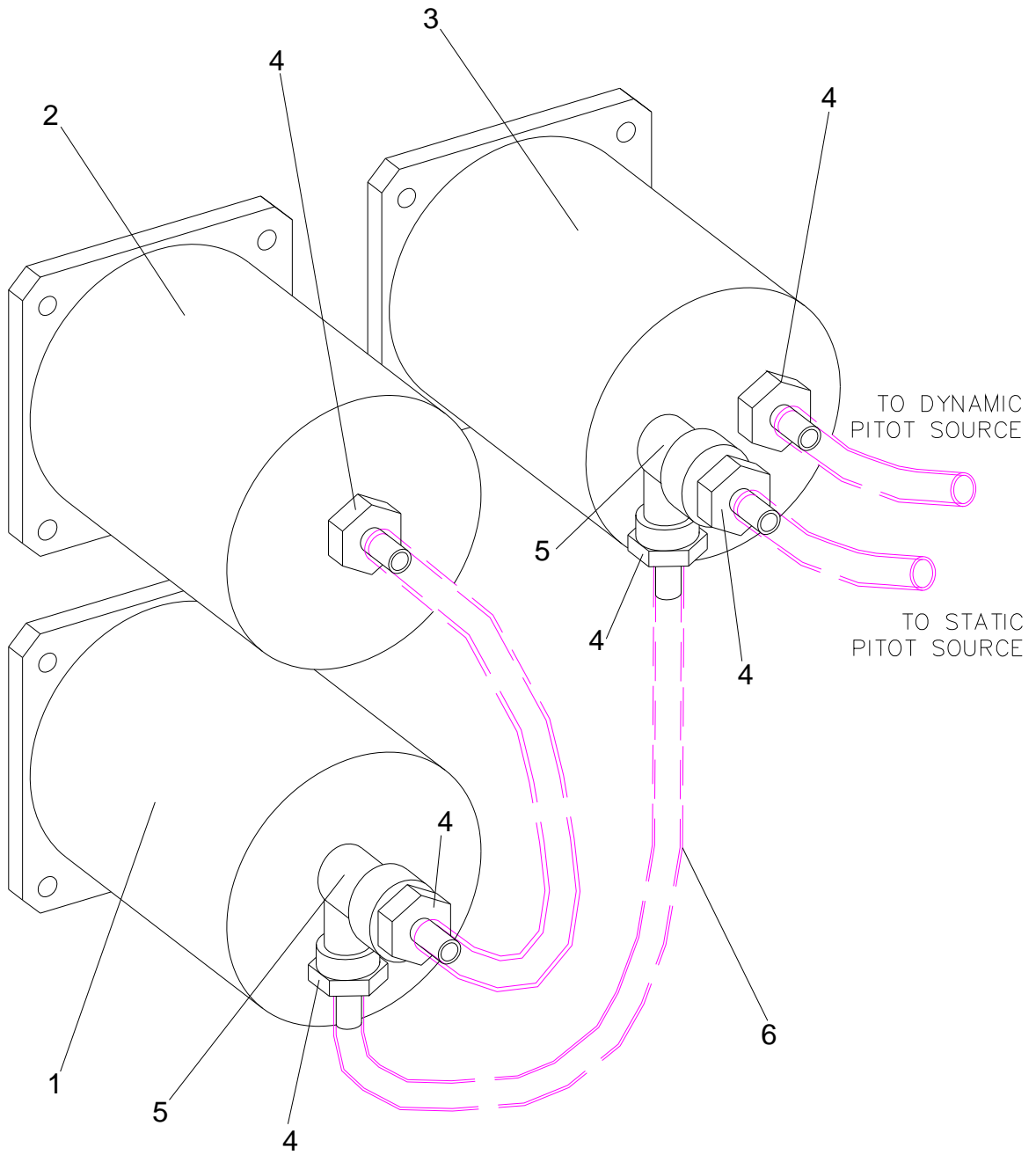


Figure 1 (Sheet 1)
Pitot Static System (2C1/2C2)

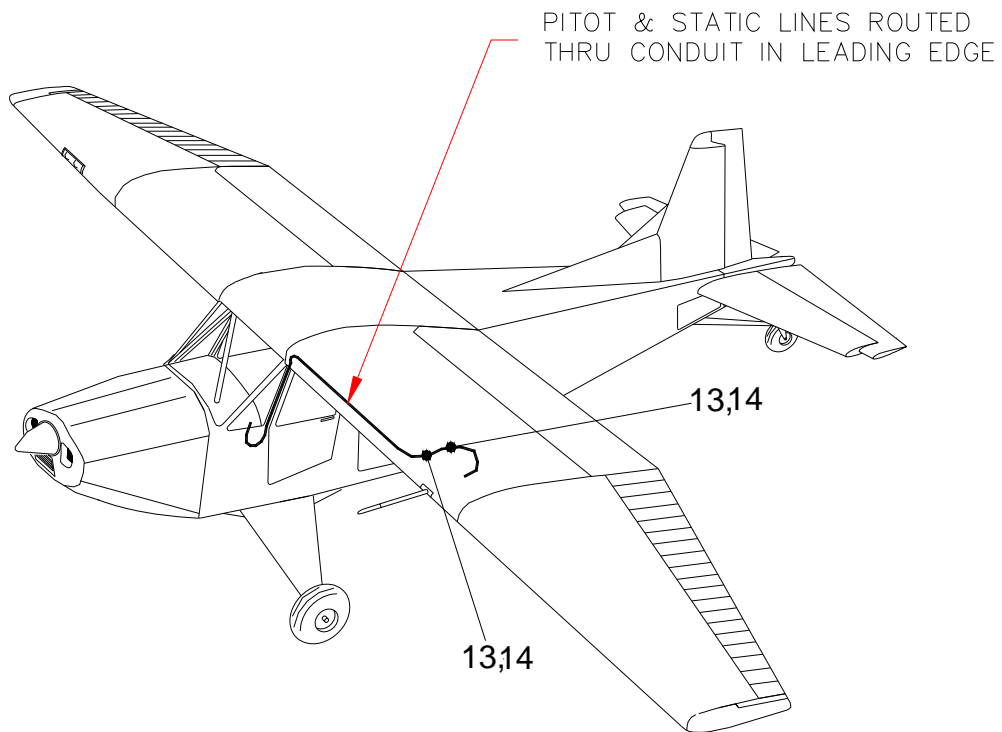
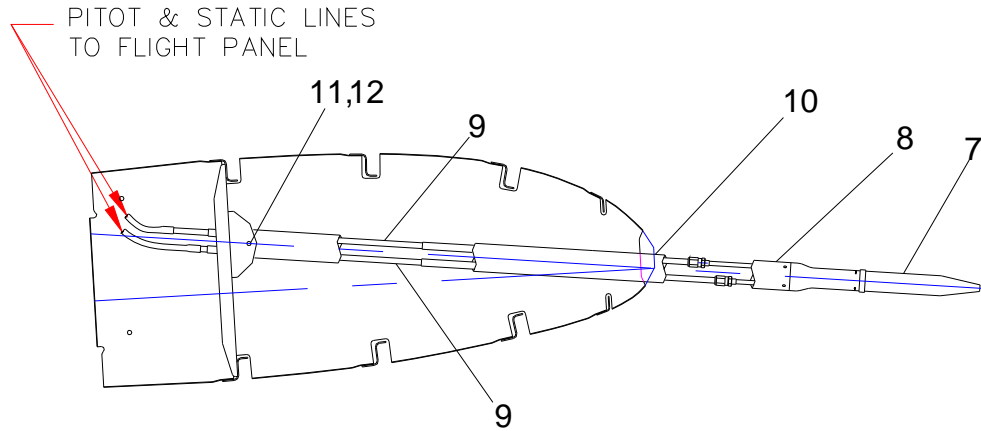


Figure 1 (Sheet 2)
Pitot Static System (2C1/2C2)

INTENTIONALLY LEFT BLANK

Figure And Index Number	GROUP Flight & Navigation Instruments		Effect.	Vendor Ident.	Units Per Assy
	MAJOR ASSEMBLY Pitot Static System (2C3/2C4)				
	PART No.	DESCRIPTION			
1-	X2111	Pitot Static System G500/G600	300		
-1	PH502, (AN5812-1)	Heated L-Type Pitot Head		AER	1
-2	W2033	Mounting Bracket		FAC	1
-3	X2045	1/4" Tube to Flare Adapter		FAC	
-4	X2097	Aft Fuselage Static Port		FAC	
-5	18L260-1	Tube to NPT 90 degree		VP	
-6	T60-1	Tube-Tube-Tube Straight		VP	
-7	PIP60-1	Push In Plug		VP	
-8	Y260-1	Tube-Tube-Tube Y		VP	
-9	1860-1	Tube-NPT Straight		VP	
-10	B-1GF2-A	Alternate Air Switch		SWG	
-11	3060-1	Reducer		VP	
-12	6060-1	Union (May Be Used)		VP	
-13	R-3603	Tygon Tube, (1/4" I.D., 3/8" O.D.)			

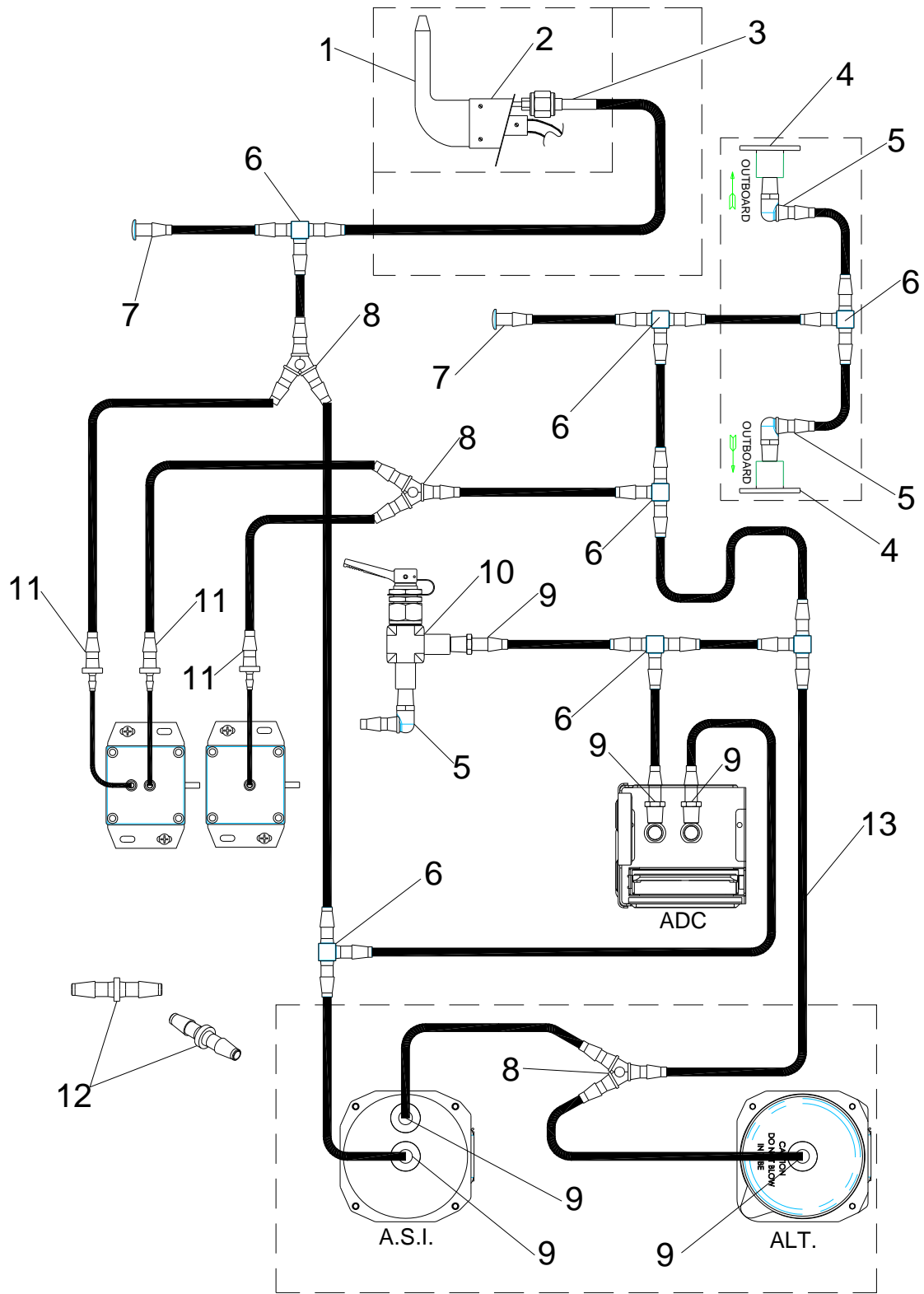


Figure 1
Pitot Static System (2C3/2C4)

Figure And Index Number	GROUP Flight & Navigation Instruments		Effect.	Vendor Ident.	Units Per Assy
	MAJOR ASSEMBLY Stall Warning System				
	PART No.	DESCRIPTION			
1	No Number	Stall Warning System			1
-1	MS3320-5	Circuit Breaker 5 Ampere		TIN	1
-2	No Number	Connector Assembly			1
	1-480340-0	Shell, Pin Housing		AMP	1
	60620-1	Pins		AMP	2
	1-480270-0	Shell, Socket Housing		AMP	1
	60619-1	Sockets		AMP	2
-3	No Number	Stall Warn Light Assembly	40		1
	101-3830-09-201	Lamp Base		DIL	1
	140-1471	Lense, Red		DIL	1
	327	Lamp, (28 Vdc)		CML	1
-4	SC628MN	Stall Horn	40	SON	1
-5	164	Lift Detector		SAF	1

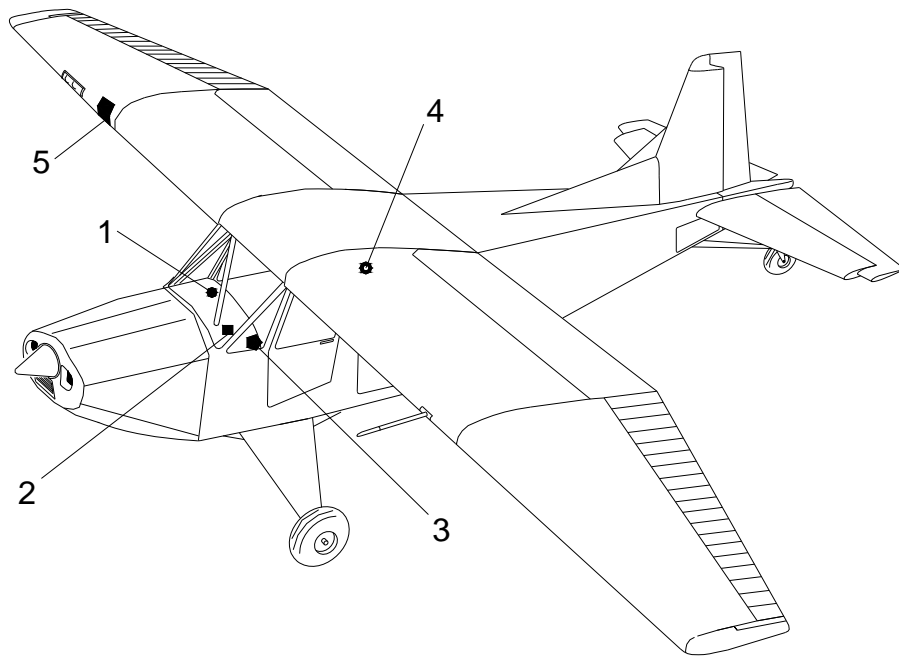
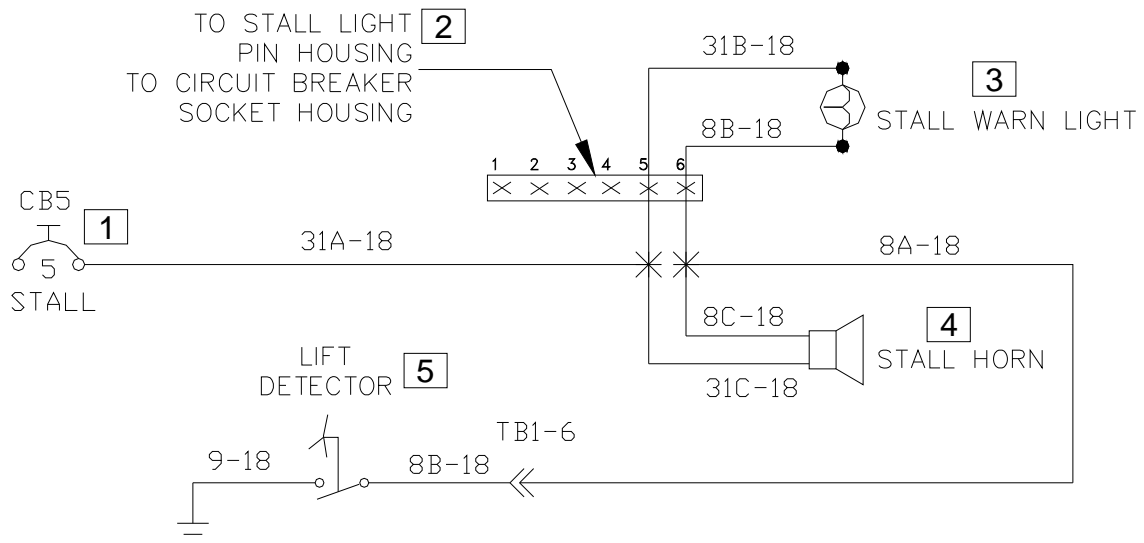


Figure 1 (Sheet 1)
Stall Warning System

Figure And Index Number	GROUP Flight & Navigation Instruments		Effect.	Vendor Ident.	Units Per Assy
	MAJOR ASSEMBLY Magnetic Compass				
	PART No.	DESCRIPTION			
1-	No Number	Airpath Compass Installation			
-1	C2300L4-24	Compass, Airpath		AIR	2
-2	X112	Compass Mounting Bracket			2
-3	MS35214-25	Instrument Screw			3
-4	MS35649-265B	Brass Jam Nut			7
-5	MS35214-28	Instrument Screw			4

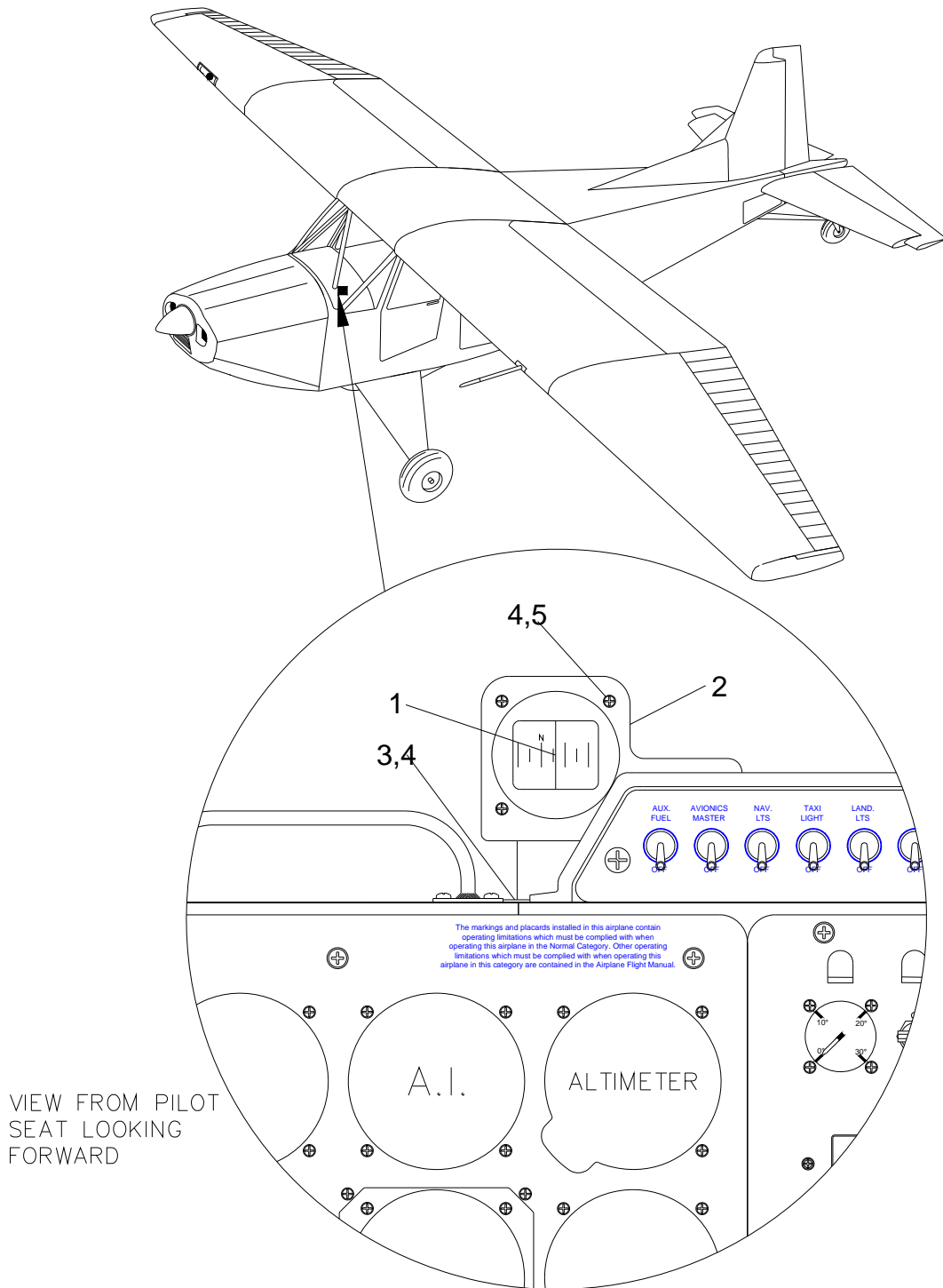


Figure 1
Airpath Compass Installation

Figure And Index Number	GROUP Flight & Navigation Instruments		Effect.	Vendor Ident.	Units Per Assy
	MAJOR ASSEMBLY Magnetic Compass				
	PART No.	DESCRIPTION			
2-	No Number	SIRS Compass Installation			
-1	NV-2400-28V	Compass, SIRS		SIR	1
-2	MS35649-265B	Brass Jam Nut			3
-3	MS35214-28	Instrument Screw			3

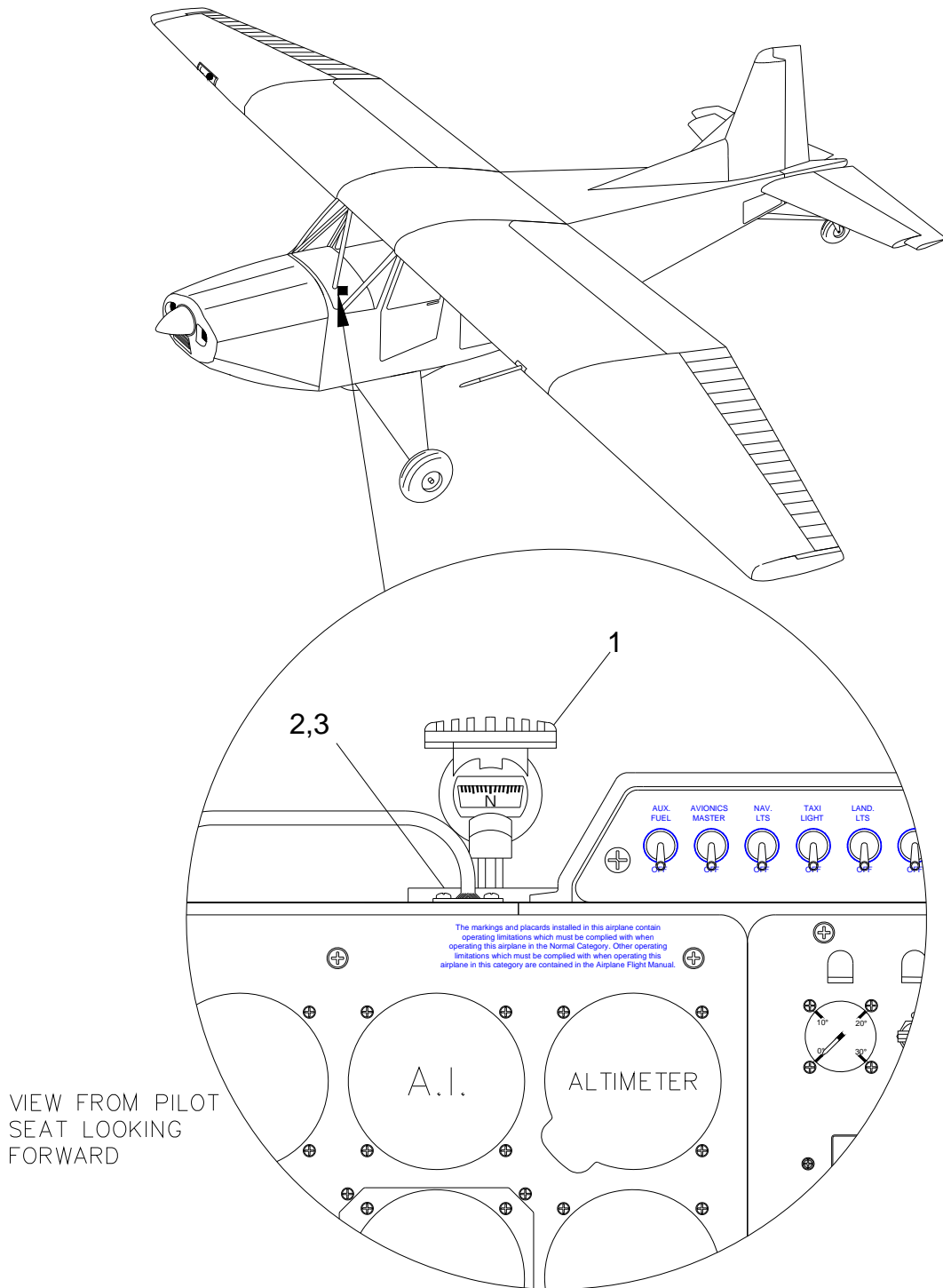


Figure 2
SIRS Compass Installation

Figure And Index Number	GROUP Flight & Navigation Instruments		Effect.	Vendor Ident.	Units Per Assy
	MAJOR ASSEMBLY Electric Turn Coordinator				
	PART No.	DESCRIPTION			
1-	No Number	Electric Turn Coordinator			
-1	1394T100-3Z	Turn Coordinator		MID	1
-2	MS3106R10SL3S	Cannon Connector			1
-3	MS3320-1	Circuit Breaker 1 Ampere		TIN	1

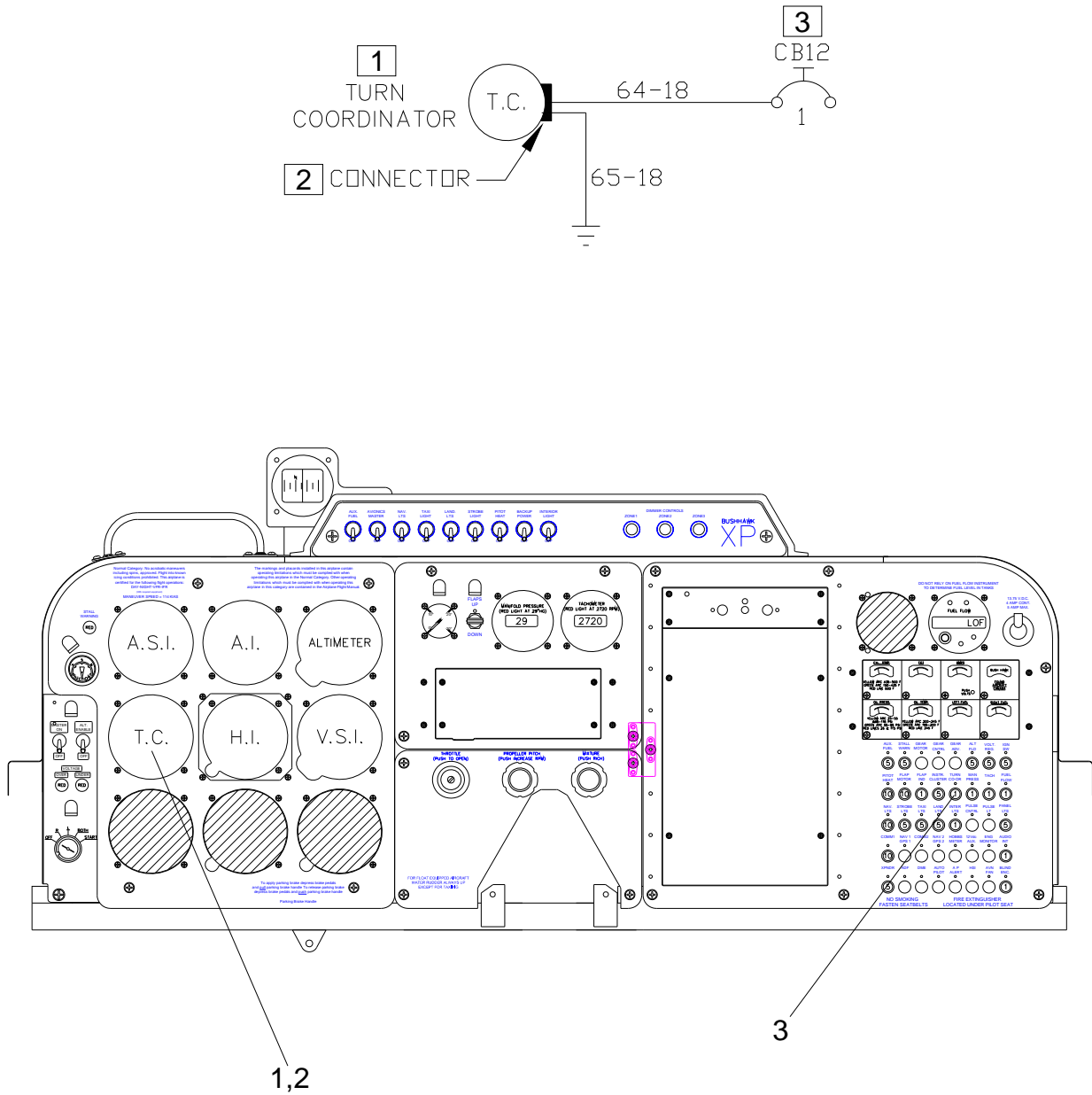


Figure 2
Electric Turn Coordinator

Figure And Index Number	GROUP Flight & Navigation Instruments		Effect.	Vendor Ident.	Units Per Assy
	MAJOR ASSEMBLY G500 Advanced Avionics Suite (2C3/2C4)				
	PART No.	DESCRIPTION			
1-	X2500	G500 Installation			
-1	011-01264-50	GDU 620 LCD Display	301	GAR	1
-2	EA5172-3L-FAC	Airspeed Indicator, (Standby)	300	SIG	1
-3	1U149-010-5	Attitude Gyro (8° Tilt) , (Standby)	300	SIG	1
-4	5934PA-3A.184	Altimeter, (Standby)			1
-5	011-02078-00	Mounting Screw Kit	301	GAR	1
	(211-64307-14)	(Screw from "Mounting Screw Kit")	301	GAR	(6)
-6	MS35214-31	Screw			11
-7	MS33737-16C	Instrument Nut			7

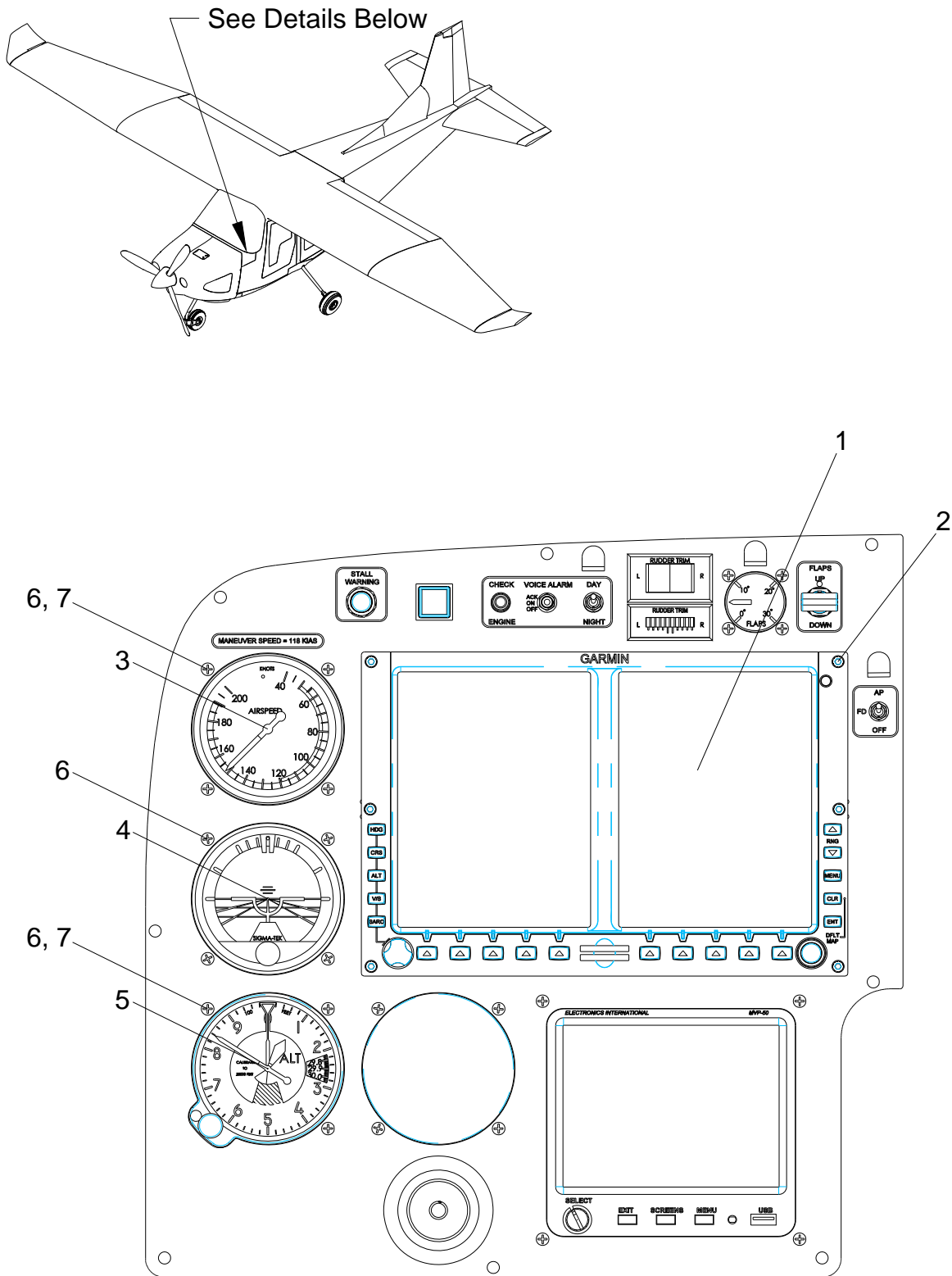


Figure 1 (Sheet 1)
Display Instruments (2C3/2C4)

Figure And Index Number	GROUP Flight & Navigation Instruments		Effect.	Vendor Ident.	Units Per Assy
	MAJOR ASSEMBLY G500 Advanced Avionics Suite (2C3/2C4)				
	PART No.	DESCRIPTION			
1-	X2500	G500 Installation			
-8	010-00295-10	GRS 77 AHRS, (Unit Only)	301	GAR	1
-9	115-00459-00	Remote Install Rack, GRS 77	301	GAR	1
-10	AN3-3A	Bolt			4
-11	AN960-10L	Washer			4

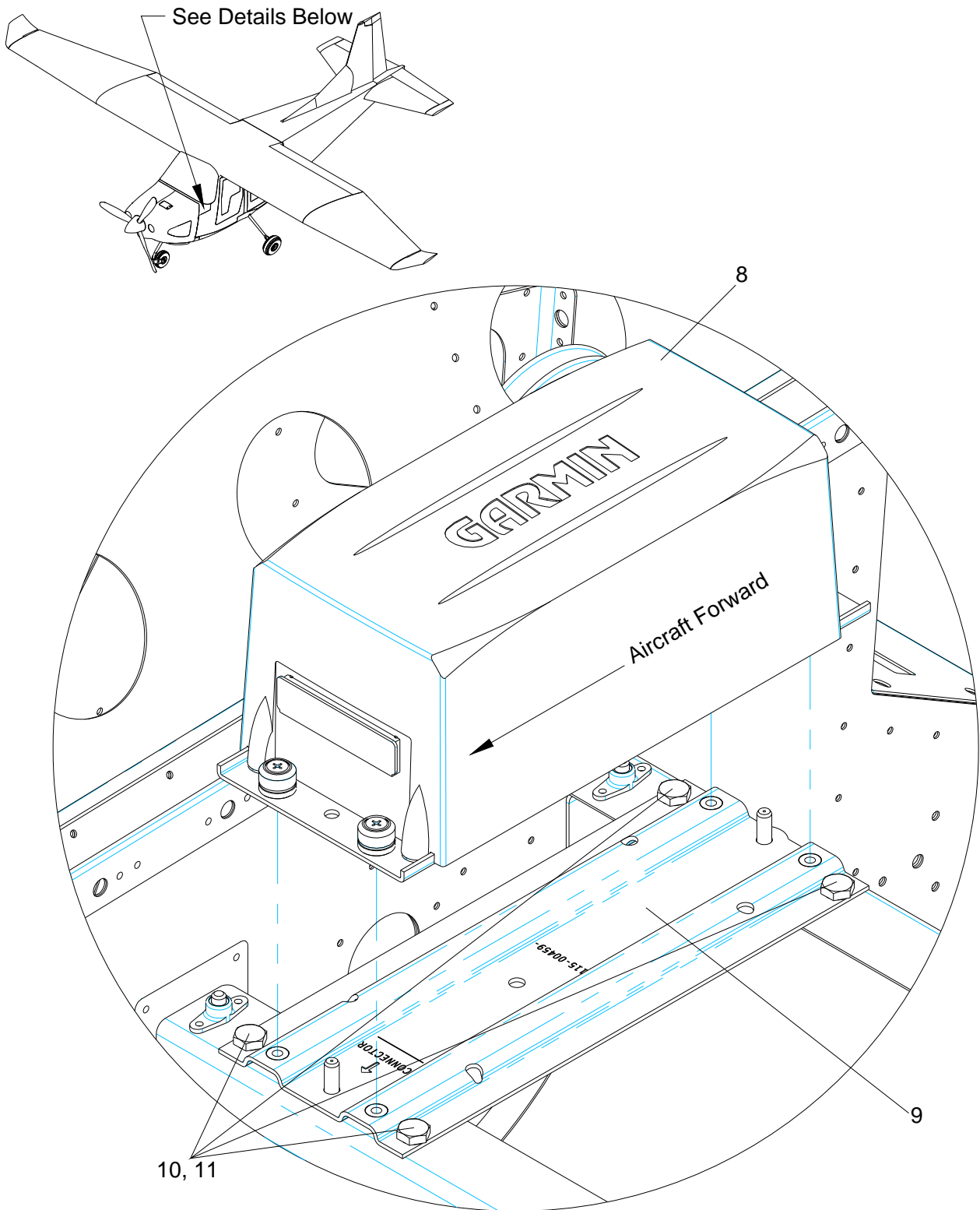


Figure 1 (Sheet 2)
AHRS Installation (2C3/2C4)

Figure And Index Number	GROUP Flight & Navigation Instruments		Effe ct.	Vendor Ident.	Units Per Assy
	MAJOR ASSEMBLY G500 Advanced Avionics Suite (2C3/2C4)				
	PART No.	DESCRIPTION			
1-	X2500	G500 Installation			
-12	010-00336-10	GDC 77 ADC, (Unit Only)	301	GAR	1
	011-01011-00	ADC Mounting Rack	301	GAR	1
-13	115-00574-00	Hold Clamp (part of 011-01011- 00)		GAR	1
-14	115-00573-00	Mounting Plate (part of 011-01011-00)		GAR	1
-15	AN525832R6	Screw			4
-16	AN960-8L	Washer			4
-17	MS21042-08	Nut			4

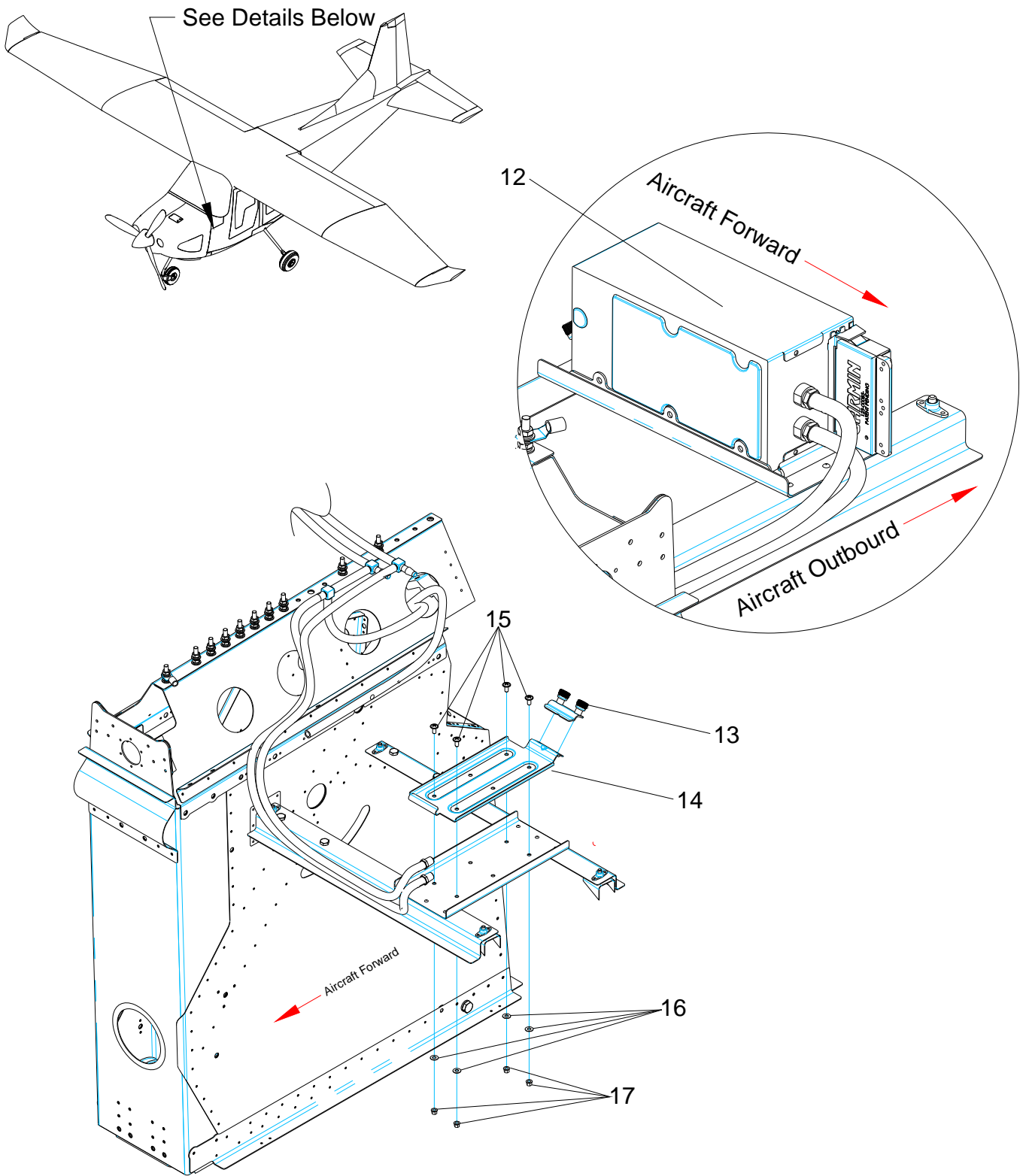


Figure 1 (Sheet 3)
ADC Installation (2C3/2C4)

Figure And Index Number	GROUP Flight & Navigation Instruments		Effect.	Vendor Ident.	Units Per Assy
	MAJOR ASSEMBLY G500 Advanced Avionics Suite (2C3/2C4)				
	PART No.	DESCRIPTION			
1- -18	X2500 011-00978-00	G500 Installation GTP 59 OAT Probe	301	GAR	1

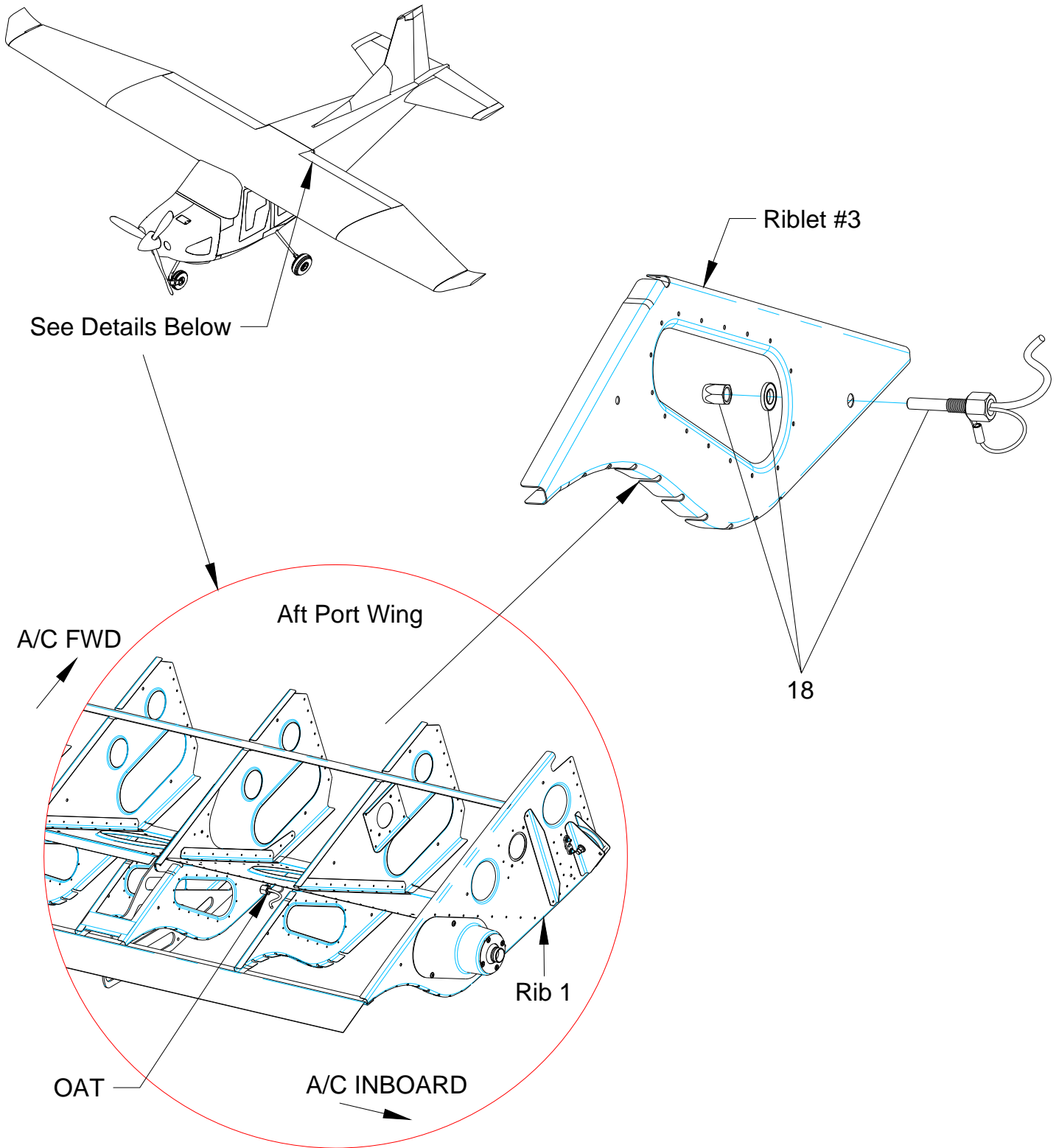


Figure 1 (Sheet 4)
OAT Installation (2C3/2C4)

Figure And Index Number	GROUP Flight & Navigation Instruments		Effect.	Vendor Ident.	Units Per Assy
	MAJOR ASSEMBLY G500 Advanced Avionics Suite (2C3/2C4)				
	PART No.	DESCRIPTION			
1-	X2500	G500 Installation			
-19	011-0870-00	Magnetometer	301	GAR	1
-20	211-60037-08	Screw	301	GAR	3
-21	115-00481-00	Magnetometer Mounting Ring	301	GAR	1
-22	MS24693C28	Screw			3
-23	MS21083C06	Nut			3
-24	011-00871-00	CPC c/w Backshell		GAR	1
-25	MS21919WCJ13	Adel Clamp			1
-26	AN526C832R6	Screw			1

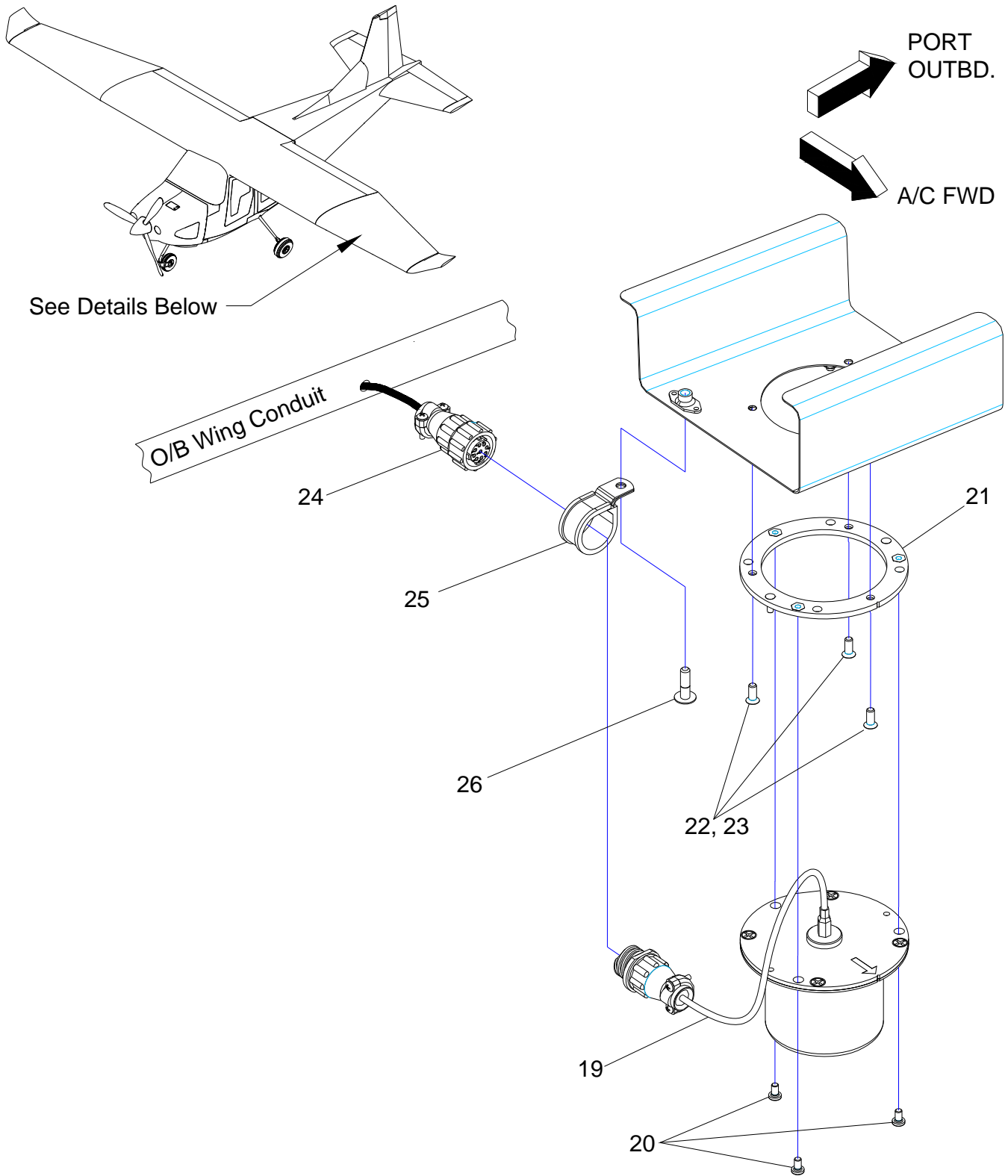


Figure 1 (Sheet 5)
Magnetometer Installation (2C3/2C4)