

# **CHAPTER 33**

# **LIGHTS**

### List of Effective Pages

Chapter / Section	Page No.	Date
33-00	1	Jul 14, 2011
	2	Jul 14, 2011
33-11	1	Jul 14, 2011
	2	Jul 14, 2011
	3	Jul 14, 2011
	4	Jul 14, 2011
	5	Jul 14, 2011
	6	Jul 14, 2011
	7	Jul 14, 2011
	8	Jul 14, 2011
	9	Jul 14, 2011
	10	Jul 14, 2011
33-12	1	Jul 14, 2011
	2	Jul 14, 2011
33-13	1	Jul 14, 2011
	2	Jul 14, 2011
33-41	1	Jul 14, 2011
	2	Jul 14, 2011
33-42	1	Jul 14, 2011
	2	Jul 14, 2011
	3	Jul 14, 2011
	4	Jul 14, 2011
	5	Jul 14, 2011
	6	Jul 14, 2011
	7	Jul 14, 2011
	8	Jul 14, 2011
	9	Jul 14, 2011
	10	Jul 14, 2011
33-43	1	Jul 14, 2011
	2	Jul 14, 2011

Chapter / Section	Page No.	Date
-------------------	----------	------

Figure And Index Number	GROUP <b>Lights</b>		Effect.	Vendor Ident.	Units Per Assy
	MAJOR ASSEMBLY <b>Instrument Panel Lighting Control</b>				
	PART No.	DESCRIPTION			
1-	No Number	Panel Lights Control Circuits			
	-1	No Number	Control Potentiometer		
		RV4NAYSD502A	Potentiometer, 5K Linear	PEC	3
		KN 500B	Knob, 1/4"	AUG	3
	-2	No Number	Transistor Assembly		
		NTE245	Darlington Power Transistor	NTE	3
		401A	Heat Sink	WAK	3
		4725	Transistor Mounting Kit	WAK	3
	-3	MS3320-5	Circuit Breaker 5 Ampere	TIN	1

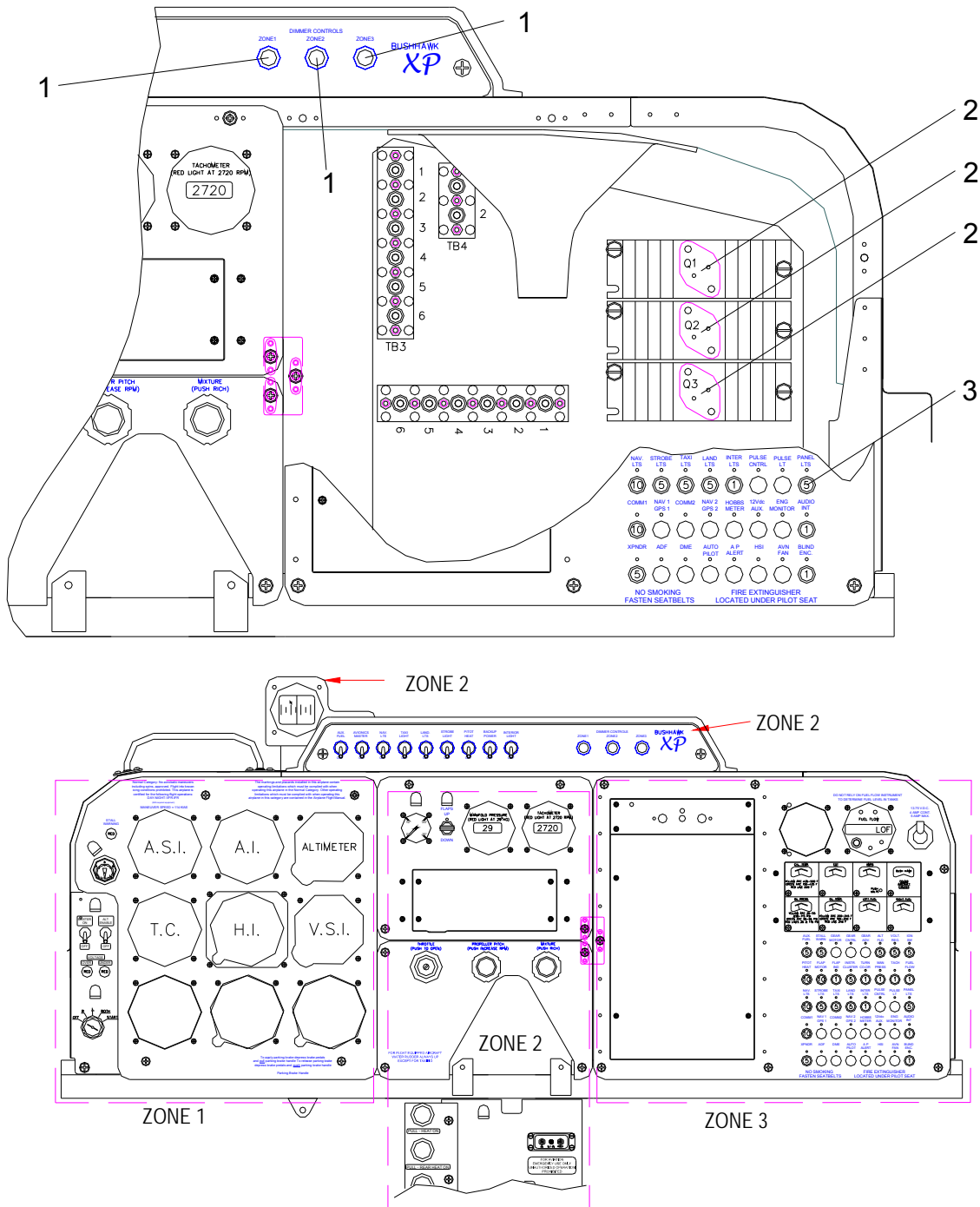


Figure 1 (Sheet 1)  
Panel Lights Control Circuits

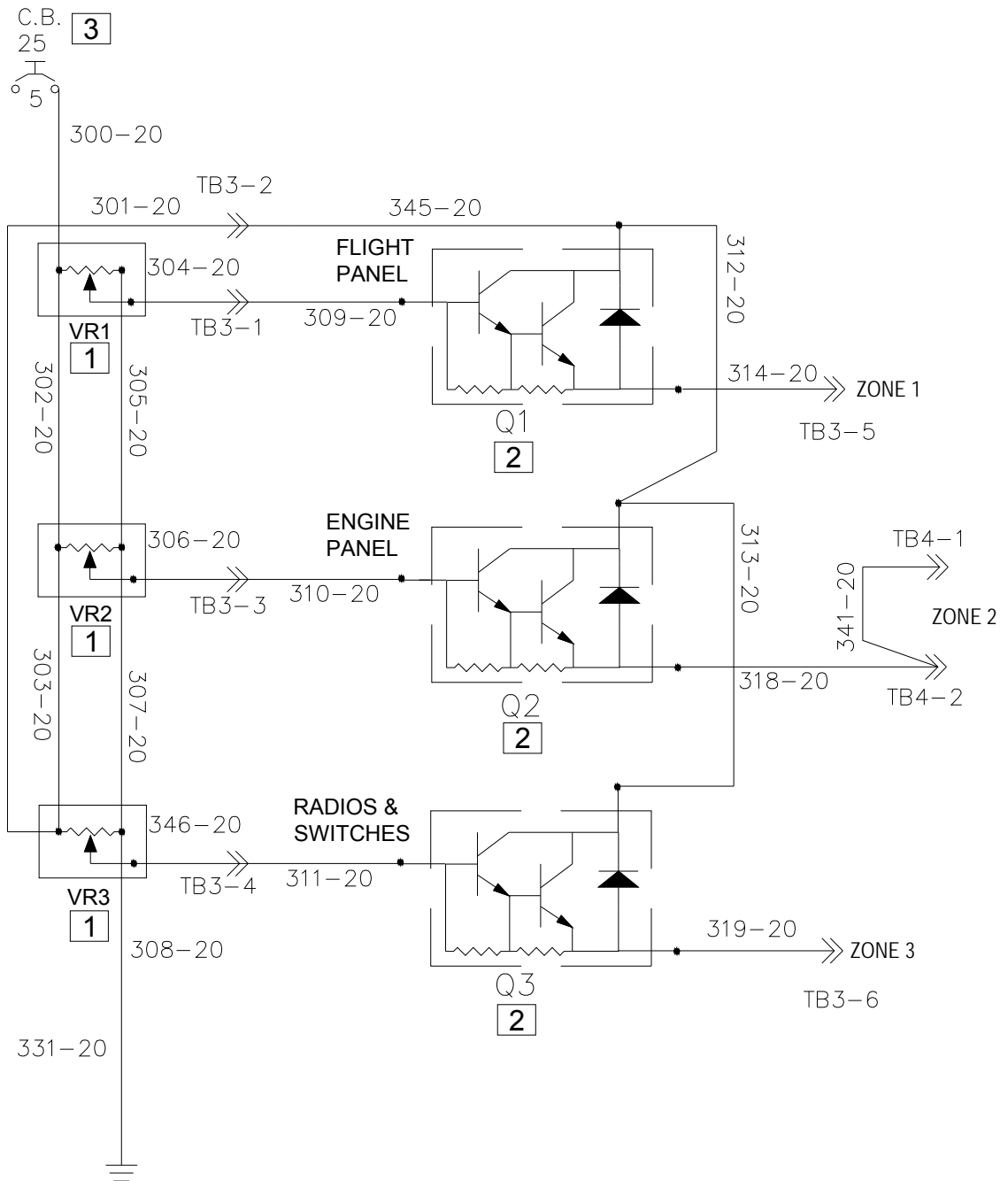


Figure 1 (Sheet 2)  
Panel Lights Control Circuits

INTENTIONALLY LEFT BLANK

Figure And Index Number	GROUP <b>Lights</b>		Effect.	Vendor Ident.	Units Per Assy
	MAJOR ASSEMBLY <b>Instrument Panel Lighting Control</b>				
	PART No.	DESCRIPTION			
2- -1	No Number L933 A350-28 HW068	Zone 1 Panel Lights Circuit Attenuated Post Light Assembly Post Light Resistor, 68 Ohm ½ watt, Flame Proof		WHL NTE	3 3

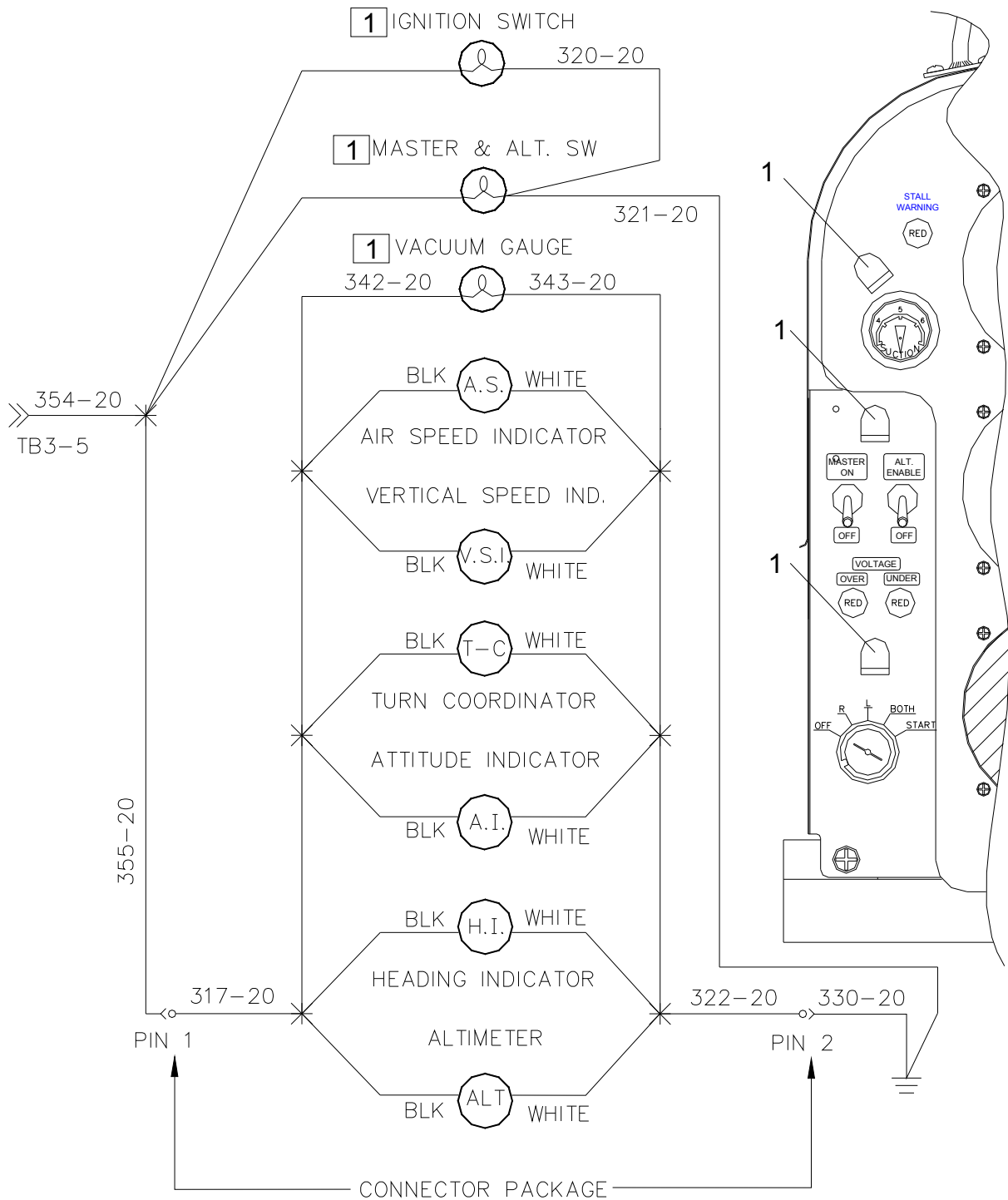


Figure 2  
Zone 1 Panel Lights Circuit



Figure And Index Number	GROUP		Effect.	Vendor Ident.	Units Per Assy
	<b>Lights</b>				
	MAJOR ASSEMBLY	<b>Instrument Panel Lighting Control</b>			
PART No.	DESCRIPTION				
3-	No Number	Zone 2 Panel Lights Circuit			
	-1 L933	Attenuated Post Light Assembly			
	A350-28	Post Light		WHL	3
	HW068	Resistor, 68 Ohm ½ watt, Flame Proof		NTE	3
	-2 X233	Back-Lite Panel			1
	-3 MS90335-5	Back-Lite Panel Connector			1

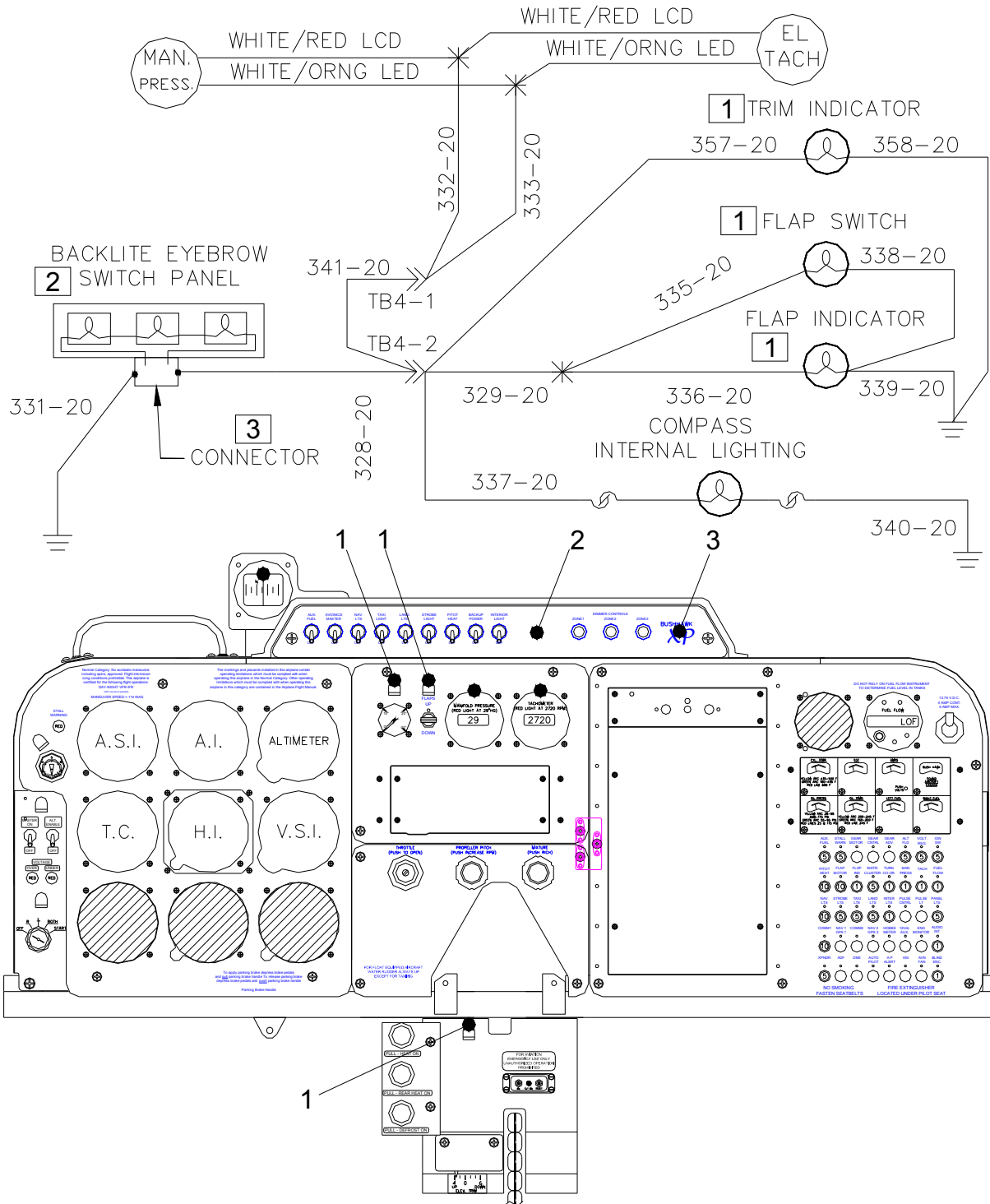


Figure 3  
Zone 2 Panel Lights Circuit

Figure And Index Number	GROUP <b>Lights</b>		Effect.	Vendor Ident.	Units Per Assy
	MAJOR ASSEMBLY <b>Instrument Panel Lighting Control</b>				
	PART No.	DESCRIPTION			
4-	No Number	Zone 3 Panel Lights Circuit			

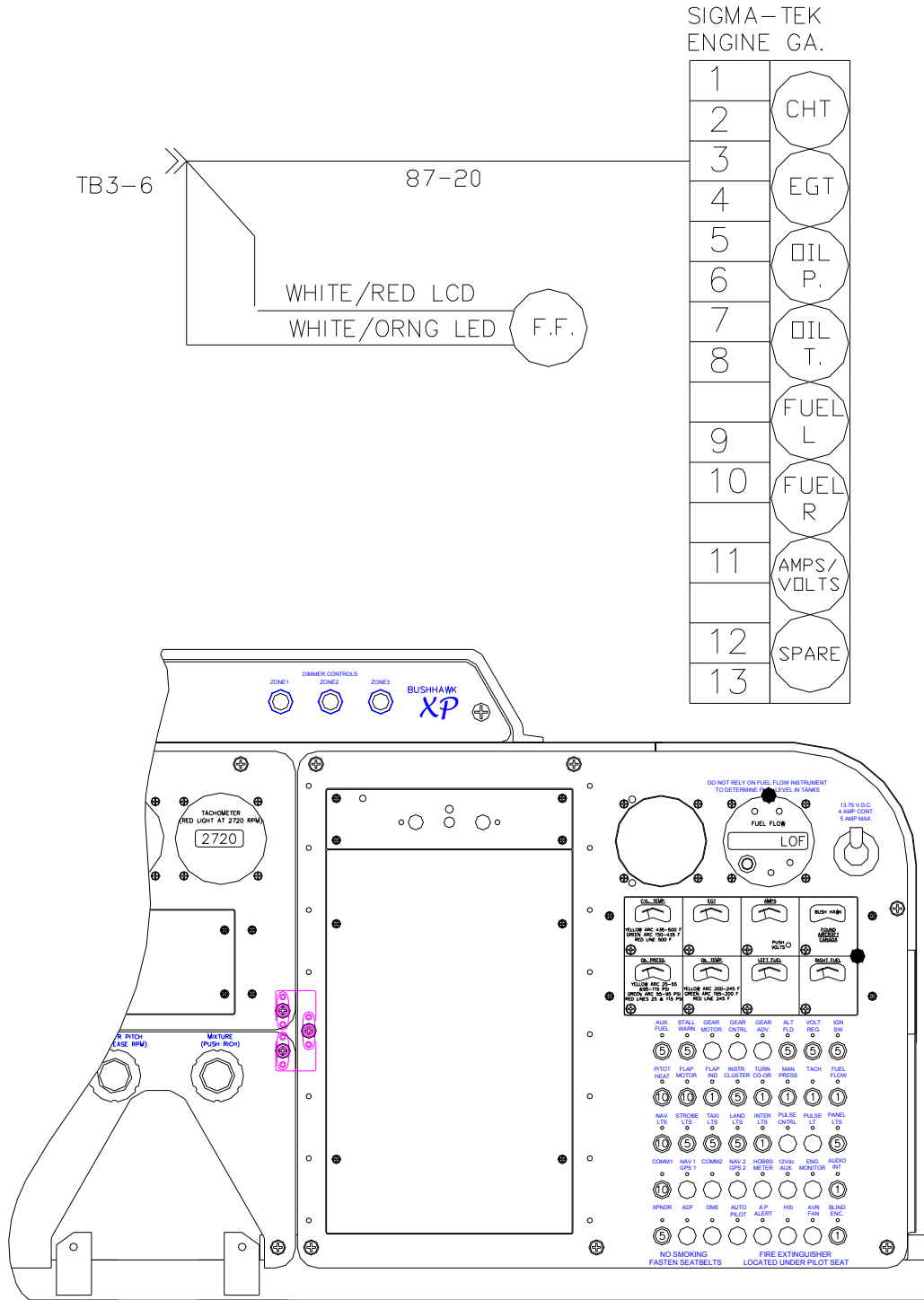


Figure 4  
Zone 3 Panel Lights Circuit

Figure And Index Number	GROUP <b>Lights</b>		Effect.	Vendor Ident.	Units Per Assy
	MAJOR ASSEMBLY <b>Instrument Post Lights</b>				
	PART No.	DESCRIPTION			
1-	L933	Attenuated Post Light Assembly			
-1	01-0770119-15 327	Post Light(A350CN-IW-BK-SH-28V) Lamp		WHL	1 1
-2	PN18-8R	#8 Ring Tongue Terminal Gnd Wire			1
-3	MS21083-N08	Nut			1
-4	1/8" Shrink Tube	1/8" Shrink Tube 2" Long			1
-5	HW068	68Ω ½ Watt, Flame Proof Resistor		NTE	1

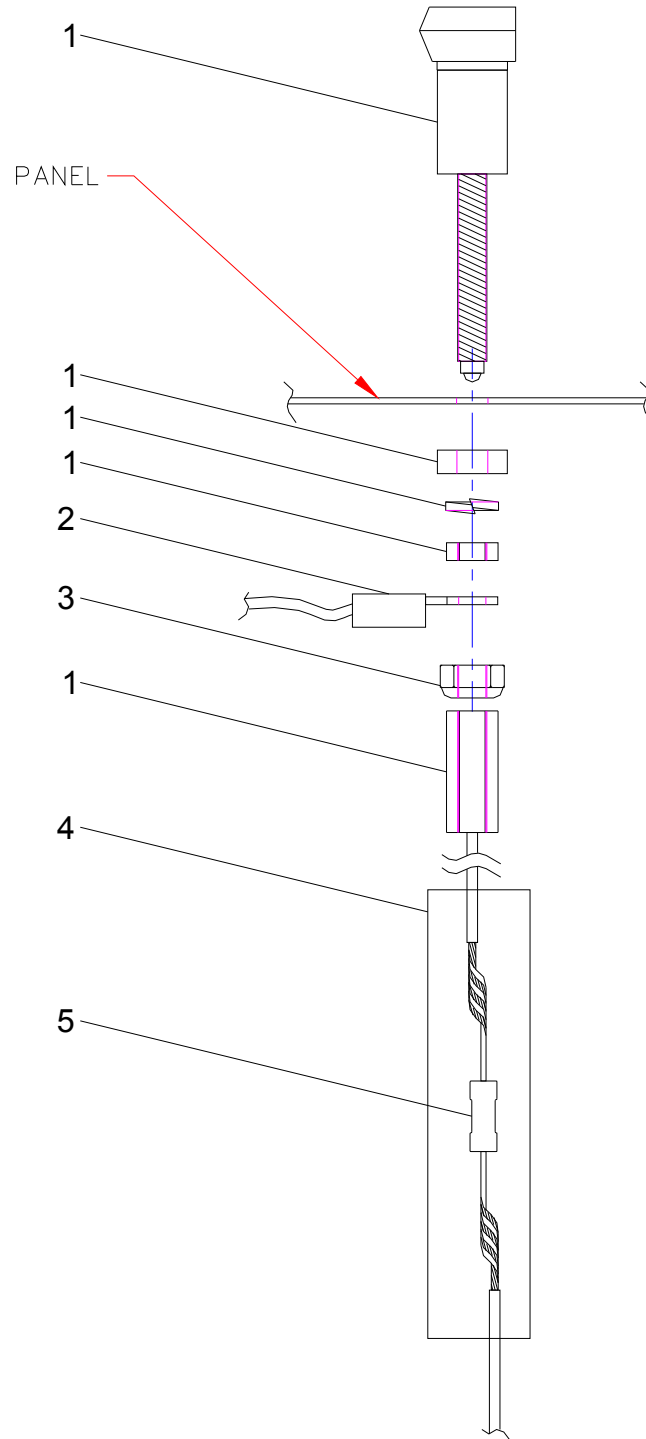


Figure 1  
Attenuated Post Light Assembly

Figure And Index Number	GROUP <b>Lights</b>		Effect.	Vendor Ident.	Units Per Assy
	MAJOR ASSEMBLY <b>Cockpit Light</b>				
	PART No.	DESCRIPTION			
1-	No Number	Cockpit Light Circuit			
-1	MS3320-1	Circuit Breaker 1 Ampere			1
-2	MS24523-22	SPST Switch			1
-3	S1990/24	Cockpit Light		SOD	1

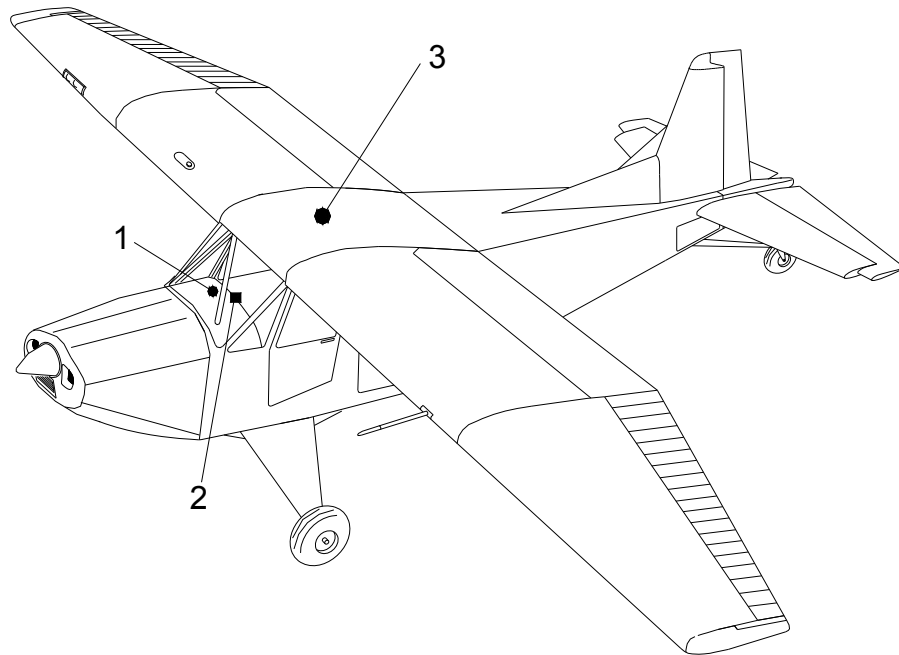
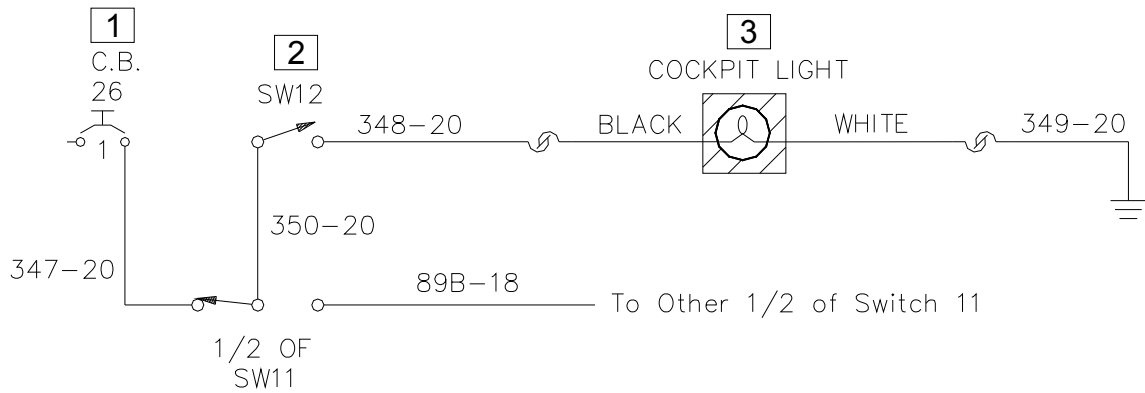


Figure 1  
Cockpit Light Circuit



Figure And Index Number	GROUP <b>Lights</b>		Effect.	Vendor Ident.	Units Per Assy
	MAJOR ASSEMBLY <b>Navigation Lights</b>				
	PART No.	DESCRIPTION			
1-	No Number	Navigation Lights			
-1	MS3320-10	Circuit Breaker 10 Ampere		TIN	1
-2	No Number	Harness Connector			1
		Socket Housing		AMP	2
		Sockets		AMP	4
-3	No Number	Light Connector			2
		Pin Housing		AMP	4
		Pins		AMP	4
-4	01-0790006-03	Port Wing Tip Light Assembly	40	WHL	1
-5	01-0790006-01	Starboard wing Tip Light Assembly	40	WHL	1
-6	MS24523-22	SPST Switch			1

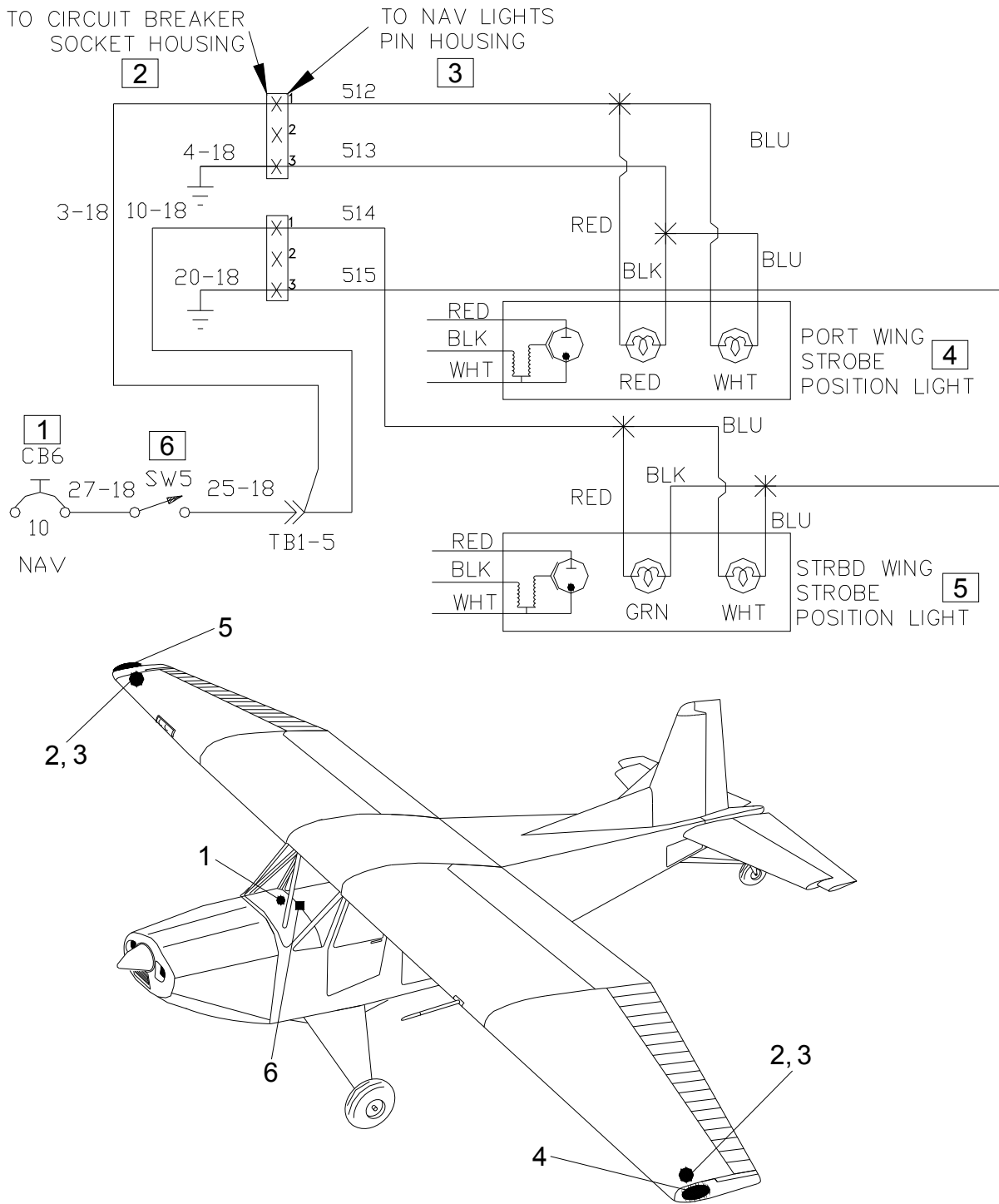


Figure 1  
Navigation Lights

Figure And Index Number	GROUP <b>Lights</b>		Effect.	Vendor Ident.	Units Per Assy
	MAJOR ASSEMBLY <b>Landing &amp; Taxi Lights (2C1/2C2)</b>				
	PART No.	DESCRIPTION			
1-	No Number	Landing Light			
-1	MS3320-5	Circuit Breaker 5 Ampere		TIN	1
-2	MS24523-22	SPST Switch			1
-3	4591	Lamp, 100 Watts, 28Vdc		GNE	1

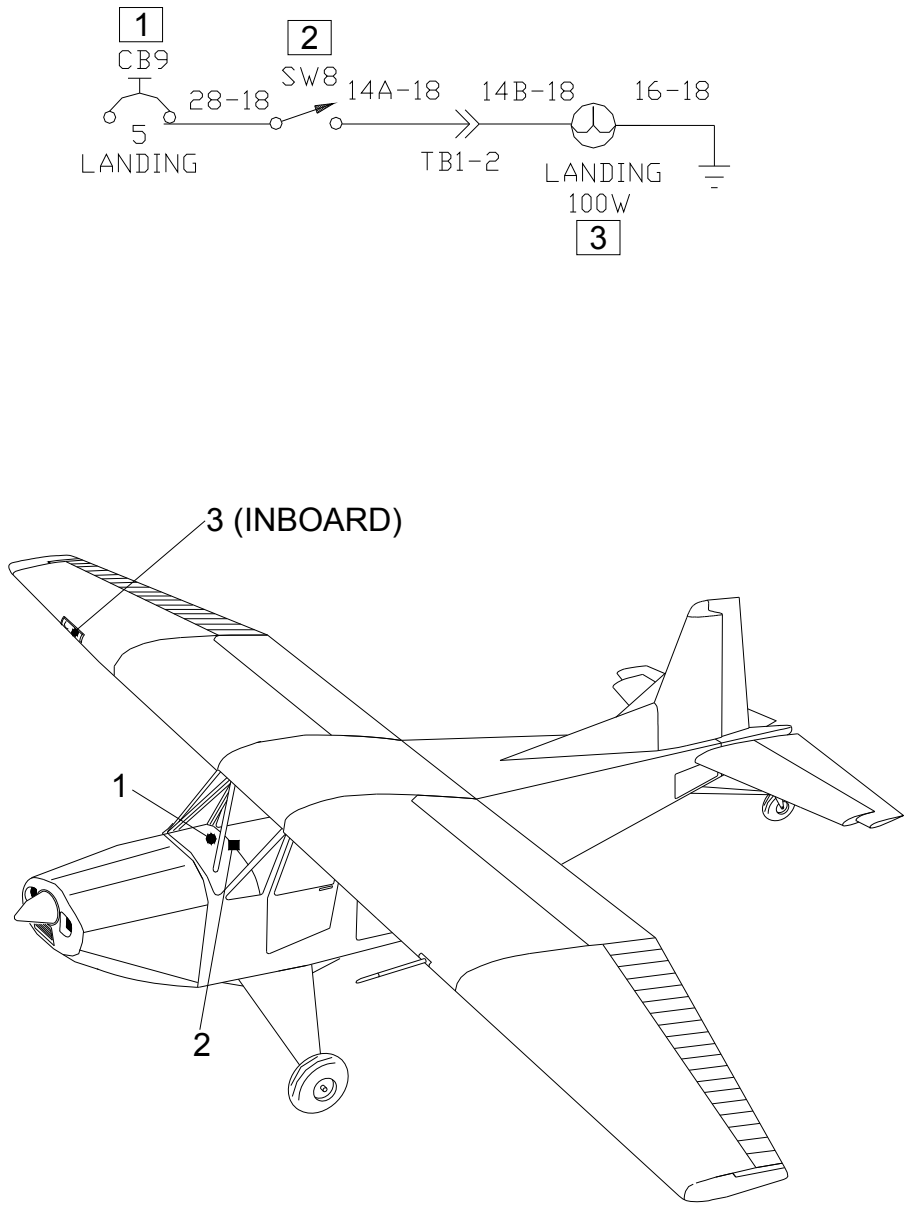


Figure 1  
Landing Light (2C1/2C2)

Figure And Index Number	GROUP <b>Lights</b>		Effect.	Vendor Ident.	Units Per Assy
	MAJOR ASSEMBLY <b>Landing &amp; Taxi Lights (2C1/2C2)</b>				
	PART No.	DESCRIPTION			
2-	No Number	Taxi Light			
-1	MS3320-5	Circuit Breaker 5 Ampere		TIN	1
-2	MS24523-22	SPST Switch			1
-3	4505	Lamp, 50 Watt 28 Vdc		GNE	1

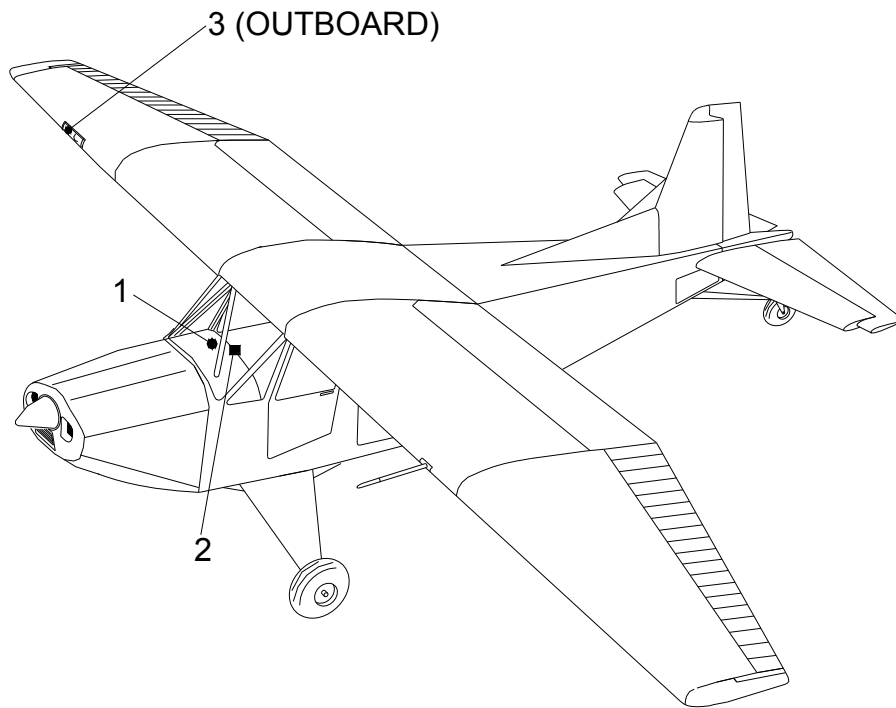
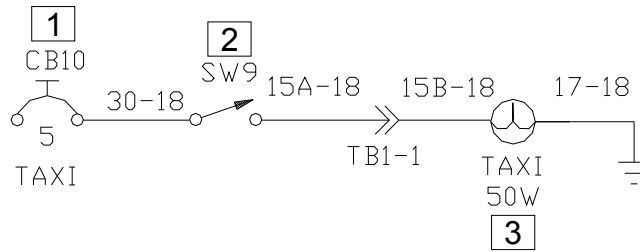


Figure 2  
Taxi Light (2C1/2C2)

Figure And Index Number	GROUP <b>Electrical Power</b>		Effect.	Vendor Ident.	Units Per Assy
	MAJOR ASSEMBLY <b>HID Landing Light (2C3/2C4)</b>				
	PART No.	DESCRIPTION			
3- -1	N2381 020H0102-1	HID Landing Light System Installation Ballast Output Power Cable			1

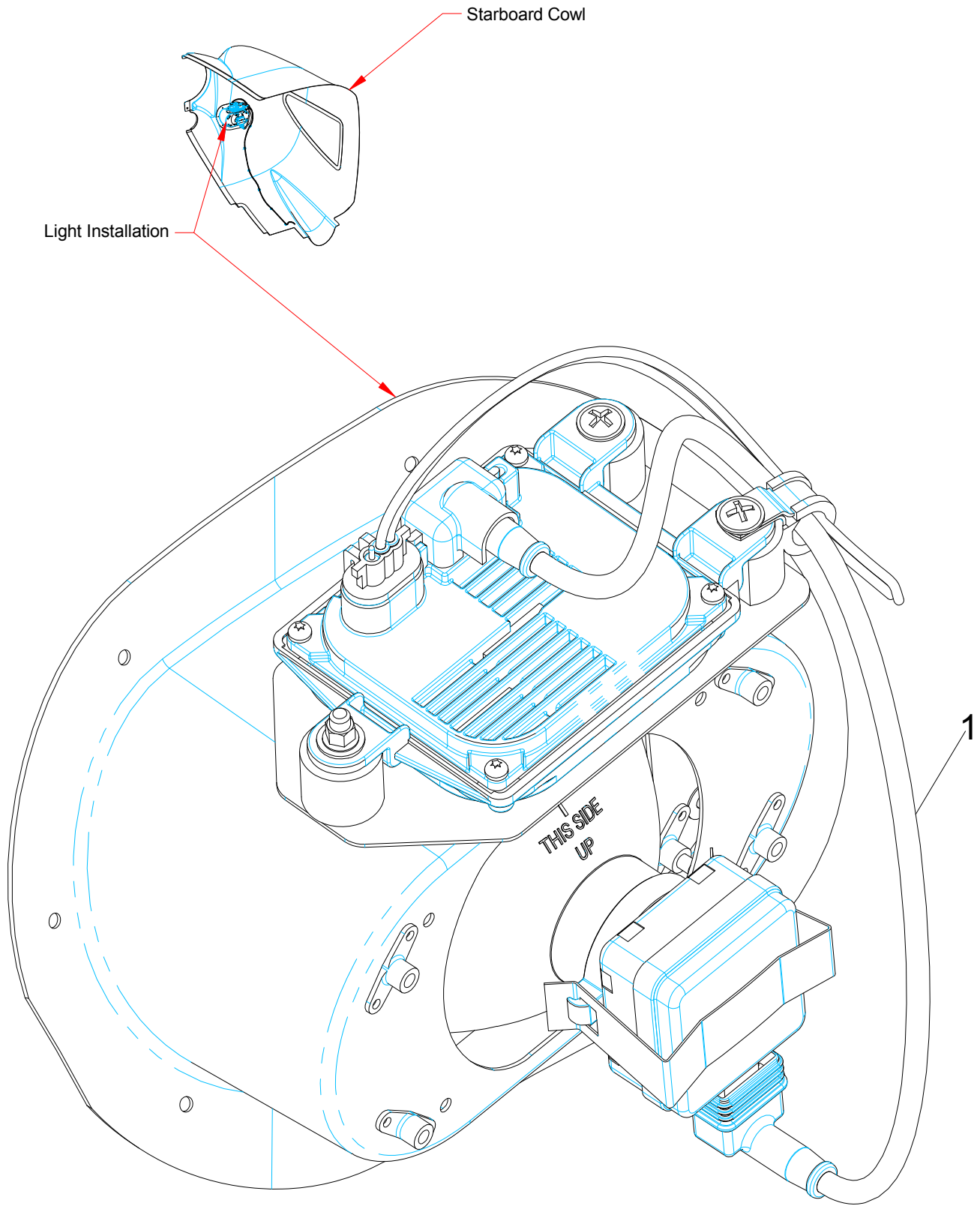


Figure 3 (Sheet 1)  
HID Landing Light (2C3/2C4)



Figure And Index Number	GROUP <b>Electrical Power</b>		Effect.	Vendor Ident.	Units Per Assy
	MAJOR ASSEMBLY <b>HID Landing Light (2C3/2C4)</b>				
	PART No.	DESCRIPTION			
3-	N2381	HID Landing Light System Installation	300		1
-2	020H0102-1	Ballast Output Power Cable		PRF	1
-3	4832000	Bulb/Starter HID (Osram/Sylvania)		JWS	1
	Or				
	D1S	Bulb/Starter HID (Osram/Sylvania)		PRF	
-4	MS35206-234	Screw			8
-5	AN960-6L	Washer			12
-6	L2141	Plate		FAC	1
-7	MS21047L06	Anchor Nut			8
-8	B-643	Spring		SPN	4

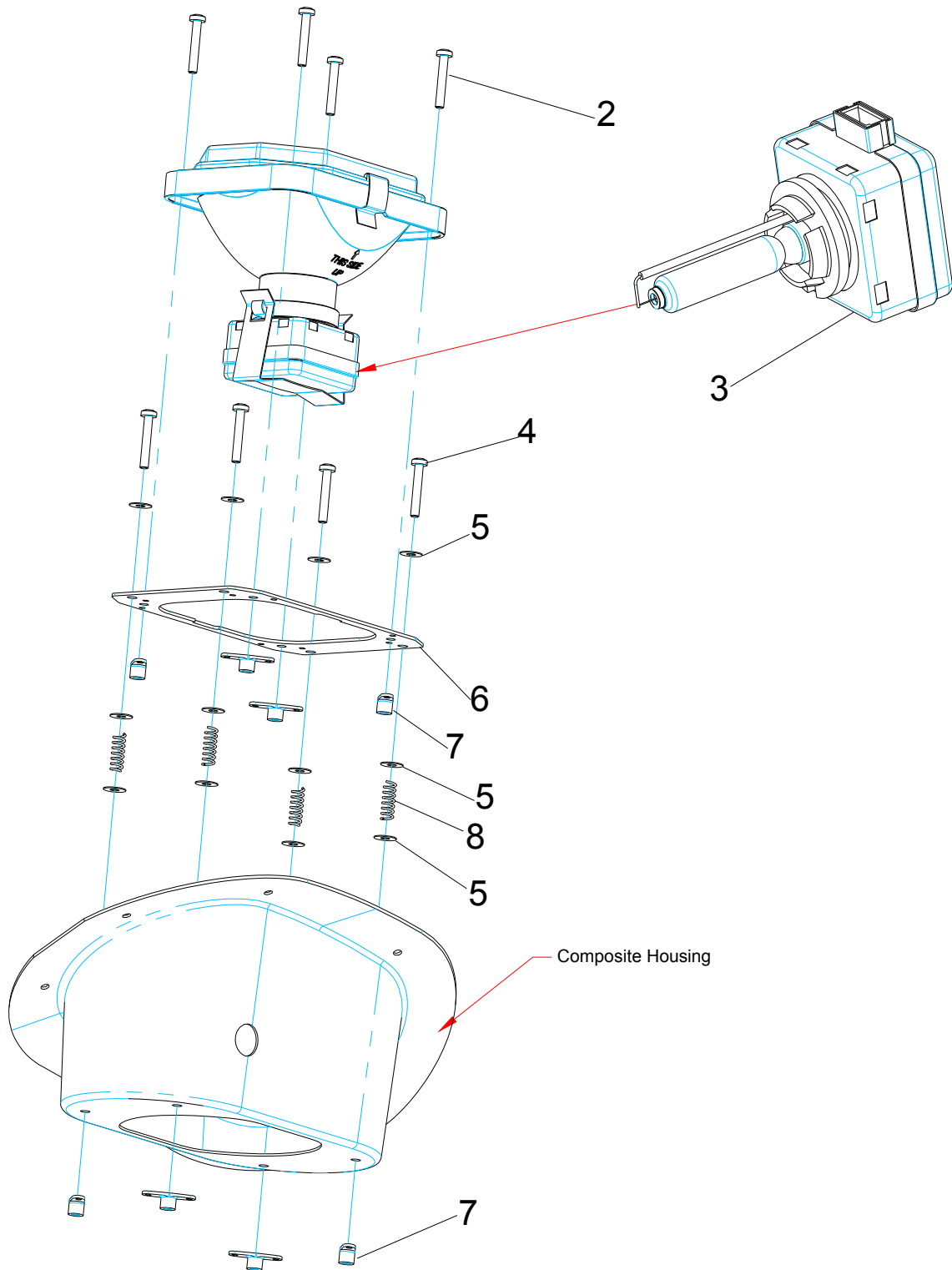


Figure 3 (Sheet 2)  
HID Landing Light

Figure And Index Number	GROUP <b>Electrical Power</b>		Effe ct.	Vendor Ident.	Units Per Assy
	MAJOR ASSEMBLY <b>HID Landing Light (2C3/2C4)</b>				
	PART No.	DESCRIPTION			
3-	N2381	HID Landing Light System Installation			
-9	AN960-10	Washer			1
-10	MS21042-3	Nut			1
-11	AN525-10R18	Screw			3
-12	MS21919WCJ6	Adel Clamp			1
-13	020H5002-1	Ballast		PRF	1
		Or			
	6600420	Ballast 24V-35W Osram Gen5 3-Tab		JWS	
-14	020H5003-1	Shock Mounts		PRF	3
-15	L2143	Plate		FAC	1
-16	MS21047-3	Nut Plate			2

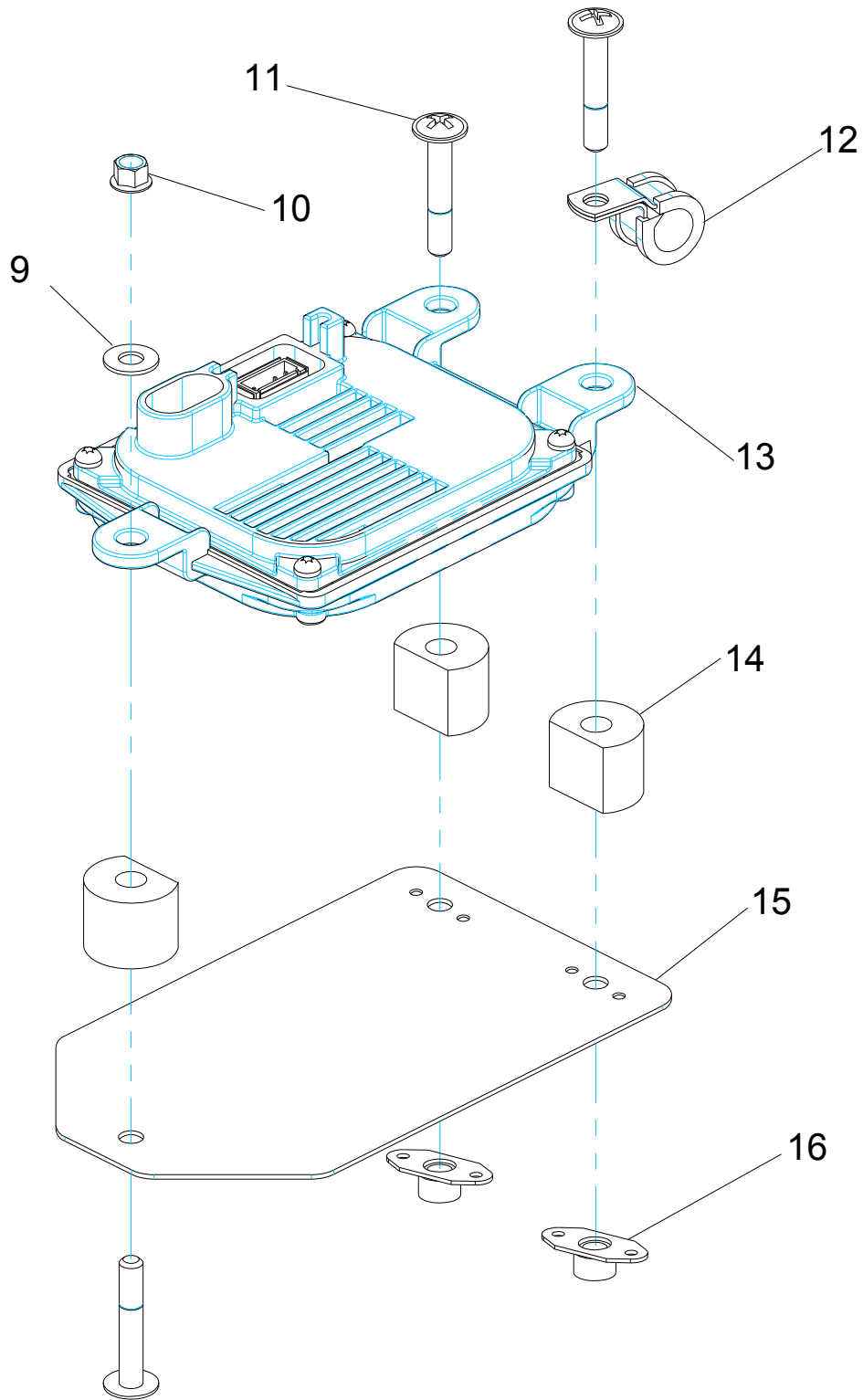


Figure 3 (Sheet 3)  
HID Landing Light

Figure And Index Number	GROUP <b>Lights</b>		Effect.	Vendor Ident.	Units Per Assy
	MAJOR ASSEMBLY <b>Strobe Lights</b>				
	PART No.	DESCRIPTION			
1-	No Number	Strobe Light			
-1	MS3320-5	Circuit Breaker 5 Ampere			1
-2	MS24523-22	SPST Switch			1
-3	No Number	Harness Connector			
	1-480305-0	Pin Housing			3
	60620-1	Pins			6
-4	01-0770028-5	Strobe Power Supply			1
-5	No Number	Harness Connector			2
	1-480303-0	Socket Housing			2
	60619-1	Sockets			4

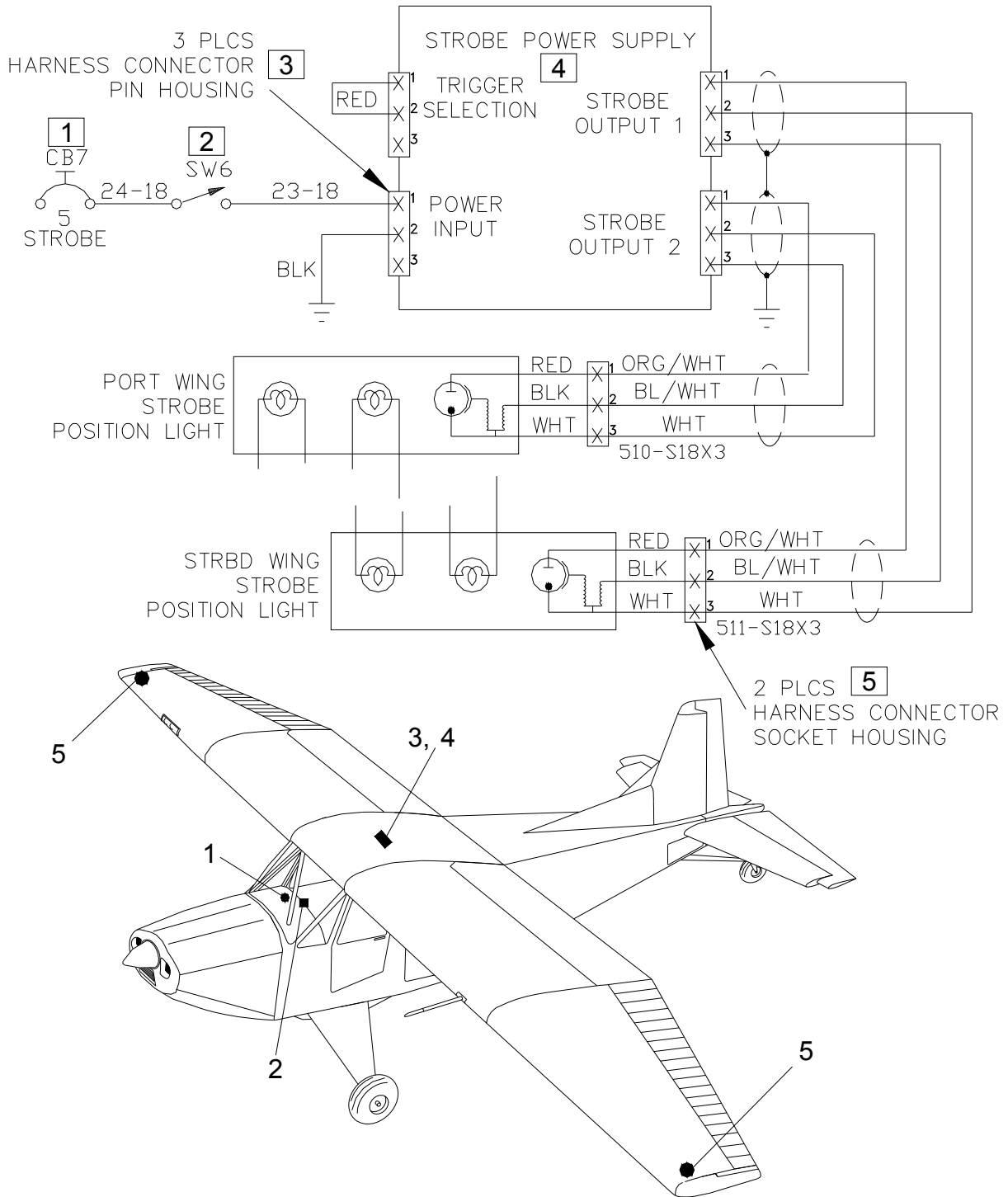


Figure 1  
Strobe Light