

CHAPTER 26

FIRE PROTECTION

List of Effective Pages

Chapter / Section	Page No.	Date
26-00	1	Jul 14, 2011
	2	Jul 14, 2011
26-24	1	Jul 14, 2011
	2	Jul 14, 2011
	3	Jul 14, 2011
	4	Jul 14, 2011

Chapter / Section	Page No.	Date

Figure And Index Number	GROUP Fire Protection		Effect.	Vendor Ident.	Units Per Assy
	MAJOR ASSEMBLY Fire Extinguisher Mounting Bracket, Non Adjustable Seats				
	PART No.	DESCRIPTION			
1-	Z10-1	Fire Extinguisher Installation			
-1	Z10-2	Plate			1
-2	2.5 1A10BC	Fire Extinguisher & Mounting Brkt			1
-3	MS21919WH6	Loop Clamp, Cushioned (Adel Clamp)			2
-4	MS21919WH8	Loop Clamp, Cushioned (Adel Clamp)			2
-5	AN526C1032R8	Screw, 3/16 Dia.			8
-6	AN960-10L	Washer, Plain Flat, 3/16 Dia.			4
-7	MS21083N3	Nut, Self Locking, Hexagon, 3/16 Dia.			8

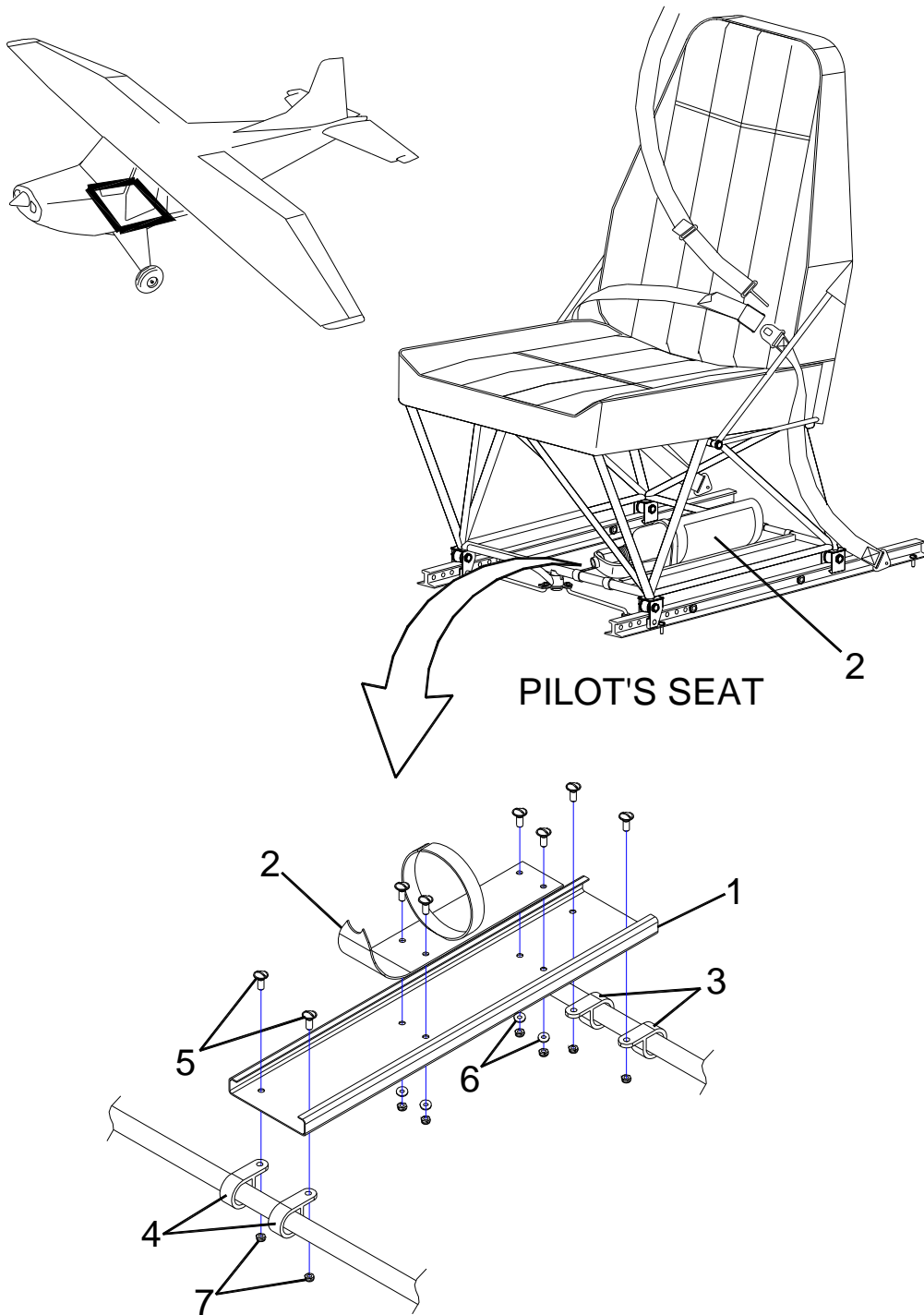
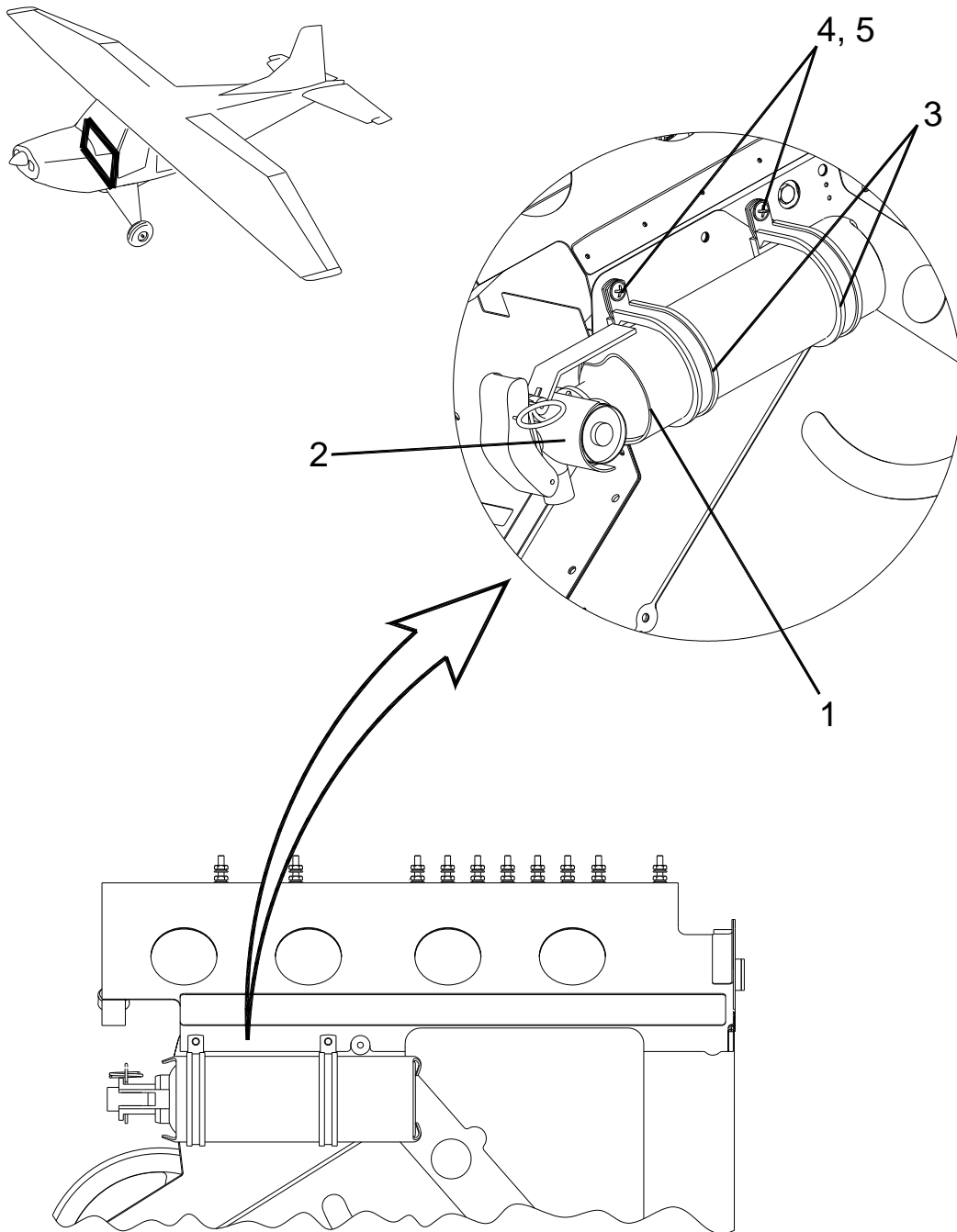


Figure 1
Fire Extinguisher Mounting Bracket,
Non Adjustable Seats

Figure And Index Number	GROUP Fire Protection		Effect.	Vendor Ident.	Units Per Assy
	MAJOR ASSEMBLY Console Mounted Fire Extinguisher				
	PART No.	DESCRIPTION			
2-	N227	RT A600 Fire Extinguisher Installation			
-1	F1181	Mounting Tube			1
-2	RT A600	Fire Extinguisher		H3R	1
-3	MS21919WDG44	Adel Clamp			2
-4	NAS1149FN332P	Washer			2
-5	AN525-832R9	Screw			2



VIEW ON RIGHT HAND SIDE
(STBD. SIDE) OF CONSOLE

Figure 2
Console Mounted Fire Extinguisher.