

# **CHAPTER 24**

# **ELECTRICAL POWER**

### List of Effective Pages

Chapter / Section	Page No.	Date
24-00	1	Jul 14, 2011
	2	Jul 14, 2011
24-30	1	Jul 14, 2011
	2	Jul 14, 2011
	3	Jul 14, 2011
	4	Jul 14, 2011
	5	Jul 14, 2011
	6	Jul 14, 2011
24-33	1	Jul 14, 2011
	2	Jul 14, 2011
	3	Jul 14, 2011
	4	Jul 14, 2011

Chapter / Section	Page No.	Date

Figure And Index Number	GROUP <b>Electrical Power</b>		Effect.	Vendor Ident.	Units Per Assy
	MAJOR ASSEMBLY	<b>Master Relay Circuit</b>			
	PART No.	DESCRIPTION			
1-	No Number	Master Relay Circuit			
-1	MS24523-22	SPST Switch			1
-2	SM100D2	Relay, 100 Ampere		ECH	1
-3	No Number	Fuse Assembly			1
	342-014	Fuse Holder		LTF	1
	AGC5	Fuse 5 Ampere		BSM	1
-4	No Number	Fuse Link Assembly			1
	E4164	Fuse Holder		BSM	1
	ANL80	Fuse Link 80 Ampere		BSM	1
-5	L125	Copper Bus Link (Master/Start Relays)			1
-6	1N4007	Diode			1
-7	G243	Gill Battery, Lead Acid 24 Volt		GIL	1
	Or	Or			
	RG24-15M	Concord Battery, Lead Acid 24 Volt		CON	1

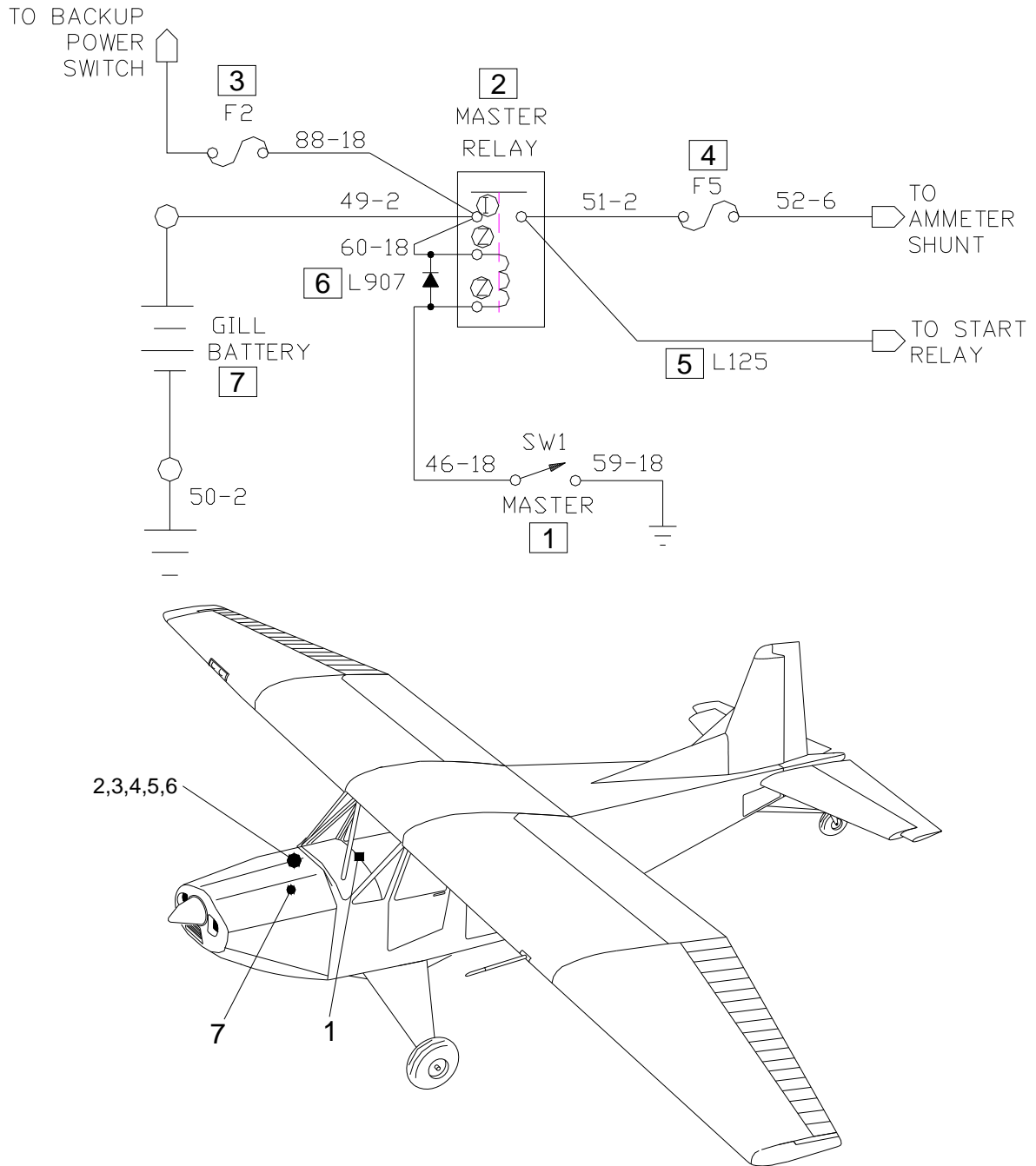


Figure 1  
Master Relay Circuit

Figure And Index Number	GROUP <b>Electrical Power</b>		Effect.	Vendor Ident.	Units Per Assy
	MAJOR ASSEMBLY	<b>DC Generation and Regulation</b>			
	PART No.	DESCRIPTION			
2-	No Number	DC Generation and Regulation Circuits			
-1	32C19553	Alternator, 24 Vdc, 70 Ampere (See Lycoming SI 1154)		LYC	1
-2	VR515GA	Regulator, 28 Vdc		ELS	1
-3	No Number	Fuse Assembly			1
	342-014	Fuse Holder		LTF	1
	AGC5	Fuse, 5 Ampere			1
-4	No Number	Fuse Link Assembly			1
	E4164	Fuse Holder		BSM	1
	ANL80	Fuse Link 80 Ampere		BSM	1
-5	No Number	Circular Connector Assembly			1
	207575-1	Connector Housing		AMP	1
	66399-3	Pins		AMP	6
-6	No Number	Low Voltage Light Assembly			1
	101-3830-09-201	Lamp Base		DIL	1
	140-1471	Lens, Red		DIL	1
	327	Lamp, (28 Vdc)		CML	1
-7	No Number	Over Voltage Light Assembly			1
	101-3830-09-201	Lamp Base		DIL	1
	140-1471	Lens, Red		DIL	1
	327	Lamp, (28 Vdc)		CML	1
-8	MS24523-22	SPST Switch			1
-9	MS3320-5	Circuit Breaker 5 Ampere		TIN	1
-10	MS3320-5	Circuit Breaker 5 Ampere		TIN	1

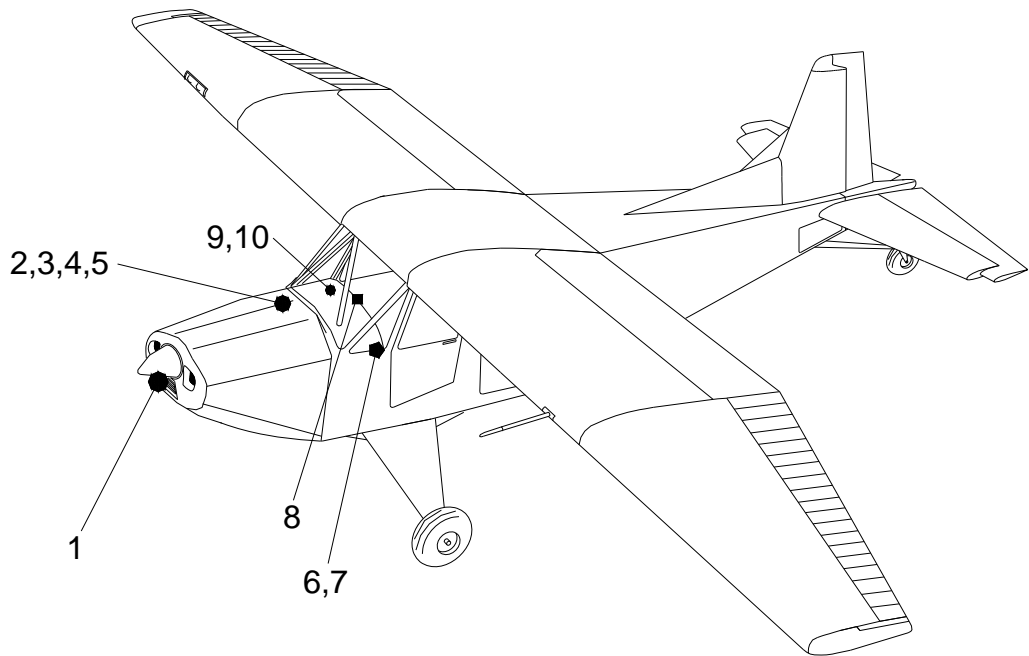
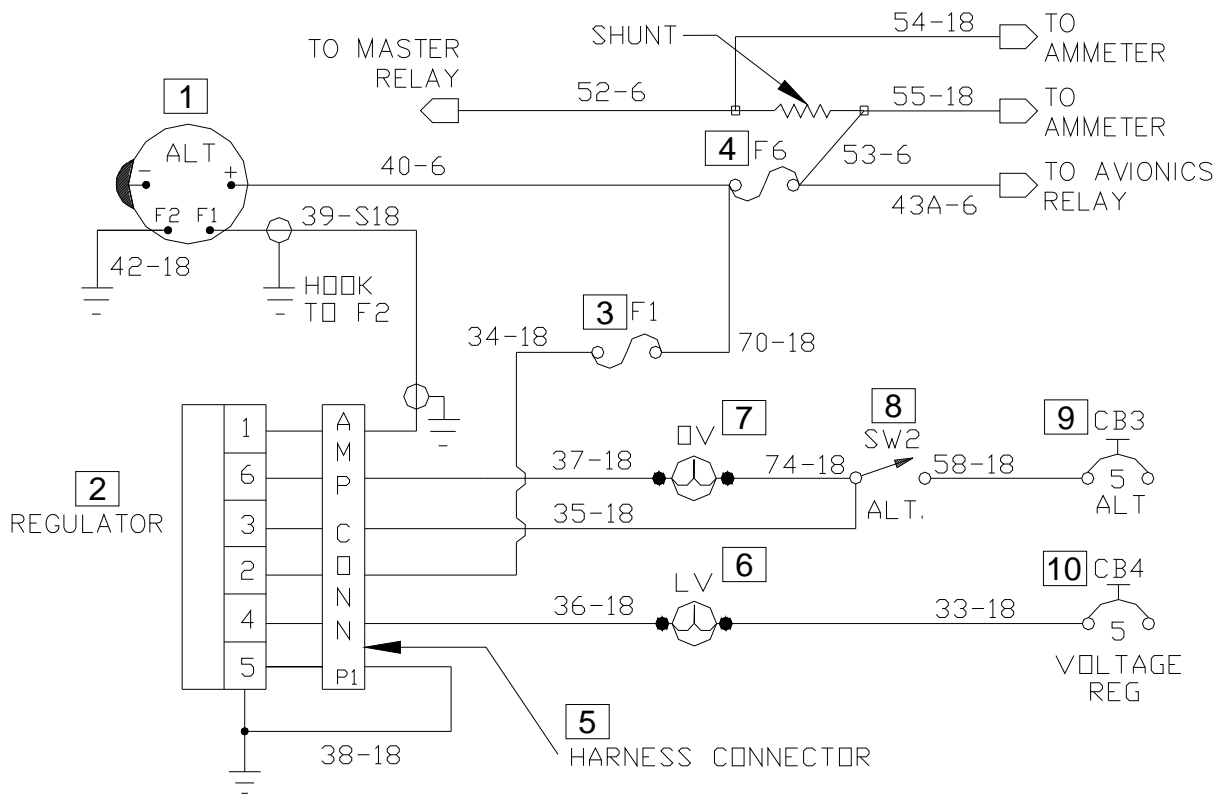


Figure 2  
DC Generation and Regulation

Figure And Index Number	GROUP <b>Electrical Power</b>		Effect.	Vendor Ident.	Units Per Assy
	MAJOR ASSEMBLY	<b>Avionics Relay Circuits</b>			
	PART No.	DESCRIPTION			
3-	No Number	Avionics Relay Installation			
-1	MS24523-22	SPST Switch			1
-2	6041H201	SPST Relay		ECH	1
-3	1N4007	Diode			1

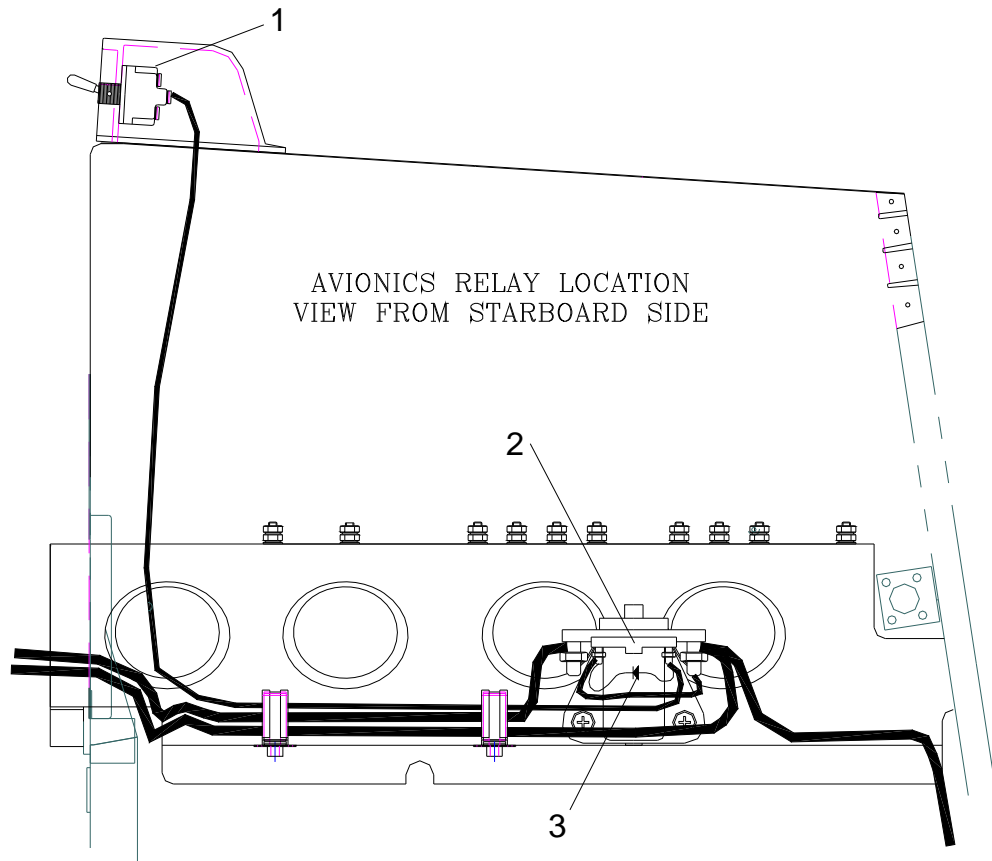
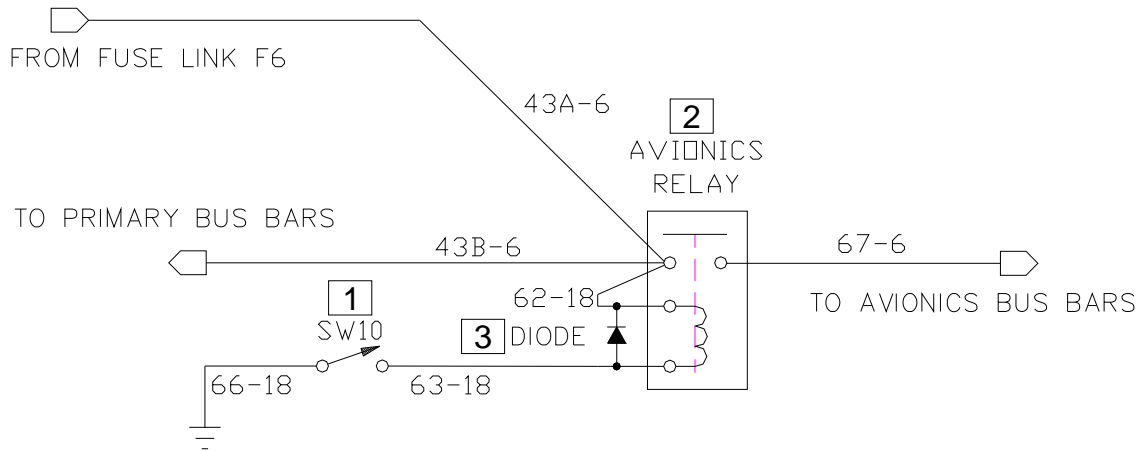


Figure 3  
Avionics Relay Circuit



Figure And Index Number	GROUP <b>Electrical Power</b>		Effect.	Vendor Ident.	Units Per Assy
	MAJOR ASSEMBLY <b>12 Volt Aux Power Plug (2C1/2C2)</b>				
	PART No.	DESCRIPTION			
1-	No Number	12 Volt Aux Power Plug Circuit			
-1	MS3320-5	Circuit Breaker 5 Ampere		TIN	1
-2	12 VRC	12 Volt Power Plug		MAR	1
-3	ST120	24 Vdc To 12 Vdc Converter		STB	1

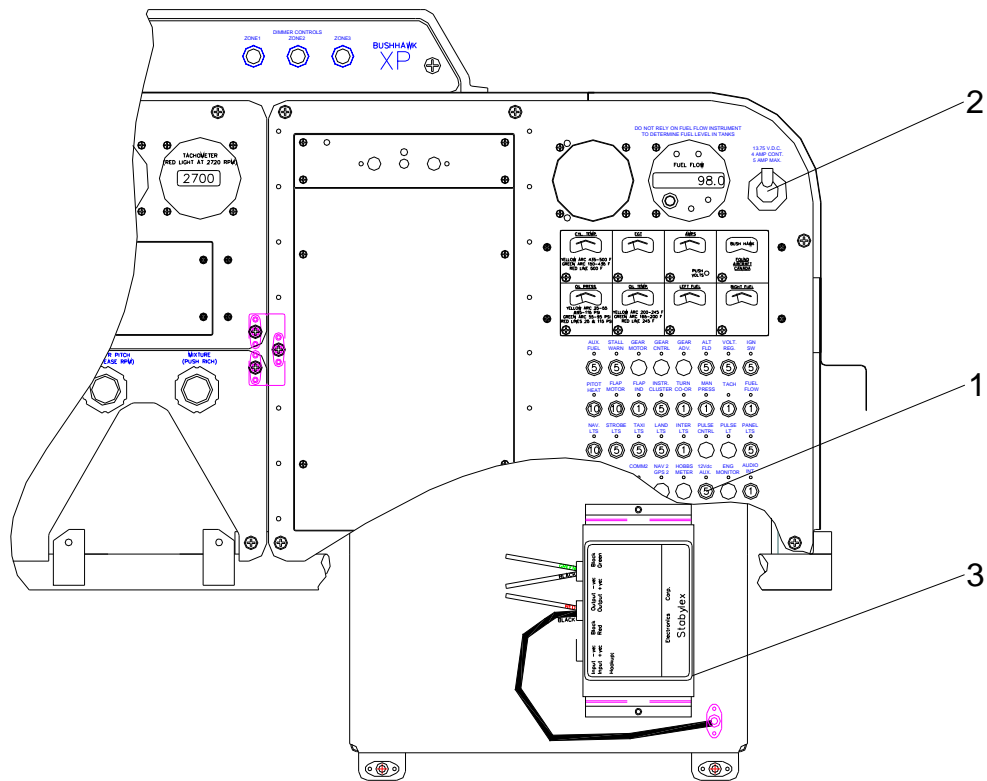
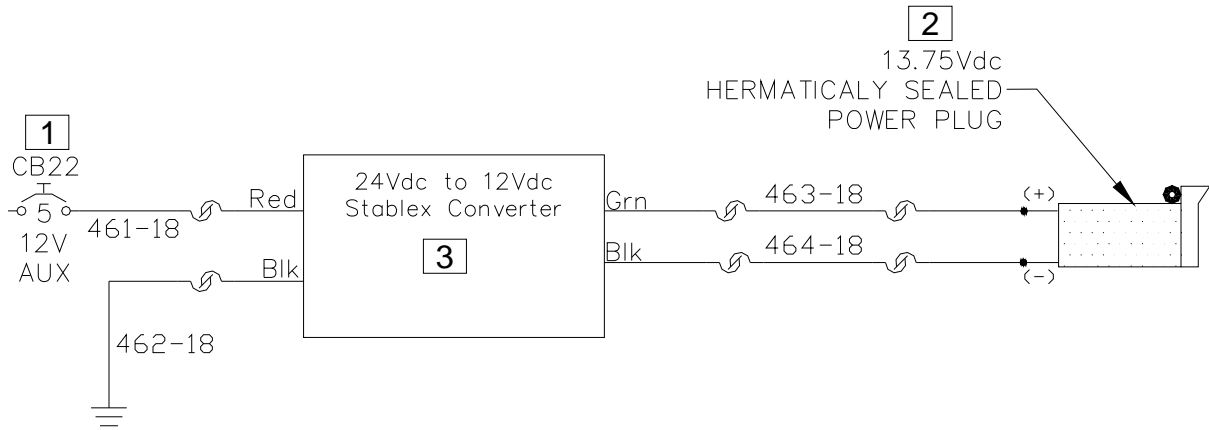


Figure 1  
12 Volt Auxiliary Power Plug (2C1/2C2)

Figure And Index Number	GROUP <b>Electrical Power</b>		Effect.	Vendor Ident.	Units Per Assy
	MAJOR ASSEMBLY <b>12 Volt Aux Power Plugs (2C3/2C4)</b>				
	PART No.	DESCRIPTION			
2-	No Number	12 Volt Aux Power Plug Circuit			
-1	MS3320-10	Circuit Breaker 10 Ampere		TIN	1
-2	12 VRC	12 Volt Power Socket		MAR	2
-3	N2412-12	24 Vdc To 12 Vdc Converter		AST	1

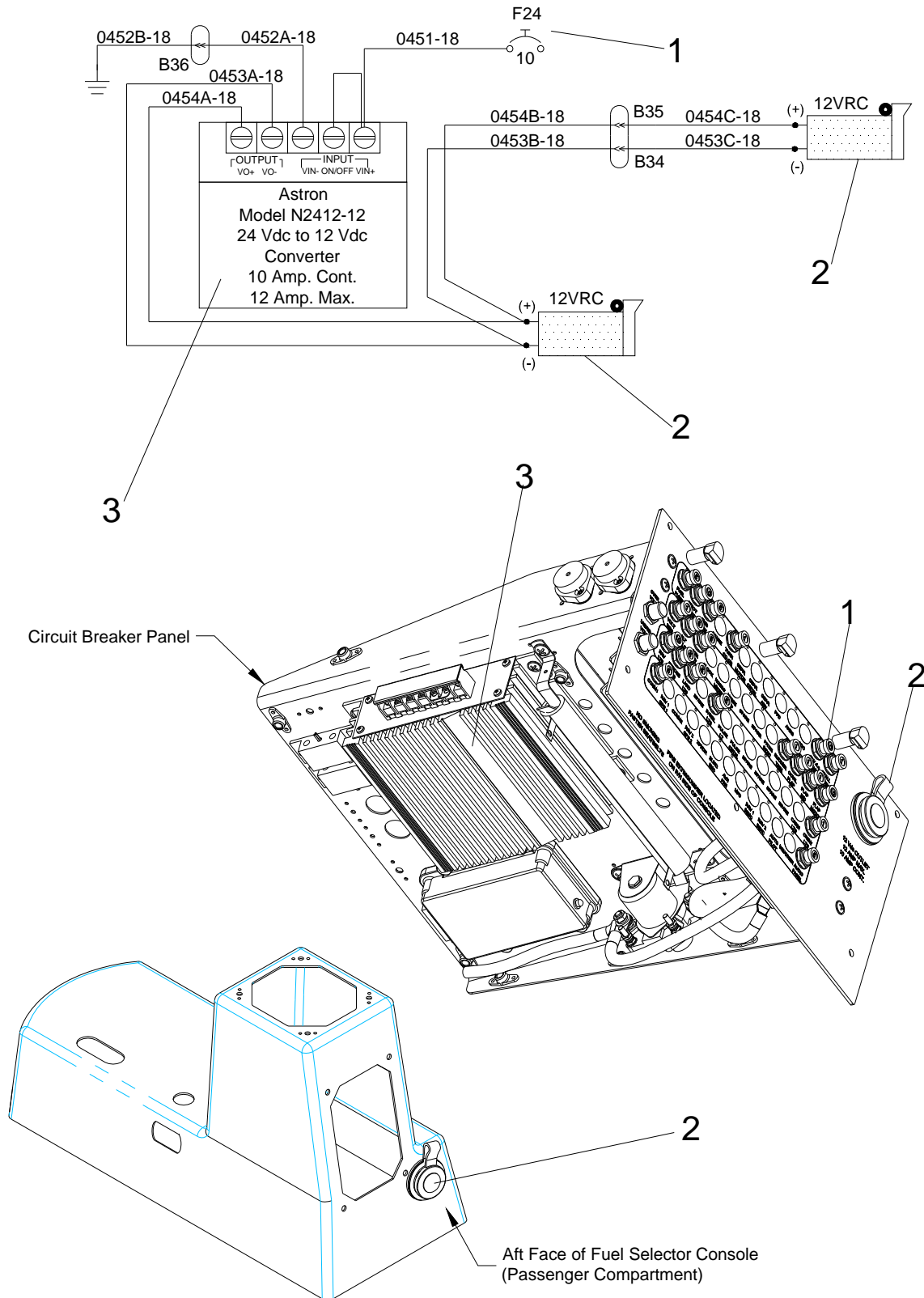


Figure 2  
12 Volt Auxiliary Power Plugs (2C3/2C4)